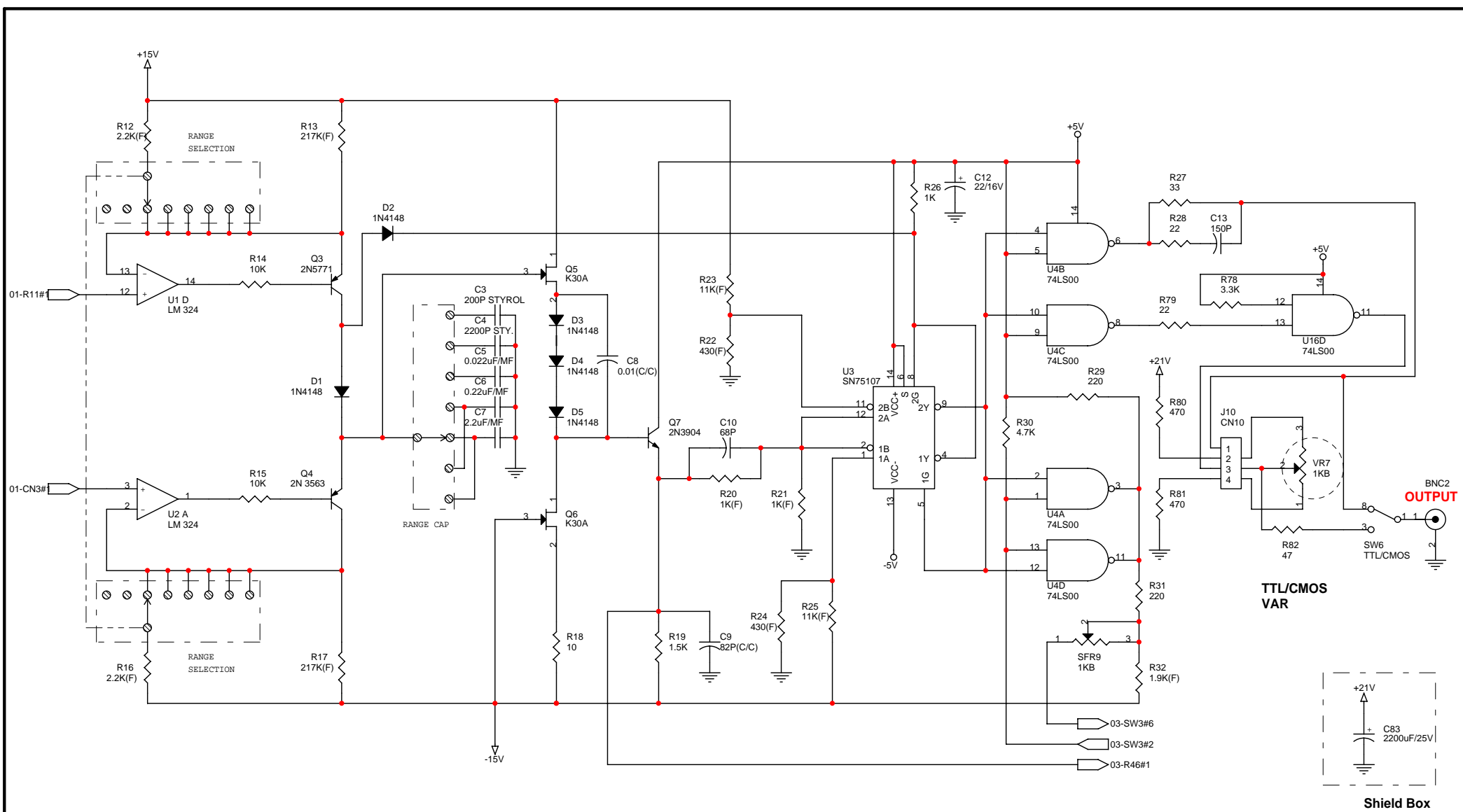
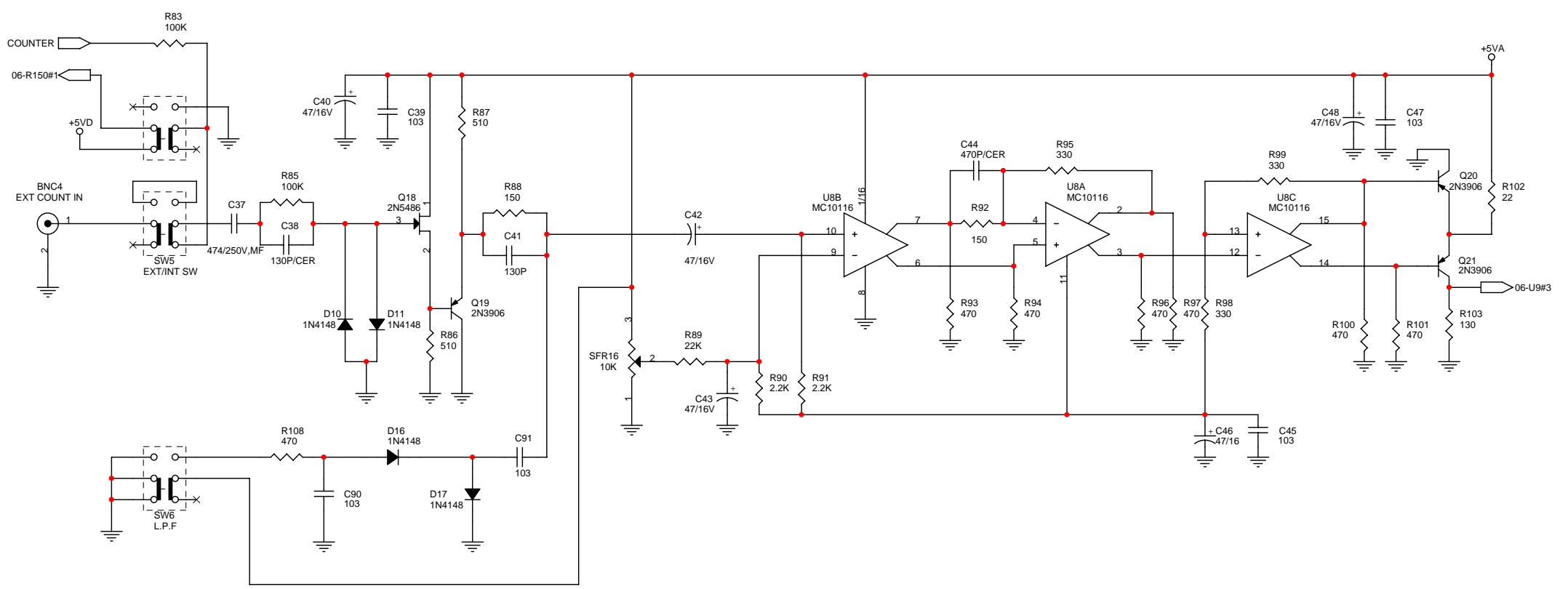


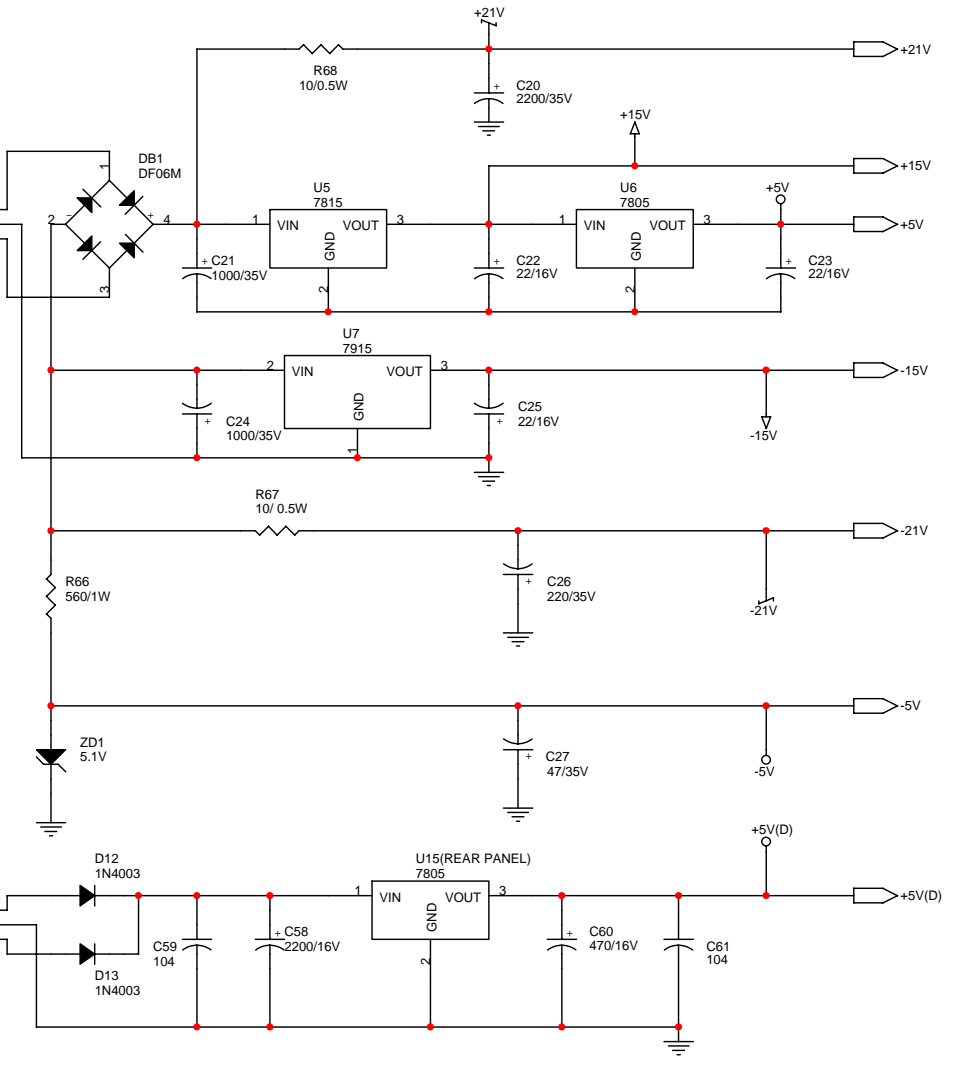
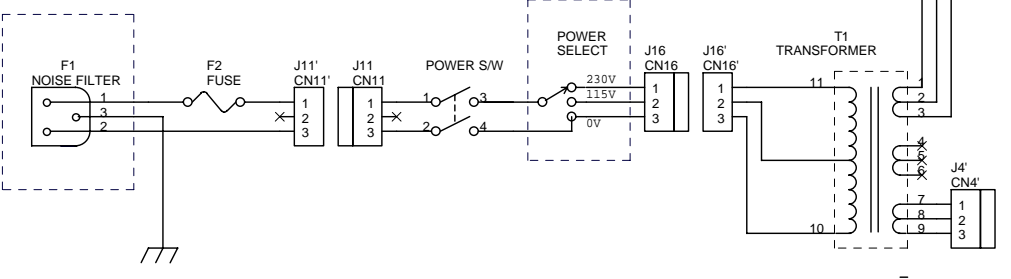
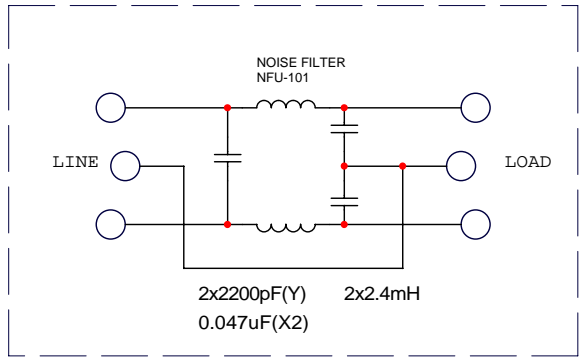
Title		Drawing	Design	Checked	Approved
Model VCF IN CIRCUIT					
Size A4	Rev 02				
Sheet 1 of 6	Scale 2:1				
Date 2002/3/30					



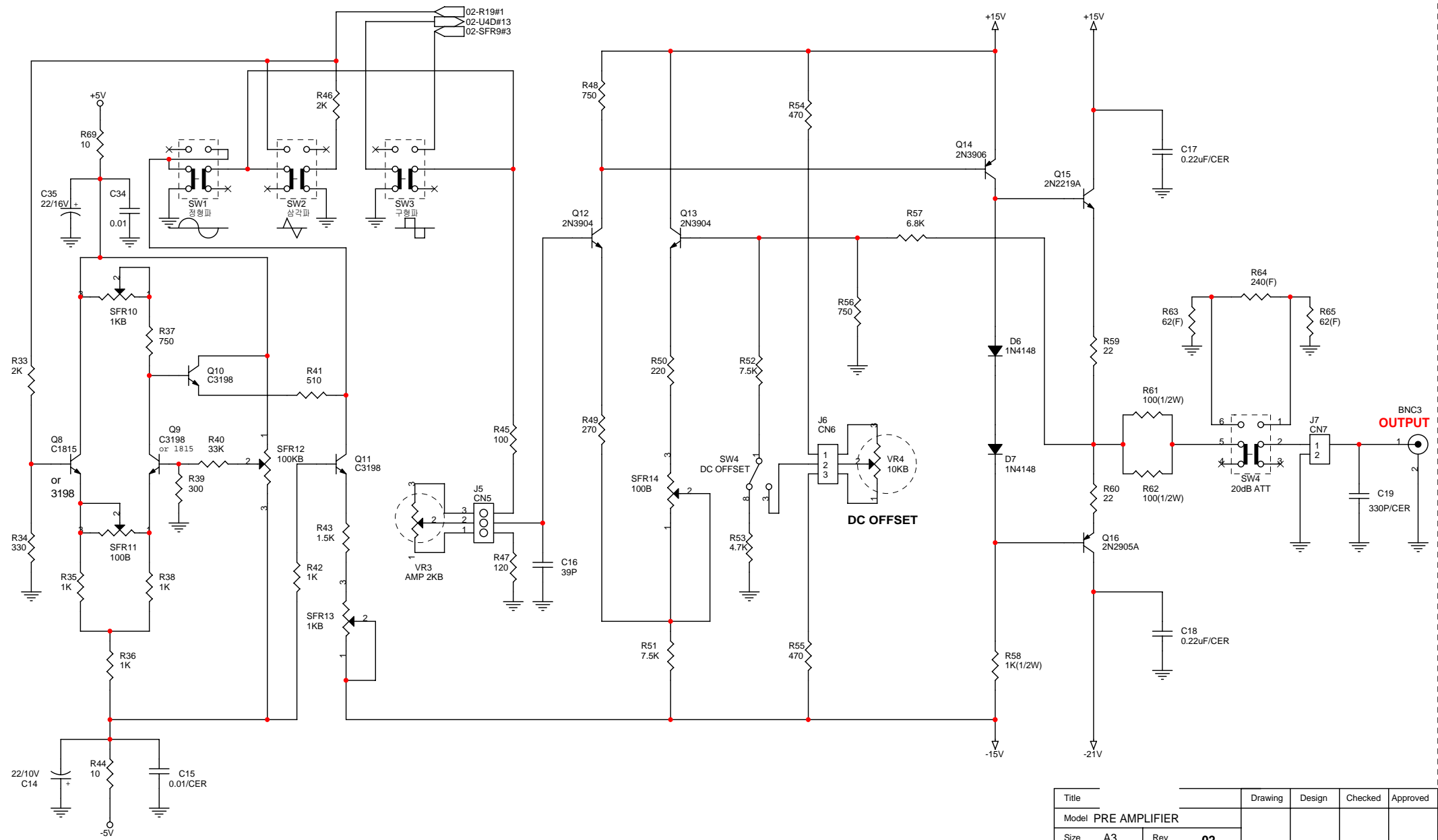
Title	Drawing			Design	Checked	Approved
Model	TTL/CMOS OUTPUT CIRCLE					
Size	A3	Rev	02			
Sheet	2 of 6	Scale	2:1			
Date	2002/3/30					



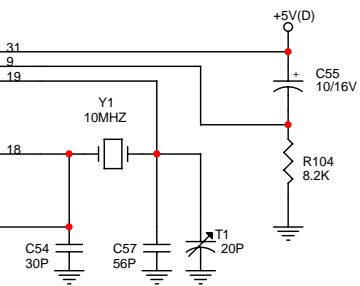
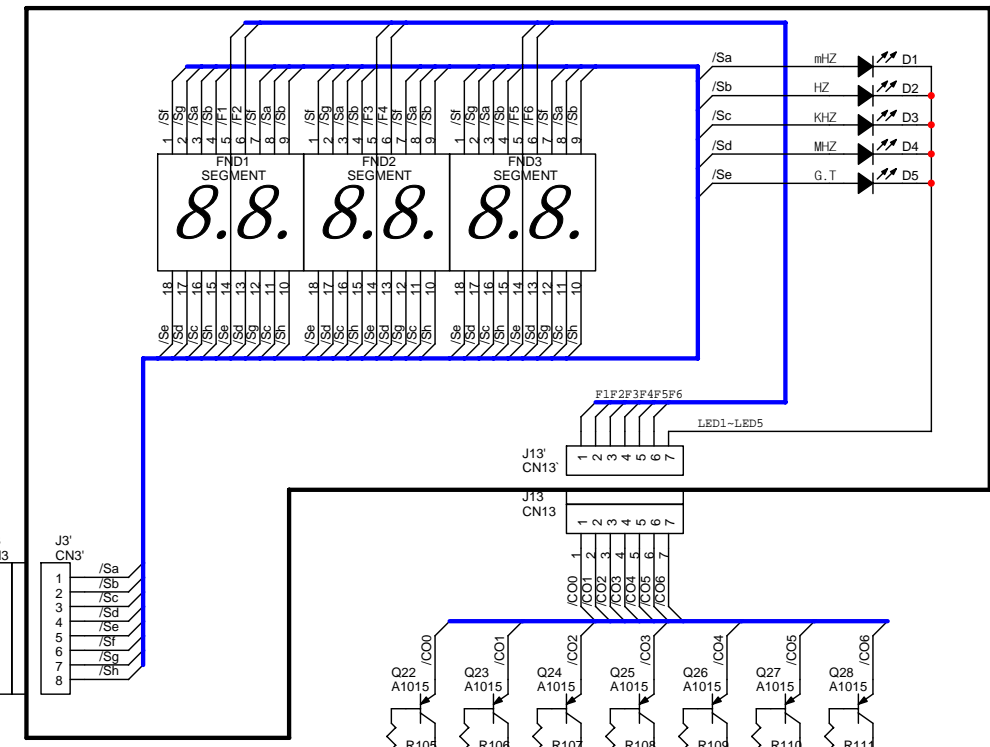
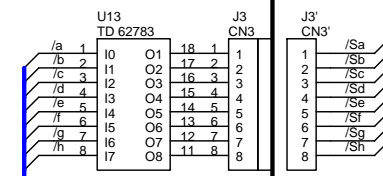
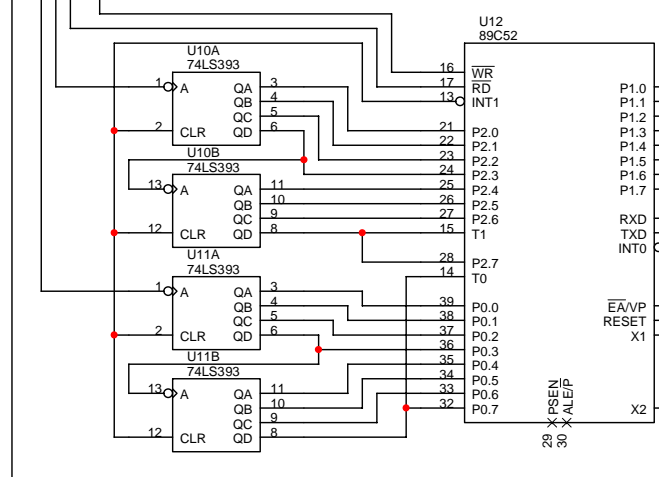
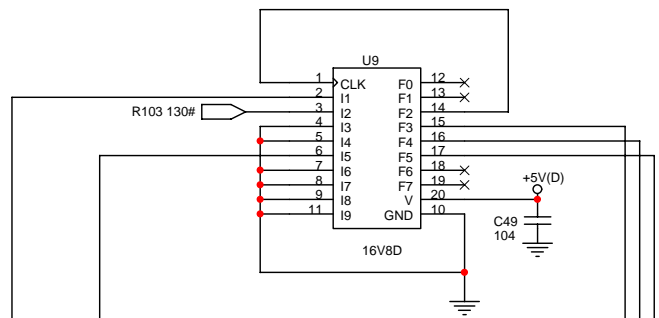
Title				Drawing	Design	Checked	Approved
Model	COUNTER PRE AMP						
Size	A3	Rev	02				
Sheet	5 of 6			Scale	2:1		
Date	2002/04/13						



Title				Drawing	Design	Checked	Approved
Model	POWER SUPPLY CIRCUIT						
Size	A4	Rev	02				
Sheet	4 of 6	Scale	2:1				
Date	2002/04/13						



Title		Drawing	Design	Checked	Approved
Model	PRE AMPLIFIER				
Size	A3	Rev	02		
Sheet	3 of 6	Scale	2:1		
Date	2002/04/13				



Title		Drawing	Design	Checked	Approved
Model CPU ,DISPLAY CIRCUIT					
Size	A3	Rev	02		
Sheet	6 of 6	Scale	2:1		
Date	2002/04/13				