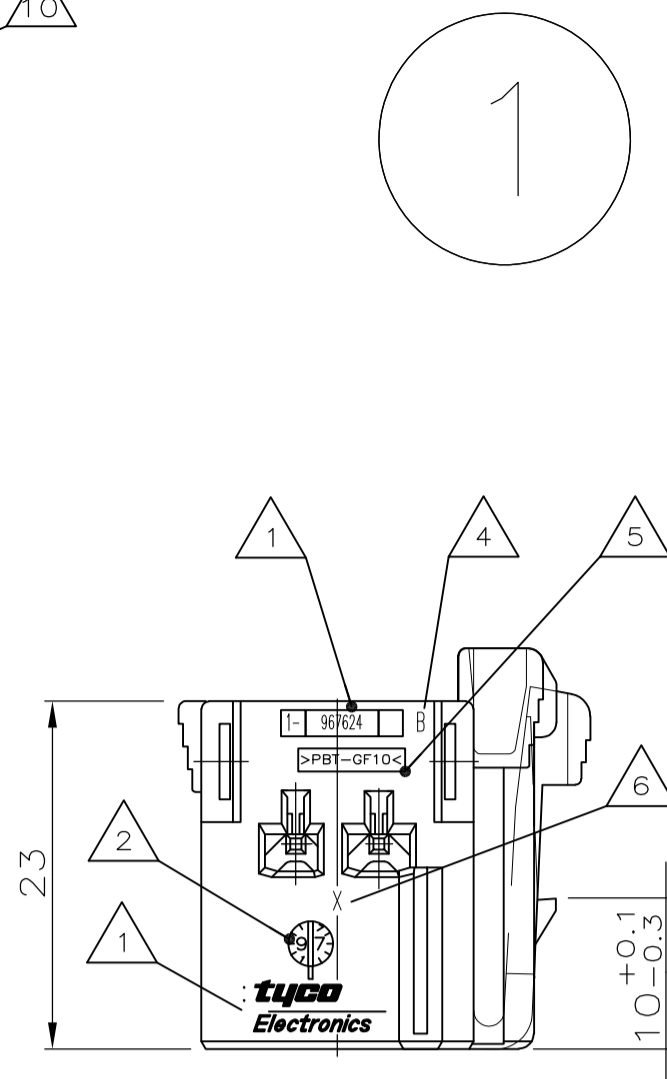
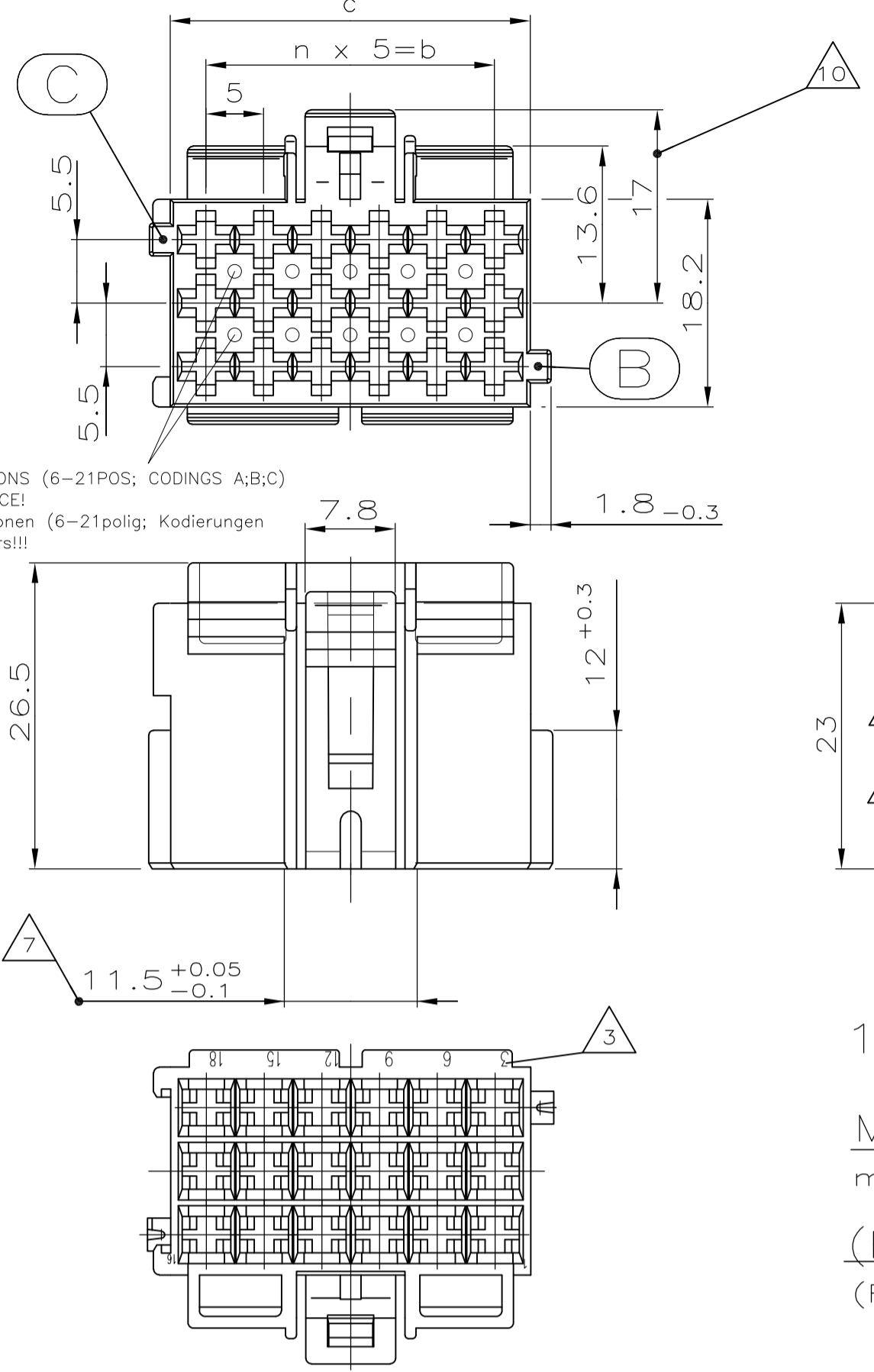


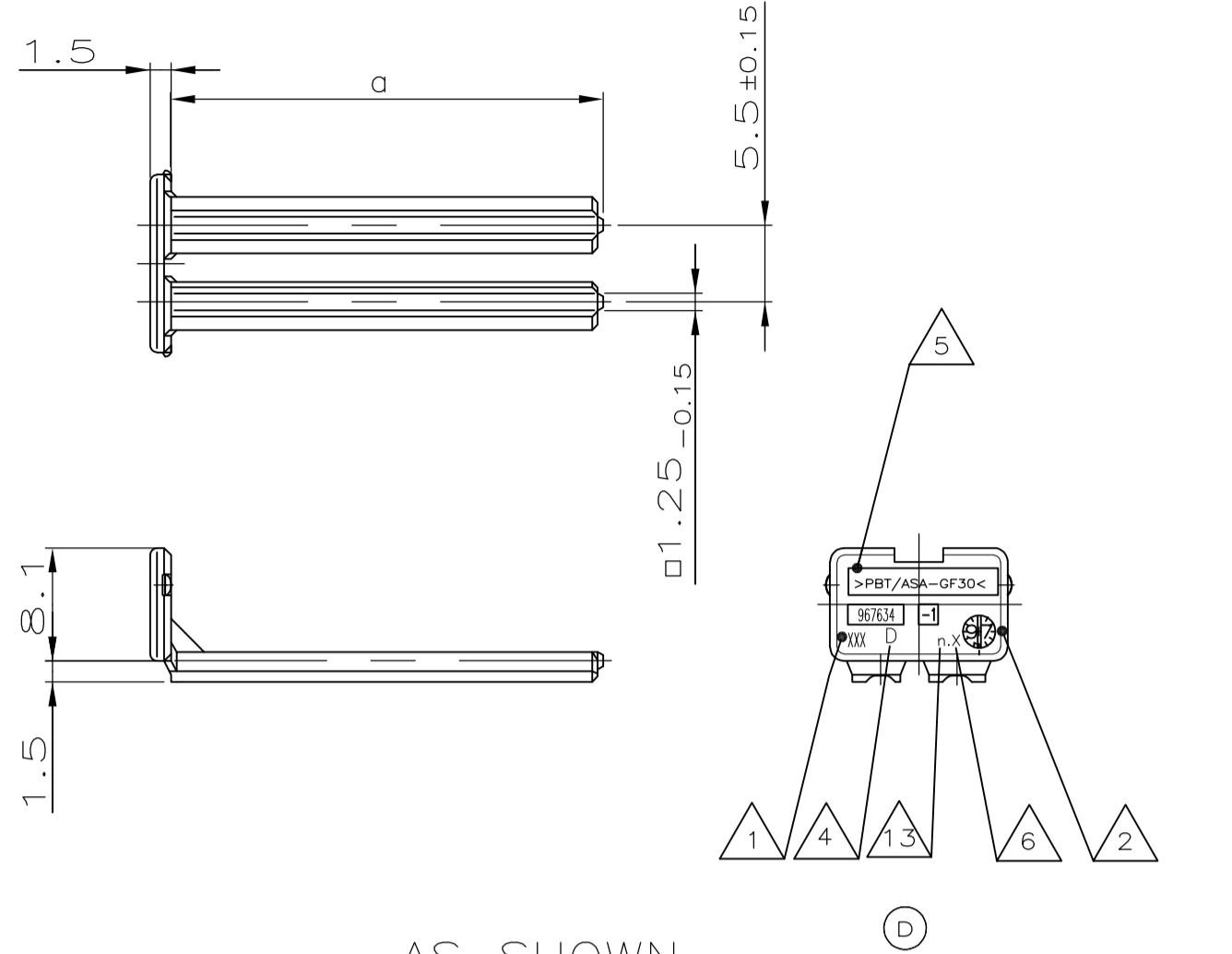
THIS DRAWING IS UNPUBLISHED... VERTRAULICHE UNVERÖFFENTLICHTE ZEICHNUNG... RELEASED FOR PUBLICATION... FÜR DEN VERKEHR BESTIMMT... MATERIAL WITH PASSING TO: SEE NOTE 12

WAS 116-18025-001

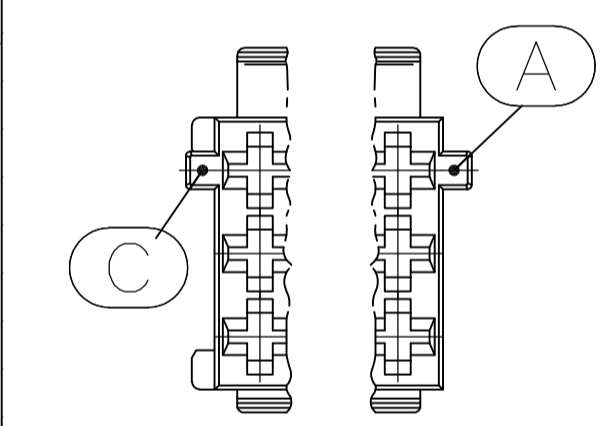


	10,1g	6	30	36,2	21	36	0,7g
	9,1g	5	25	31,2	18	31	0,65g
	7,6g	4	20	26,2	15	26	0,55g
	6,5g	3	15	21,2	12	21	0,5g
	5,1g	2	10	16,2	9	16	0,4g
	3,9g	1	5	11,2	6	11	0,35g

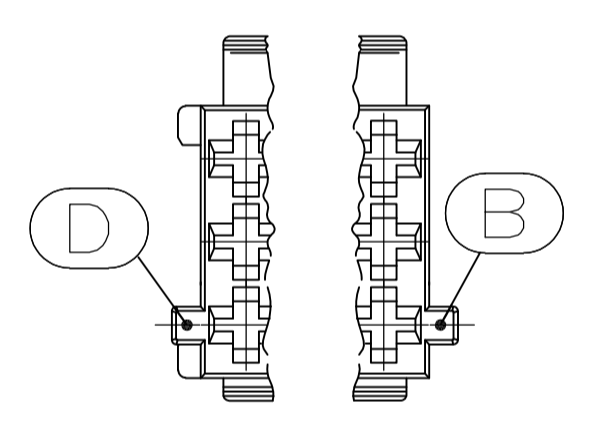
2



967634-1 AS SHOWN wie gezeichnet



2-...,
MECHAN. CODING B
mechanische Kodierung
(RIBS A-C) AS SHOWN
(Rippen A-C) wie gezeichnet



3-...,
MECHAN. CODING C
mechanische Kodierung
(RIBS B-D) AS SHOWN
(Rippen B-D) wie gezeichnet

NOTES: Bemerkungen:

- 1. TE CONNECTIVITY RESP. AMP LOGO, SINGLE PART No. 9
- 2. PRODUCTION-DATE
- 3. CAVITY-MARKING
- 4. THE REVISION STATUS OF THE MOULD
- 5. MATERIAL-MARKING ACC. TO VDA 260
- 6. MOLD CAVITY-MARKING
- 7. WARPAGE TO 11.3mm PERMITTED

- 8. DIMENSION RESP. WEIGHT OF SECONDARY LOCKING DEVICE
- 9. PACKAGING: LOOSE PIECE IN CORRUGATED BOX FOR BOTH PARTS
- 10. WARPAGE TO 16mm PERMITTED
- 11. CAVITIES MATING WITH JUNIOR POWER TIMER CONTACT
- 12. MATING WITH: SEE DRAWINGS / s. Zeichnungen:
- 13. TOOL-NUMBERING

CODING/Kodierung C		CODING/Kodierung B		CODING / Kodierung A												MECHANICAL CODING:														
RIBS/Rippen: B-D		RIBS/Rippen: A-C		RIBS / Rippen: B-C												mechanische Kodierung:														
967635-1	2	-	-	-	-	1-967625-6	C	GENTIAN BLUE Enzian-blau	-	1-967625-5	C	RAPE YELLOW Raps-gelb	-	1-967625-4	C	YELLOW GREEN Gelb-gruen	-	1-967625-3	C	TRAFFIC PURPLE Verkehrs-purpur	-	1-967625-2	C	SLATE GREY Schie-fergrau	1	CLAY BROWN Lehm-braun	1	2 POS. 2 polig		
967634-1	18	3-967624-6	C	CLAY BROWN Lehm-braun	2-967624-6	C	CLAY BROWN Lehm-braun	-	1-967624-6	C	GENTIAN BLUE Enzian-blau	-	1-967624-5	C	RAPE YELLOW Raps-gelb	-	1-967624-4	C	YELLOW GREEN Gelb-gruen	-	1-967624-3	C	TRAFFIC PURPLE Verkehrs-purpur	-	1-967624-2	C	SLATE GREY Schie-fergrau	1	18 POS. 18 polig	
967633-1	15	-	-	-	-	2-967623-3	C	RAPE YELLOW Raps-gelb	-	-	-	-	-	-	-	-	-	-	-	-	-	-	-	-	-	-	-	5 POS. 5 polig		
967632-1	12	-	-	-	-	-	-	-	-	1-967622-6	C	TRAFFIC PURPLE Verkehrs-purpur	-	1-967622-5	C	SLATE BROWN Schie-fergrau	-	1-967622-4	C	CLAY BROWN Lehm-braun	-	1-967622-3	C	RAPE YELLOW Raps-gelb	-	1-967622-2	C	YELLOW GREEN Gelb-gruen	1	12 POS. 12 polig
967631-1	10	-	-	-	-	-	-	-	-	1-967621-6	C	YELLOW GREEN Gelb-gruen	-	1-967621-5	C	TRAFFIC PURPLE Verkehrs-purpur	-	1-967621-4	C	SLATE GREY Schie-fergrau	-	1-967621-3	C	CLAY BROWN Lehm-braun	-	1-967621-2	C	GENTIAN BLUE Enzian-blau	1	10 POS. 10 polig
968271-1	6	-	-	-	-	-	-	-	1-965640-7	C	FLAME RED Feuer-rot	-	1-965640-6	C	RAPE YELLOW Raps-gelb	-	1-965640-5	C	YELLOW GREEN Gelb-gruen	-	1-965640-4	C	TRAFFIC PURPLE Verkehrs-purpur	-	1-965640-3	C	SLATE GREY Schie-fergrau	1	6 POS. 6 polig	

SECONDARY LOCKING DEVICE zweite Kontaktsicherung

JUNIOR POWER TIMER HOUSING / Junior Power Timer Gehaeuse

THIS DRAWING IS A CONTROLLED DOCUMENT. DIN K. Gerlach 14. APR 98
DIESE ZEICHNUNG IST EIN KONTROLLIERTES DOKUMENT. CJK R. Huebner 14. APR 98

STE TE Connectivity

PRODUCT GROUP DRAWING FOR: JUNIOR POWER TIMER HSG. 6-21POS. AND SECONDARY LOCKING DEVICE

APVD J. Hoss 14. APR 98

SCALE MASSSTAB 2:1