

U.I. Lapp GmbH	<b>DATASHEET</b>	
	<b>SKINDICHT® CN-M</b>	52032670 14.11.2013

For high temperatures  
Resistant to oils, solvents, acids and chemicals  
Seawater-resistant  
For high mechanical stress  
High corrosion-resistance



Good chemical resistance



Corrosion-resistant



Mechanical resistance



Robust



Temperature-resistant

### Application range

Chromium nickel steel cable gland with VITON® seal, specially designed for use under tough conditions.  
Pharmaceutical and petrochemical industry  
Offshore sector  
Wind power plants  
Brickworks

### Design

Metric connection thread acc. to EN 50262

### Note

Refer to the chart to find a suitable counter-nut for SKINDICHT® SM CrNi M

### Remark

Viton® is a registered trademark of DuPont de Nemours  
Photographs are not to scale and do not represent detailed images of the respective products.

Product Management	Document: SKINDICHT® CN-M	1 / 3
--------------------	---------------------------	-------

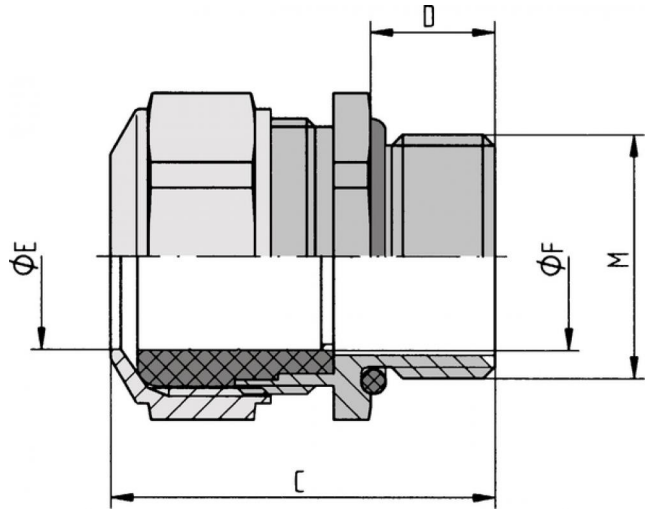
U.I. Lapp GmbH	<b>DATASHEET</b>	 <b>LAPP GROUP</b>
	<b>SKINDICHT® CN-M</b>	<b>52032670</b> <b>14.11.2013</b>

### Technical Data

Article designation / size:	63 x 1,5
Clamping range ØF (mm):	46 - 52
SW (mm):	70
Overall length, C (mm):	51
Thread length, D (mm):	14
Pieces / PU:	1
Caution:	The installation dimensions can be found in appendix T21
Material:	Body: chrome-nickel steel in accordance with DIN, material no. 1.4305 Inner seal: FPM O-ring: FPM
Protection rating:	IP 68 - 5 bar
Temperature range:	-25°C to +200°C

Product Management	Document: SKINDICHT® CN-M	2 / 3
--------------------	---------------------------	-------

U.I. Lapp GmbH	<b>DATASHEET</b>	 <b>LAPP GROUP</b>
	<b>SKINDICHT® CN-M</b>	52032670 14.11.2013



Product Management	Document: SKINDICHT® CN-M	3 / 3
--------------------	---------------------------	-------