

U.I. Lapp GmbH	DATASHEET	
	SKINDICHT® SRE	52005360 14.11.2013

Perfect seal with anti-kink protection
 Optimum, low-resistance 360° screen contact
 Cable-protecting strain relief
 Gentle cable clamping
 High degree of protection



Optimum strain relief



Reliability



Interference signals

Application range

Earthing gland with additional anti-kink protection. For applications where electrical interference fields can occur.
 Moving machine parts
 Conveyor and transport systems
 Production lines
 Measurement and control technology

Design

PG connection thread

Note

Counter nut to be used: SKINDICHT® SM
 EMC counter nut, SKINDICHT® SM nut should be used to ensure optimum contact with painted, anodised or powder-coated housings
 PVC sheath

Remark

Photographs are not to scale and do not represent detailed images of the respective products.

Product Management	Document: SKINDICHT® SRE	1 / 3
--------------------	--------------------------	-------

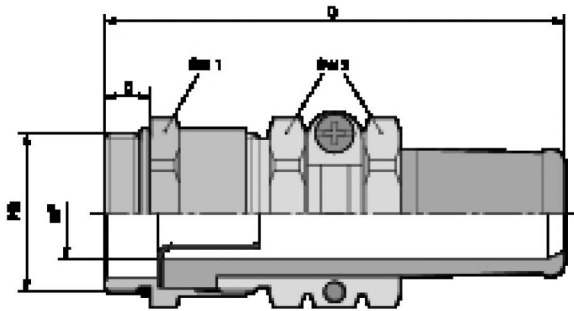
U.I. Lapp GmbH	DATASHEET	
	SKINDICHT® SRE	52005360 14.11.2013

Technical Data

Article designation / size:	21/21/15/12
Outer sheath Ø, min./max. (mm):	13 / 15
Min./max. inner sheath Ø (mm):	10 / 12
SW1/SW2 mm:	30 / 30
Overall length, C (mm):	78
Thread length, D (mm):	7
Pieces / PU:	25
Caution:	The installation dimensions can be found in appendix T21
On request:	Available with longer connection thread
Material:	Body: nickel-plated brass Earthing sleeve: plain brass Anti-kink sleeve: CR/NBR O-ring: NBR
Protection rating:	IP 65
Temperature range:	-20°C to +80°C

Product Management	Document: SKINDICHT® SRE	2 / 3
--------------------	--------------------------	-------

U.I. Lapp GmbH	<h1>DATASHEET</h1>	 LAPP GROUP
	SKINDICHT® SRE	52005360 14.11.2013



Product Management	Document: SKINDICHT® SRE	3 / 3
--------------------	--------------------------	-------