

U.I. Lapp GmbH	<b>DATASHEET</b>	
	<b>SKINDICHT® SVF-M</b>	52107340 14.11.2013

Lateral sealing lips fit automatically around various cable dimensions  
Cable-specific seal dimensions are no longer necessary  
Large opening allows clamping of up to two flat cables  
Optimum strain relief  
Tolerance



Wide clamping range



Maximum vibration protection



Assembly time



#### Application range

For inserting flat cables.  
Control cabinet manufacturing  
Conveyor systems  
Pumps  
Lifts

#### Design

Metric connection thread acc. to EN 50262

#### Note

For suitable flat cables, refer to ÖLFLEX® LIFT F for indoor applications or ÖLFLEX® CRANE F for outdoor applications  
Counter nut to be used: SKINDICHT® SM-M

#### Remark

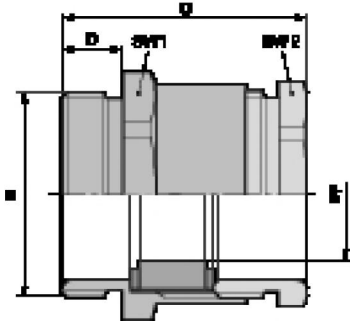
Photographs are not to scale and do not represent detailed images of the respective products.

#### Technical Data

Article designation / size:	M 25/21
Min./max. flat cable width:	9 / 20
Min./max. cable thickness (mm):	3 / 8
Pieces / PU:	25
Caution:	The installation dimensions can be found in appendix T21
Material:	Body: nickel-plated brass Seal: CR
Temperature range:	-30°C to +100°C

Product Management	Document: SKINDICHT® SVF-M	1 / 2
--------------------	----------------------------	-------

U.I. Lapp GmbH	<h1>DATASHEET</h1>	 <b>LAPP GROUP</b>
	<b>SKINDICHT® SVF-M</b>	52107340 14.11.2013



Product Management	Document: SKINDICHT® SVF-M	2 / 2
--------------------	----------------------------	-------