

TECHNICAL CHARACTERISTICS

MATERIAL
 INSULATOR: NYLON 9T
 FLAMABILITY RATING: UL94-V0
 COLOR: BEIGE
 CONTACT MATERIAL: COPPER ALLOY
 CONTACT TYPE: STAMPED
 CONTACT PLATING: TIN
 QUALITY CLASS: 25 MATING CYCLES
 PITCH: 2.00MM

ENVIRONMENTAL
 OPERATING TEMPERATURE: -25 UP TO 85°C
 COMPLIANCE: LEAD FREE AND ROHS

ELECTRICAL
 CURRENT RATING: 2A
 WORKING VOLTAGE: 100V AC
 INSULATOR RESISTANCE: >1000 MOHM
 DIELECTRIC WITHSTANDING VOLTAGE: 800V AC/MN
 CONTACT RESISTANCE: 20 mOHM MAX

STANDARD
 IEC CERTIFIED: E323964

SOLDERING
 SOLDER TEMP.: JEDEC LEAD FREE REFLOW SOLDERING

PACKAGING
 TAPE AND REEL WITH CAP

DIMENSION
 A = 2.00 x (NB PIN - 1)
 B = 2.00 x (NB PIN - 1) + 5.90

G	06-AUG-13	CHARACTERISTIC	QL	PROJECTION: 	GENERAL TOLERANCE .X = +/- 0.2 .XX = +/- 0.15		DESCRIPTION: 2.00 MM SMT MALE VERTICAL SHROUDED HEADER	SIZE A4
F	30-JAN-13	WRK VOLTAGE	QL					
E	21-DEC-12	TOLERANCE	AR					
D	17-NOV-09	STANDARD	JP					
C	28-JAN-09	B DIMENSION	JP	APPROVAL: RJ	UNIT: MM	DESCRIPTION: 2.00 MM SMT MALE VERTICAL SHROUDED HEADER		SIZE A4
B	07-NOV-08	DIMENSION B	CH		SCALE:	WERI PART NO: 6203xx124022		
A	23-JUN-08	PDF	CH		SHEET: 1/2			
REV	DATE	FILE	BY		DRAW:			

1

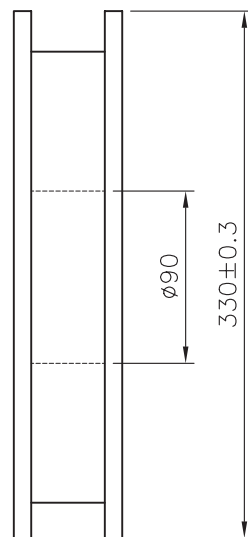
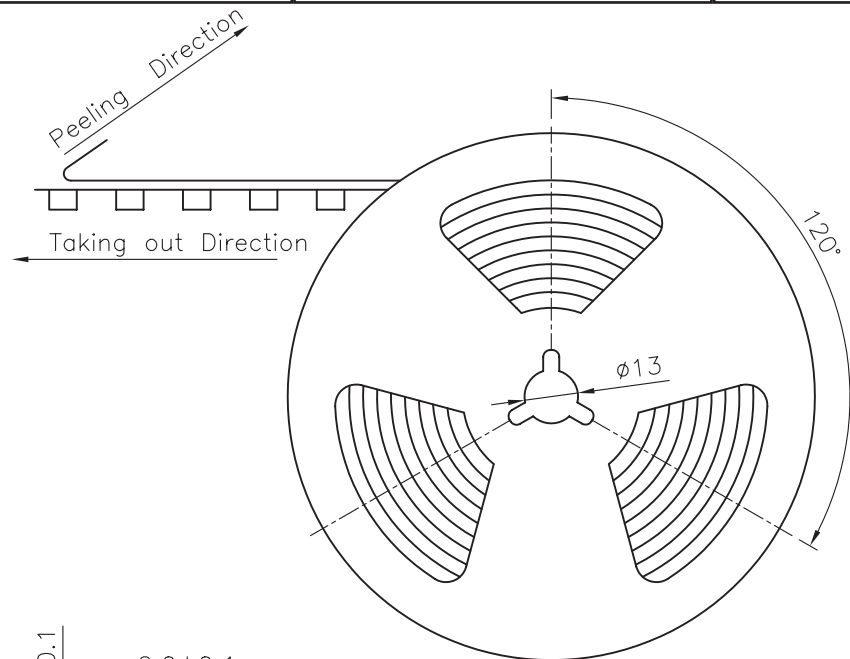
2

3

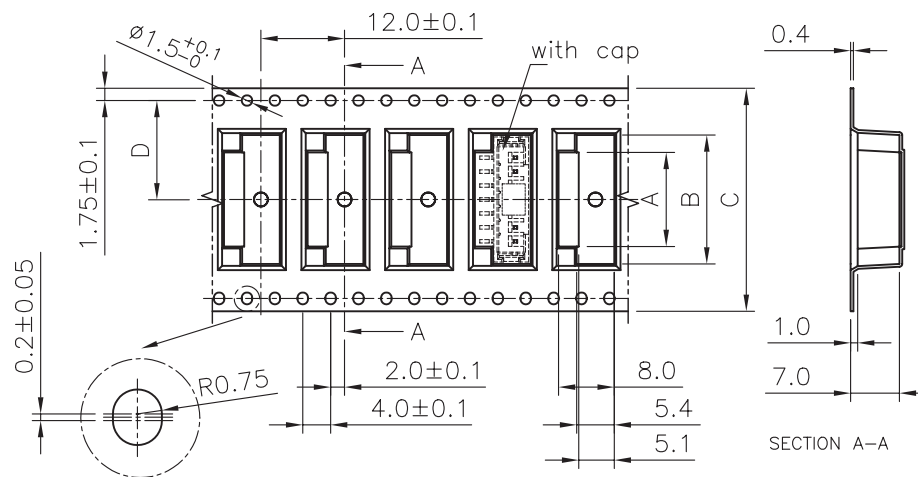
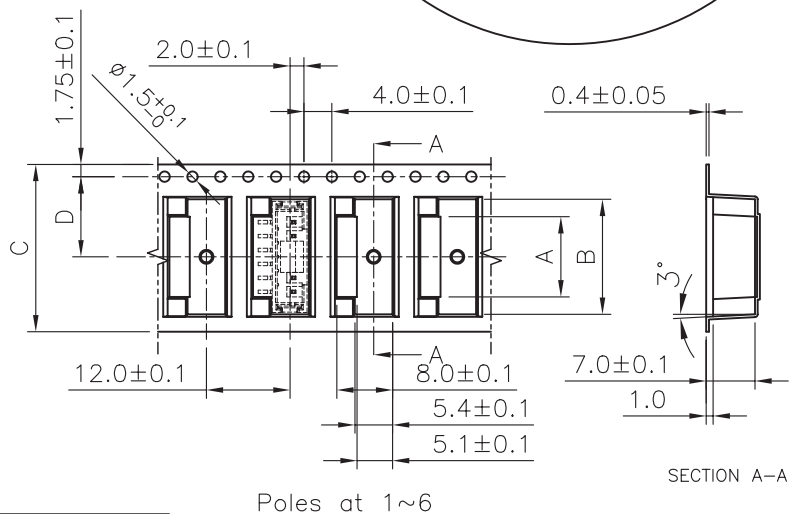
4

5

Material: Black Anti-static Polystyrene
Q,TY: 800 PCS / REEL



Poles	Dimension(mm)			
	A	B	C	D
2	4.5	8.5	16.0	7.5
3	6.5	10.5	24.0	7.5
4	8.5	12.5	24.0	11.5
5	9.5	14.5	24.0	11.5
6	11.5	16.5	24.0	11.5
7	13.5	18.5	32.0	14.2
8	15.5	20.5	32.0	14.2
9	17.5	22.5	32.0	14.2
10	19.5	24.5	44.0	20.2
11	21.5	26.5	44.0	20.2
12	23.5	28.5	44.0	20.2
13	25.5	30.5	44.0	20.2
14	27.5	32.5	44.0	20.2
15	29.5	34.5	56.0	26.2



G			
F			
E			
D			
C			
B			
A			
REV	DATE	FILE	BY

PROJECTION:

APPROVAL: RJ

GENERAL TOLERANCE
.X = ± 0.2
.XX = ± 0.15

UNIT: MM
SCALE:
SHEET: 2/2
DRAW:

DESCRIPTION: 2.00 SMT MALE VERTICAL SHROUDED HEADER

WERI PART NO: 6203 xx 124022

SIZE
A4