

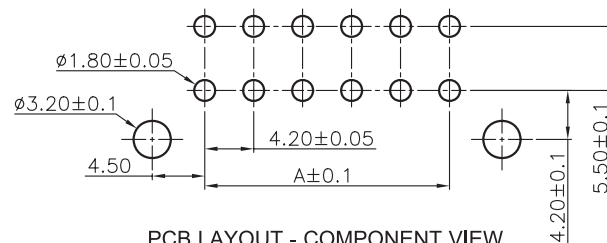
1

2

3

4

5



PCB LAYOUT - COMPONENT VIEW

## TECHNICAL CHARACTERISTICS

MATERIAL  
 INSULATOR: NYLON 66  
 FLAMABILITY RATING: UL94-V0  
 COLOR: WHITE  
 CONTACT MATERIAL: COPPER ALLOY  
 CONTACT TYPE: STAMPED  
 CONTACT PLATING: TIN  
 QUALITY CLASS: 25 MATING CYCLES  
 PITCH: 4.20MM

ENVIRONMENTAL  
 OPERATING TEMPERATURE: -40 UP TO 105°C  
 COMPLIANCE: LEAD FREE AND ROHS

ELECTRICAL  
 CURRENT RATING: 6 TO 9A

NB CIRCUITS	2-3	4-6	7-10	12-24
AMPERES	9	8	7	6

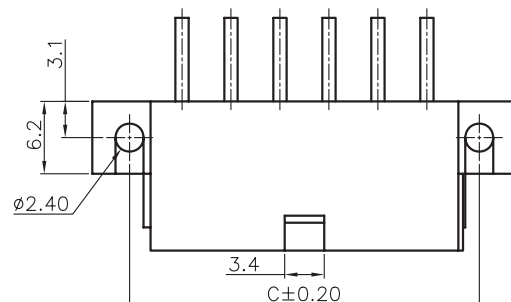
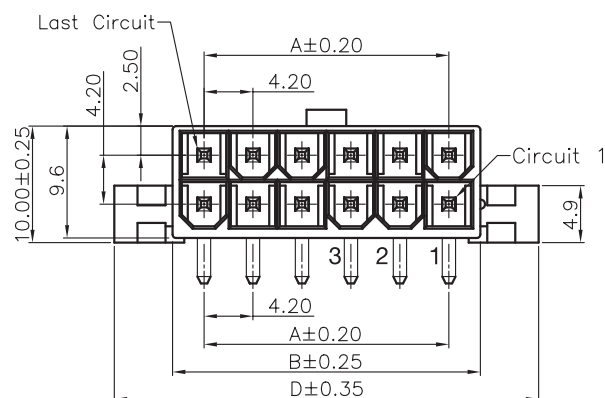
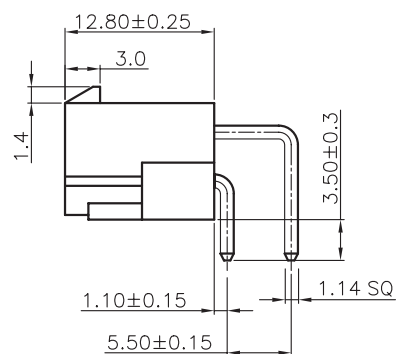
WORKING VOLTAGE: 600V AC  
 INSULATOR RESISTANCE: >1000 MOHM  
 DIELECTRIC WITHSTANDING VOLTAGE: 1500V AC/MN  
 CONTACT RESISTANCE: 10 MOHM MAX

STANDARD  
 CERTIFIED: E323964

SOLDERING  
 WAVE PROCESS ONLY

PACKAGING  
 TRAY

DIMENSION  
 A = 4.20 x (NB. PIN / 2 - 1)  
 B = 4.20 x (NB. PIN / 2) + 1.20  
 C = A + 9.00  
 D = A + 15.40



RoHS Compliant

PROJECTION:



GENERAL TOLERANCE

.X =  $\pm 0.2$ .XX =  $\pm 0.15$ 

APPROVAL: RJ

UNIT: MM

SCALE:

SHEET: 1/2

DRAW: MIKE

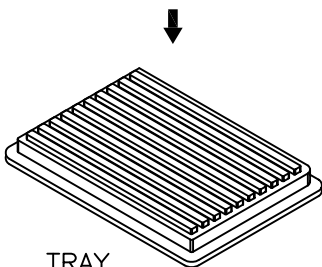
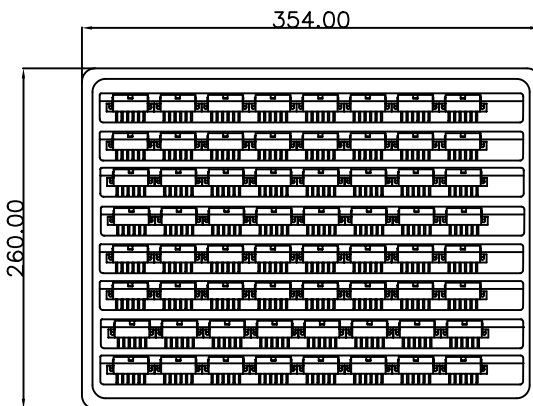
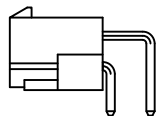
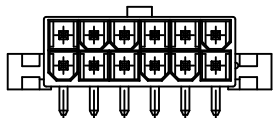
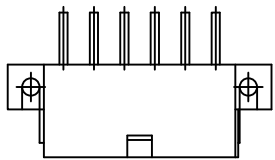
DESCRIPTION: 4.20MM MALE DUAL ROW RIGHT ANGLE HEADER WITH MOUNTING FLANGES

WERI PART NO: 649 0xx 210 22

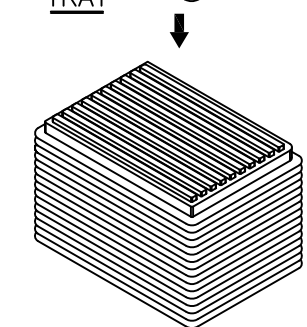
SIZE

A4

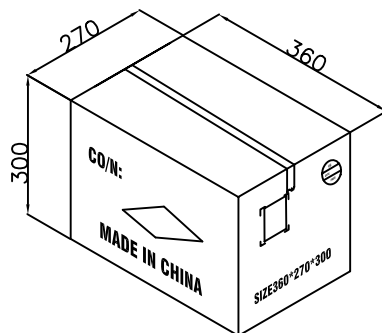
H	13-FEB-14	CORRECTIONS	QL
REV	DATE	FILE	BY



TRAY



18TRAYS



CARTON

Note:

1.Dimension:

Tray Size:354(L)x260(W)x20(H) (mm)

Carton Size:360(L)x270(W)x300(H) (mm)

2.Quantity:

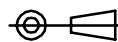
18 Tray/Carton

Pin.	Pcs/Tray	Tray/Carton	Pcs/Carton
2	168	18	3024
4	128	18	2304
6	104	18	1872
8	88	18	1584
10	80	18	1440
12	64	18	1152
14	56	18	1008
16	56	18	1008
18	48	18	864
20	48	18	864
22	40	18	720
24	40	18	720

RoHS Compliant

G			
F			
E			
D			
C			
B			
A			
REV	DATE	FILE	BY

PROJECTION:



APPROVAL: RJ

GENERAL TOLERANCE

.X = +/- 0.2

.XX = +/- 0.15

UNIT: MM

SCALE:

SHEET: 2/2

DRAW: PEARL



DESCRIPTION: 4.20MM MALE DUAL ROW RIGHT ANGLE HEADER WITH MOUNTING FLANGES

WERI PART NO: 6490 xx 21022\_TPK

SIZE

A4