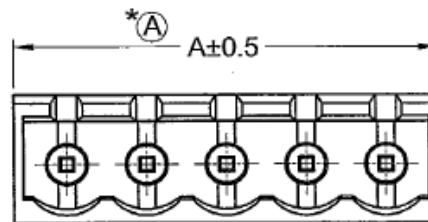
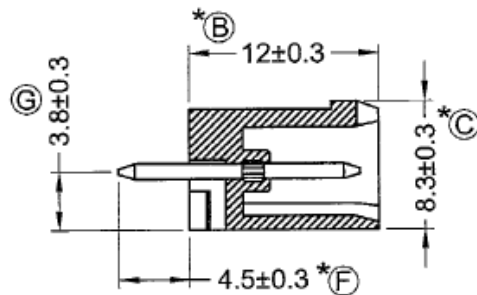
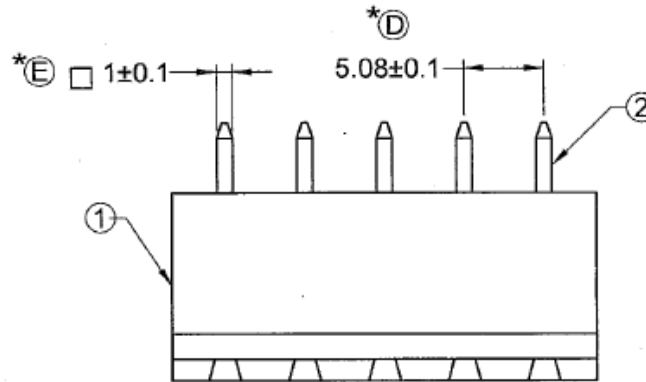
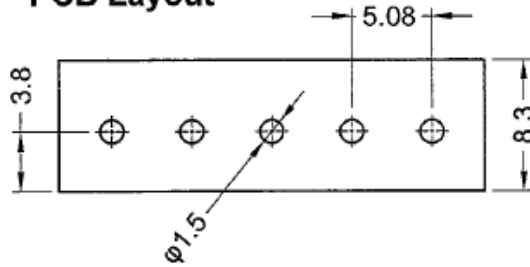


Type No:ME040-508
Order No:ME040-508xx



PCB Layout



Pitch : 5.08mm(0.200inch)

Poles	A(mm)	A(inch)	Poles	A(mm)	A(inch)
2	11.76	0.463	15	77.80	3.063
3	16.84	0.663	16	82.88	3.263
4	21.92	0.863	17	87.96	3.463
5	27.00	1.063	18	93.04	3.663
6	32.08	1.263	19	98.12	3.863
7	37.16	1.463	20	103.20	4.063
8	42.24	1.663	21	108.28	4.263
9	47.32	1.863	22	113.36	4.463
10	52.40	2.063	23	118.44	4.663
11	57.48	2.263	24	123.52	4.863
12	62.56	2.463			
13	67.64	2.663			
14	72.72	2.863			

Current rating : 16Amp 300V
Insulation withstands volt : AC2000V min
Insulation resistance : >2000MΩ DC500V
Operation temperature : -40°C to +105°C

CONFIRMED & ACCEPTED BY:

Solder pin

	Material	Plating/Finish	Mark
1	Insulating body Polyamide 66(UL94V-0)		G
2	Solder pin Brass	Tin plated	
3			
4			
5			

Distributed by Conrad Electronic SE

DECA

DESIGN	CHECK	APPROVE
DATE	DATE	DATE
2014/04/21	2014/04/21	2014/04/21

PART NAME	UNIT	SCALE
Terminal Blocks	MM	
DRAWING NO.		SHEET
ME040-508xx		2 / 2