

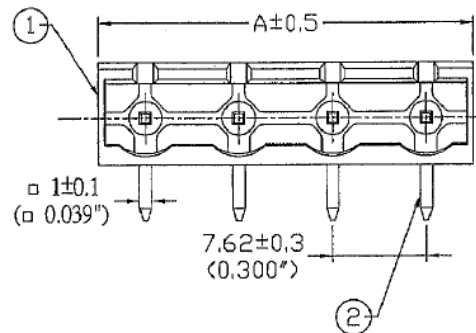
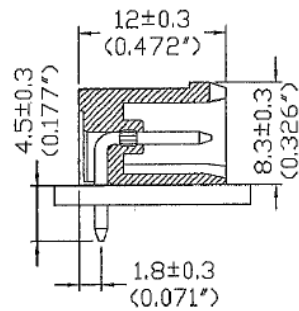
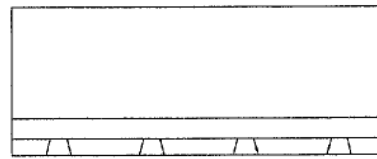
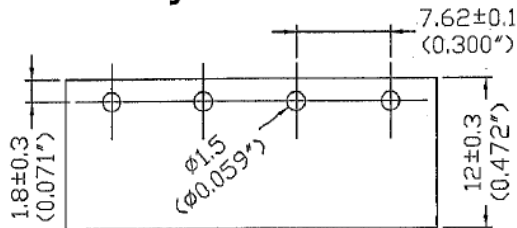


# ME030-762



  : Poles  
**762** : Pitch 7.62mm  
**030** : Standard  
**ME** : Type

## PCB Layout



All materials are lead free according to EU.

Pitch : 7.62mm(0.300inch)					
Poles	A(mm)	A(inch)	Poles	A(mm)	A(inch)
2	15.24	0.600	15	114.30	4.500
3	22.86	0.900	16	121.92	4.800
4	30.48	1.200	17	129.54	5.100
5	38.10	1.500	18	137.16	5.400
6	45.72	1.800	19	144.78	5.700
7	53.34	2.100	20	152.40	6.000
8	60.96	2.400	21	160.02	6.300
9	68.58	2.700	22	167.64	6.600
10	76.20	3.000			
11	83.82	3.300			
12	91.44	3.600			
13	99.06	3.900			
14	106.68	4.200			

Current rating : 15Amp AC300V  
 Insulation withstands volt : AC2000V min  
 Insulation resistance : >2000MΩ DC500V  
 Operation temperature : -40°C to +105°C

CONFIRMED & ACCEPTED BY

	Material	Plating/Finish	Remark
1	Insulating body Polyamide 66(UL94V-0)		Green
2	Solder pin Brass	Tin plated	
3			
4			

DECA

PART NO.	ME030-762	VERSION	B	CONFIRMED BY	
SHEET OF	2/2	METRIC	MM	DRAWN BY	
		DATE	2006/01/24	GENERAL MANAGER	

單據編號 : QR-0703-08 版次 : A版

Distributed by Conrad Electronic SE