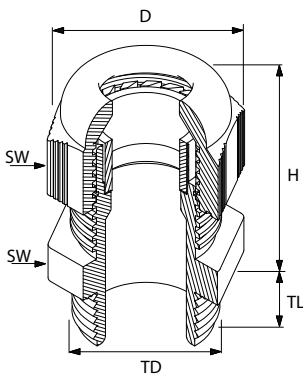


# METRIC THREAD CABLE GLANDS

## BM-EN



### Technical Details

<b>Material</b>	Body	PA 6 (Polyamide 6)
	Cap	PA 6 (Polyamide 6)
	Seal	CR (Chloroprene Rubber)
<b>Flammability</b>	V2 (According to UL 94)	
<b>Protection Class</b>	IP 68 – 5 bar	
<b>Operating Temperature</b>	permanent	-20 °C to +100 °C
	intermittent	-30 °C to +150 °C
<b>Attachment Thread</b>	EN 60423	
<b>Benefits</b>	Easy assembly	
	Easy handling	
<b>Accessories</b>	Lock nuts	
	Dome plugs	
	Dust plugs	
	Reducing seals	
	Flat cable seals	
	Multihole seals	
	Gaskets	
<b>Approvals</b>	VDE, UL, CSA	
<b>UV Test Report Ref. &amp; Standard</b>	RES 107572 & UL514B § 8.26.7	
<b>Remarks</b>	Other colours on request (red / white / blue)	
	Different sealing types available	
	Manufactured according to DIN EN 62444/50262	

### Technical Information

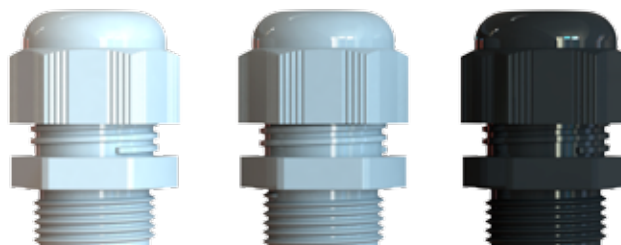
Thread Type	Clamping Range ø min-max mm	TL mm	TD mm	SW mm	Max. H mm	D mm
M12x1,5	3,0-6,5	8,0	12,0	15	22,0	17,1
M16x1,5	4,0-8,0	8,0	16,0	19	25,0	21,6
M20x1,5	6,0-12,0	10,0	20,0	24	29,0	27,7
M25x1,5	11,0-17,0	8,0	25,0	29	34,0	32,5
M32x1,5	15,0-21,0	10,0	32,0	36	41,0	41,0
M40x1,5	19,0-28,0	10,0	40,0	46	45,5	52,4
M50x1,5	30,0-38,0	18,0	50,0	60	49,0	67,7
M63x1,5	34,0-44,0	18,0	63,0	65	49,0	72,2

### Tightening Torque Nm

Cap	Body
1,5-2,5	2,0-2,5
2,0-3,0	2,5-3,0
4,5-5,5	3,5-5,5
5,0-6,0	3,5-6,0
5,0-7,0	5,0-7,0
5,0-7,0	5,0-7,0
20,0-24,0	8,0-24,0
21,0-25,0	12,0-25,0

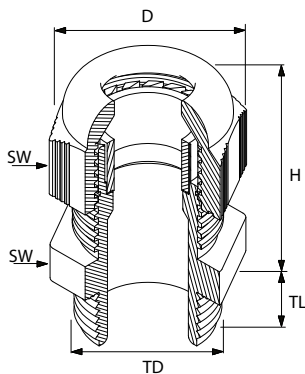
### Part Numbers

Ral 7035	Ral 7001	Ral 9005
<b>BM-EN-1S</b>	<b>BM-EN-0S</b>	<b>BM-EN-2S</b>
<b>BM-EN-11</b>	<b>BM-EN-01</b>	<b>BM-EN-21</b>
<b>BM-EN-12</b>	<b>BM-EN-02</b>	<b>BM-EN-22</b>
<b>BM-EN-13</b>	<b>BM-EN-03</b>	<b>BM-EN-23</b>
<b>BM-EN-14</b>	<b>BM-EN-04</b>	<b>BM-EN-24</b>
<b>BM-EN-15</b>	<b>BM-EN-05</b>	<b>BM-EN-25</b>
<b>BM-EN-16</b>	<b>BM-EN-06</b>	<b>BM-EN-26</b>
<b>BM-EN-17</b>	<b>BM-EN-07</b>	<b>BM-EN-27</b>



# PG THREAD CABLE GLANDS

BS



## Technical Details

<b>Material</b>	Body	PA 6 (Polyamide 6)
	Cap	PA 6 (Polyamide 6)
	Seal	CR (Chloroprene Rubber)
<b>Flammability</b>	V2 (According to UL 94)	
<b>Protection Class</b>	IP 68 – 5 bar	
<b>Operating Temperature</b>	permanent	-20 °C to +100 °C
	intermittent	-30 °C to +150 °C
<b>Attachment Thread</b>	DIN 40430	
<b>Benefits</b>	Easy assembly	
	Easy handling	
<b>Accessories</b>	Lock nuts	
	Dome plugs	
	Dust plugs	
	Reducing seals	
	Flat cable seals	
	Multihole seals	
	Gaskets	
<b>Approvals</b>	UL, CSA	
<b>UV Test Report Ref. &amp; Standard</b>	RES 107572 & UL514B § 8.26.7	
<b>Remarks</b>	Other colours on request (red/white/blue)	
	Different sealing types available	
	Manufactured according to the requirements of DIN EN 62444/50262	

## Technical Information

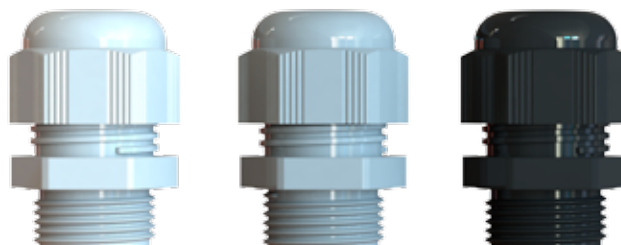
Thread Type	Clamping Range ø min-max mm	TL mm	TD mm	SW mm	Max. H mm	D mm
Pg 7	3,0-6,5	8,0	12,4	15	23,0	17,2
Pg 9	4,0-8,0	8,0	15,1	19	26,5	21,9
Pg 11	5,0-10,0	8,0	18,5	22	22,0	25,2
Pg 13,5	6,0-12,0	10,0	20,3	24	29,5	27,7
Pg 16	10,0-14,0	10,0	22,5	27	32,5	31,0
Pg 21	13,0-18,0	11,0	28,1	33	35,0	37,2
Pg 29	18,0-25,0	11,0	37,0	42	42,0	47,5
Pg 36	22,0-32,0	13,0	46,8	53	52,0	60,0
Pg 42	30,0-38,0	13,0	54,0	60	54,5	67,7
Pg 48	34,0-44,0	14,0	59,0	65	54,5	72,2

## Tightening Torque Nm

Cap	Body
1,5-2,5	1,5-2,5
2,0-3,0	1,5-3,0
2,5-3,5	2,0-3,5
4,5-5,5	3,0-5,5
5,0-6,0	3,5-6,0
5,5-6,5	6,5-8,0
7,0-8,0	8,0-9,0
14,0-16,0	11,0-16,0
18,0-20,0	14,0-20,0
20,0-22,0	14,0-22,0

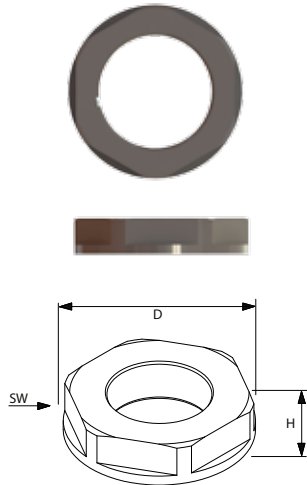
## Part Numbers

Ral 7035	Ral 7001	Ral 9005
<b>BS-11</b>	<b>BS-01</b>	<b>BS-21</b>
<b>BS-12</b>	<b>BS-02</b>	<b>BS-22</b>
<b>BS-13</b>	<b>BS-03</b>	<b>BS-23</b>
<b>BS-14</b>	<b>BS-04</b>	<b>BS-24</b>
<b>BS-15</b>	<b>BS-05</b>	<b>BS-25</b>
<b>BS-16</b>	<b>BS-06</b>	<b>BS-26</b>
<b>BS-17</b>	<b>BS-07</b>	<b>BS-27</b>
<b>BS-18</b>	<b>BS-08</b>	<b>BS-28</b>
<b>BS-19</b>	<b>BS-09</b>	<b>BS-29</b>
<b>BS-20</b>	<b>BS-10</b>	<b>BS-30</b>



# FLANGED LOCK NUTS

## BML & BL



### Technical Details

<b>Material</b>	<b>Lock Nut</b>	Polyamide 6, 30% Glass Fibre Reinforced
<b>Flammability</b>		HB (According to UL 94)
<b>Operating Temperature</b>	<b>permanent</b>	-20 °C to +100 °C
	<b>intermittent</b>	-30 °C to +150 °C
<b>Attachment Thread</b>	<b>metric</b>	EN 60423
	<b>Pg</b>	DIN 40430

### Technical Information

Thread Type	H mm	SW mm	D mm
M12x1,5	5	18	19,5
M16x1,5	5	22	24,2
M20x1,5	6	26	28,6
M25x1,5	6	32	35,0
M32x1,5	7	41	46,1
M40x1,5	7	50	55,3
M50x1,5	8	60	66,1
M63x1,5	8	75	82,5
Pg 7	5	19	21,0
Pg 9	5	22	24,0
Pg 11	5	24	26,0
Pg 13,5	6	27	29,0
Pg 16	6	30	33,0
Pg 21	7	36	39,0
Pg 29	7	46	50,0
Pg 36	8	60	66,0
Pg 42	8	65	73,0
Pg 48	8	70	78,0

### Tightening Torque Nm

2,0-2,5
2,5-3,0
3,5-5,5
3,5-6,0
5,0-7,0
5,0-7,0
8,0-24,0
12,0-25,0
1,5-2,5
1,5-3,0
2,0-3,5
3,0-5,5
3,5-6,0
6,5-8,0
8,0-9,0
11,0-16,0
14,0-20,0
14,0-22,0

### Part Numbers

Ral 7035	Ral 7001	Ral 9005
<b>BML-1S</b>	<b>BML-0S</b>	<b>BML-2S</b>
<b>BML-11</b>	<b>BML-01</b>	<b>BML-21</b>
<b>BML-12</b>	<b>BML-02</b>	<b>BML-22</b>
<b>BML-13</b>	<b>BML-03</b>	<b>BML-23</b>
<b>BML-14</b>	<b>BML-04</b>	<b>BML-24</b>
<b>BML-15</b>	<b>BML-05</b>	<b>BML-25</b>
<b>BML-16</b>	<b>BML-06</b>	<b>BML-26</b>
<b>BML-17</b>	<b>BML-07</b>	<b>BML-27</b>
<b>BL-11</b>	<b>BL-01</b>	<b>BL-21</b>
<b>BL-12</b>	<b>BL-02</b>	<b>BL-22</b>
<b>BL-13</b>	<b>BL-03</b>	<b>BL-23</b>
<b>BL-14</b>	<b>BL-04</b>	<b>BL-24</b>
<b>BL-15</b>	<b>BL-05</b>	<b>BL-25</b>
<b>BL-16</b>	<b>BL-06</b>	<b>BL-26</b>
<b>BL-17</b>	<b>BL-07</b>	<b>BL-27</b>
<b>BL-18</b>	<b>BL-08</b>	<b>BL-28</b>
<b>BL-19</b>	<b>BL-09</b>	<b>BL-29</b>
<b>BL-20</b>	<b>BL-10</b>	<b>BL-30</b>

