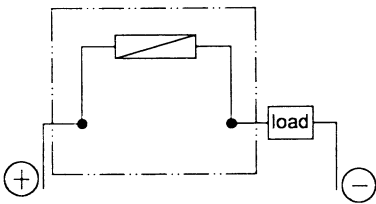
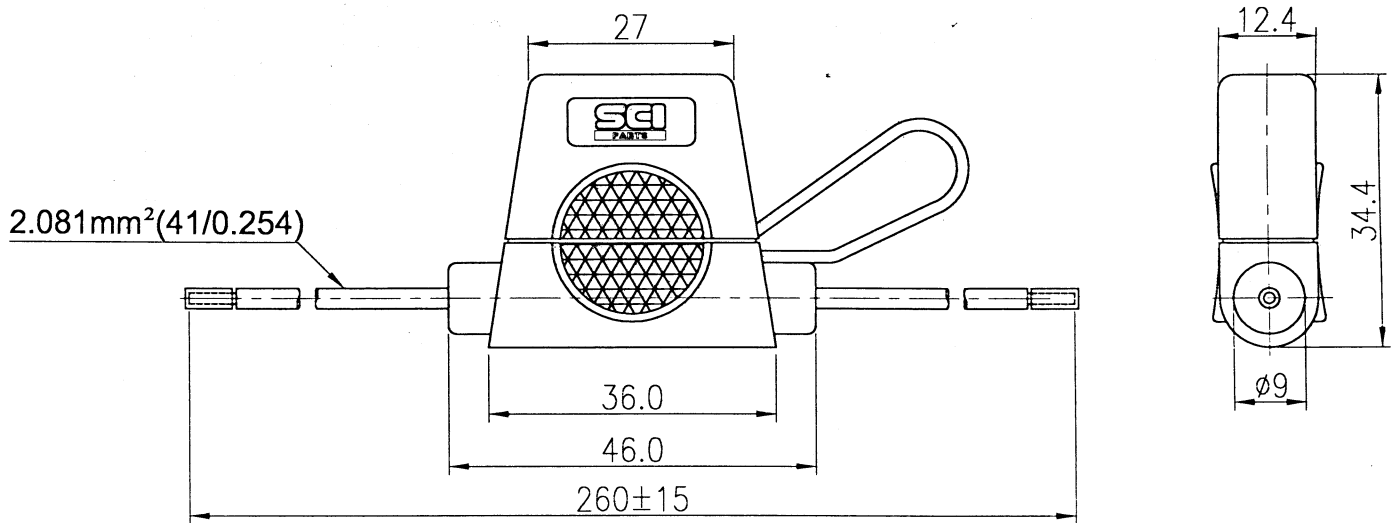
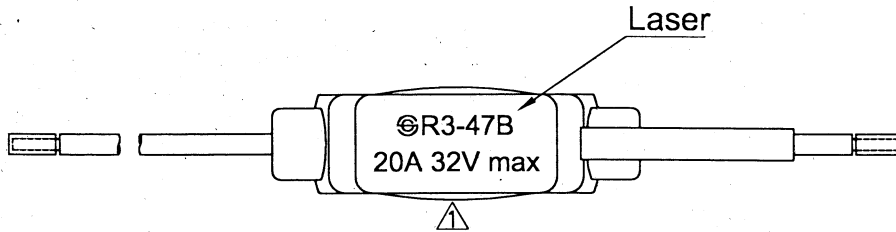


Rating	20A 32V DC	Circuit Diagram 
Insulation Resistance	DC 500V 100M ohm Min	
Dielectric Strength	AC 1000V 1 minute	
FUSE TYPE	BLADE FUSE	

Material:
Frame: Black, PVC(T105°C)



R3-47 B	TYPE	UL 1015 WIRE	RATING	WIRE COLOR
	B	14AWG[2.081mm² (41/0.254)]	20A 32V DC	Red

Tolerances ±0.5 Unless Otherwise Specified

						△
07/10/14	柳新強	依客戶要求增加電壓伏特數鐫雕，更新圖面				△
Date	Name	Description				NO
Drawn	Checked	Approved	SCI BOM No.	1310221	Model Name	In-Line Fuse Holder
柳新強		<i>Smee</i>	Customer No.		Model No.	R3-47B
07/10/14		<i>7/10-14</i>	Unit	mm		Rev. X1