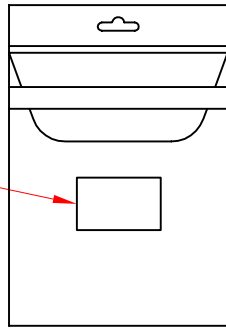
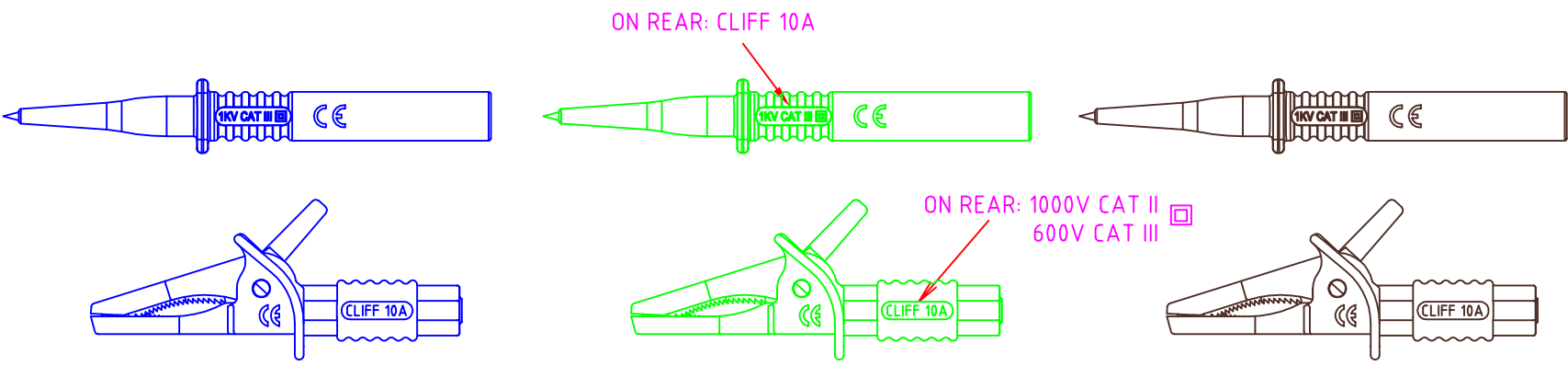
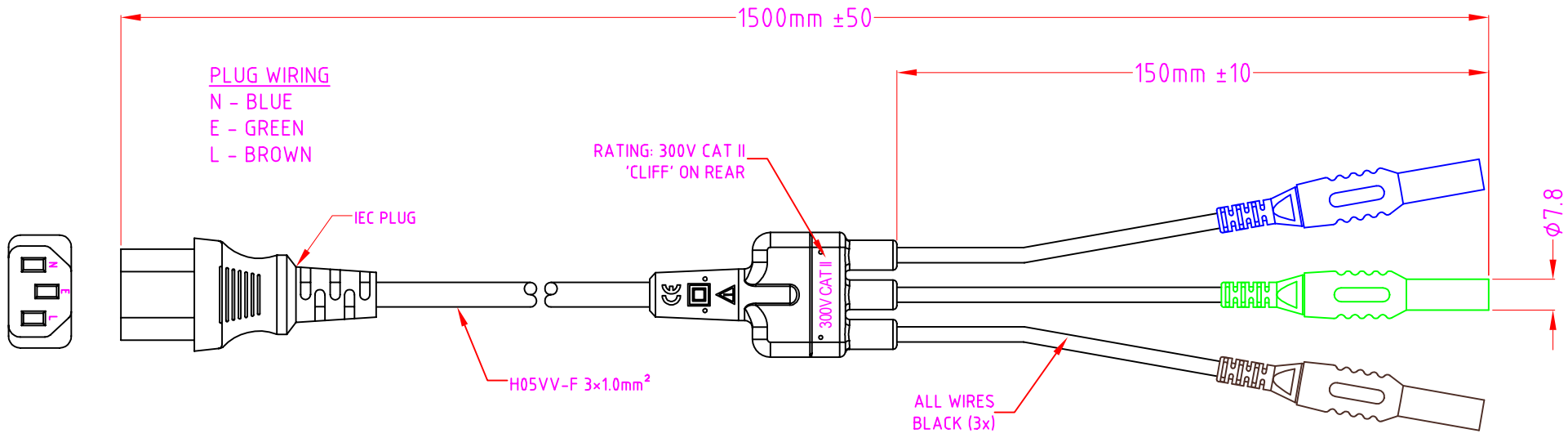


ISS.	AMEND	DATE
1	ISSUED	26/02/14



- SET INCLUDES**
 1x IEC PLUG - 3x4mm PLUG LEAD
 1x BLUE TPR7 PROBE
 1x GREEN TPR7 PROBE
 1x BROWN TPR7 PROBE
 1x BLUE CROC CLIP
 1x GREEN CROC CLIP
 1x BROWN CROC CLIP



WHEN ORDERING USE CLIFF PART NUMBER: CIH29922

RoHS
 COMPLIANT

TOLERANCE

NO DEC. PLACE ±
 1 DEC. PLACE ±
 2 DEC. PLACE ±
 HOLE Ø ±
 ANGLES ±
 UNLESS OTHERWISE STATED

Cliff Electronic Components Ltd.
 76 Holmethorpe Avenue, Holmethorpe Industrial Estate,
 Redhill, Surrey, RH1 2PF, England, UK
 Tel: 01737-771375 Fax: 01737-766012 Website: www.cliffuk.co.uk

THE CONTENTS OF THIS DOCUMENT MUST NOT BE COPIED OR DISCLOSED TO A 3rd PARTY WITHOUT WRITTEN PERMISSION OF CLIFF UK. © 2014

DIMENSIONS IN MILLIMETERS UNLESS OTHERWISE STATED. WORK TO DIMENSIONS. REMOVE ALL BURRS. IF IN DOUBT ASK.

MATERIAL:	COMPOSITE
FINISH:	CLEAN - BLUE / GREEN / BROWN
DRAWN:	T.J.O.
APPROVED:	D.P.J.

3rd ANGLE PROJECTION:

DO NOT SCALE

TITLE:	IEC PLUG 3-1 TPR7+CROC UNFUSED
DRWG. No.	CIH29922DST
FORM:	A4DRWGH