

Device connector, front mounting - RF-12S2N8AWA00 - 1607307

Please be informed that the data shown in this PDF Document is generated from our Online Catalog. Please find the complete data in the user's documentation. Our General Terms of Use for Downloads are valid (<http://download.phoenixcontact.com>)



Device connector, front mounting, straight, Screw locking, M23, Number of positions: 12, Type of contact: Socket, Crimp connection, Axial O-ring, 4xØ3,2, shielded: Yes

The figure shows the product version with standard contact chamber numbering

Key commercial data

package_quantity	1
GTIN	4046356174879

Technical data

General

Note	Order information Order crimp contacts Ø 1 mm separately
Type of locking	Screw locking
Direction of rotation of contact chamber numbering	Counter direction
Coding	N
Contact connection method	Crimp connection
Type of contacts	Socket
Number of positions	12
Contact diameter of power contacts	1 mm
Nominal current per power contact at 25°C	8 A
Mounting type	4xØ3,2

Ambient conditions

Ambient temperature	-20 °C ... 125 °C
Degree of protection	IP67

Material

Housing material	Turned parts: copper zinc alloy (CuZn), die-cast parts: zinc (GD-Zn)
Insulator material	PA 66
Gasket and O-ring material	FPM

Specifications according to DIN EN 61984:2001

Installation height max.	2000 m
Nominal / operating voltage of power contacts	150 V
Rated surge voltage of power contacts	2.5 kV

Device connector, front mounting - RF-12S2N8AWA00 - 1607307

Technical data

Specifications according to DIN EN 61984:2001

Surge voltage category of power contacts	III
Pollution degree of power contacts	3
Surge voltage category of signal contacts	III
Pollution degree of signal contacts	3

classifications

eCl@ss

eCl@ss 4.0	272607xx
eCl@ss 4.1	27260701
eCl@ss 5.0	27143424
eCl@ss 5.1	27143424
eCl@ss 6.0	27143424
eCl@ss 7.0	27440209
eCl@ss 8.0	27440209

ETIM

ETIM 3.0	EC001121
ETIM 4.0	EC001121
ETIM 5.0	EC002635


UNSPSC

UNSPSC 6.01	43172015
UNSPSC 7.0901	43201404
UNSPSC 11	43172015
UNSPSC 12.01	43201404
UNSPSC 13.2	43201404

approvals

UL Recognized / cUL Recognized / cULus Recognized /

Approval details

UL Recognized 	
Nominal voltage UN	125 V
Nominal current IN	5 A
mm ² /AWG/kcmil	20

Device connector, front mounting - RF-12S2N8AWA00 - 1607307

approvals

cUL Recognized	
Nominal voltage UN	125 V
Nominal current IN	5 A
mm ² /AWG/kcmil	20

cULus Recognized	
------------------	--

accessories

Crimp contact

SF-6CS2000 - 1605562



SF-10KS004 - 1607356



SF-6AS2000 - 1605557



Device connector, front mounting - RF-12S2N8AWA00 - 1607307

accessories

SF-10KS320 - 1607031



SF-10KS350 - 1607032



SF-10KS330 - 1607358



SF-10KS360 - 1607361



Protective cover

SF-Z0019 - 1607449



Device connector, front mounting - RF-12S2N8AWA00 - 1607307

accessories

RC-Z2059 - 1604225



RC-Z2469 - 1611797



RC-Z2068 - 1604236



RC-Z2062 - 1604228



Mounting material

RF-Z0017 - 1620624



Device connector, front mounting - RF-12S2N8AWA00 - 1607307

accessories

RF-Z0018 - 1620625

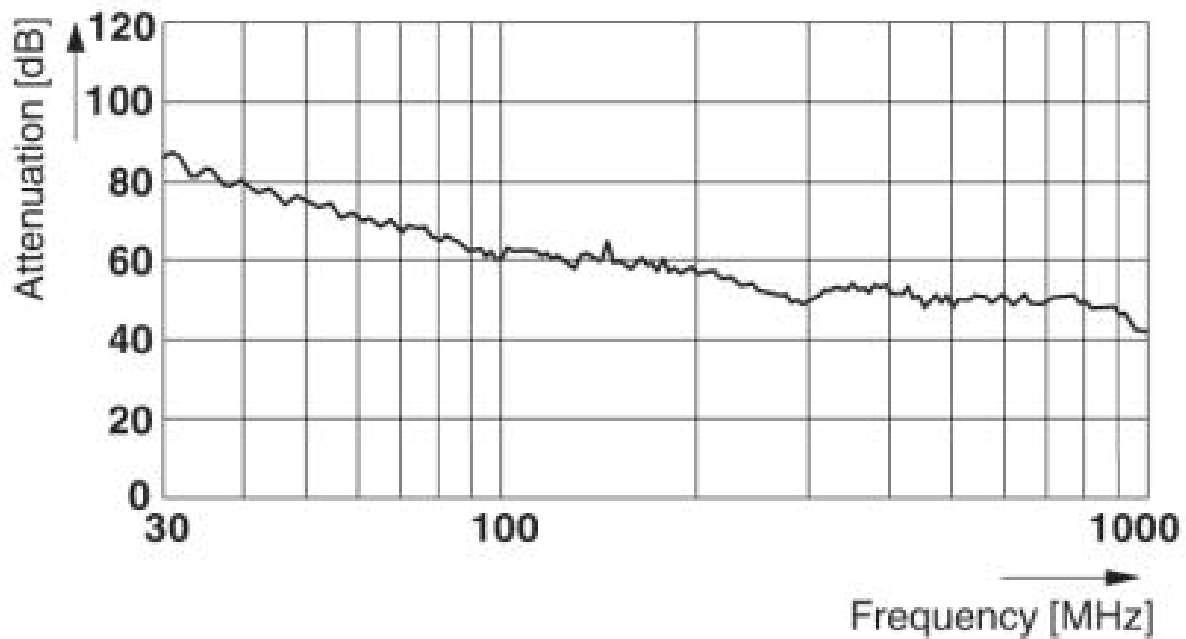


RF-Z0019 - 1620626



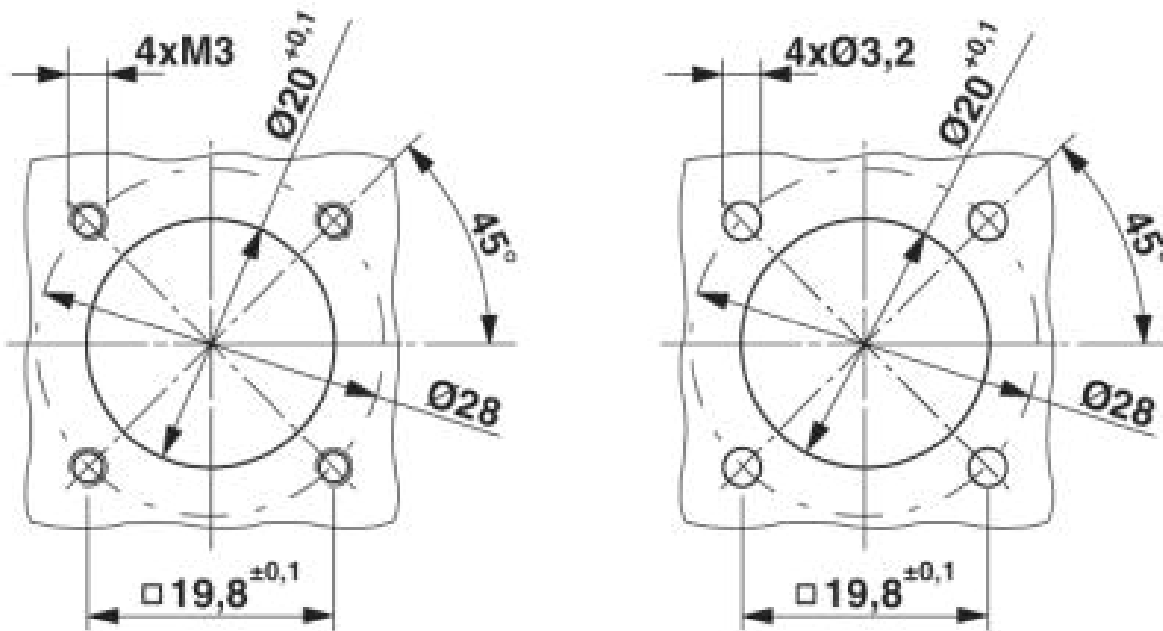
Drawings

Diagram



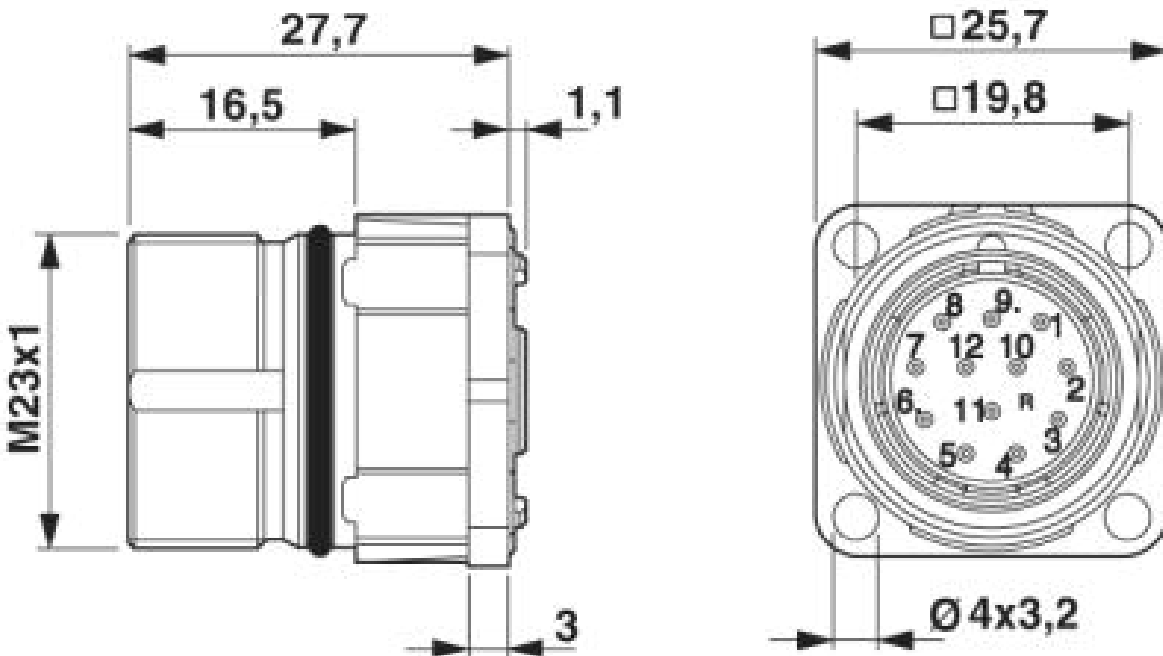
Device connector, front mounting - RF-12S2N8AWA00 - 1607307

Dimensioned drawing



Installation dimensions

Dimensioned drawing



Dimensional drawing

Device connector, front mounting - RF-12S2N8AWA00 - 1607307

Schematic diagram

