

Device connector, rear mounting - ST-08P1N8AH100S - 1619034

Please be informed that the data shown in this PDF Document is generated from our Online Catalog. Please find the complete data in the user's documentation. Our General Terms of Use for Downloads are valid (<http://download.phoenixcontact.com>)



Device connector, rear mounting, straight, SPEEDCON locking, M17, Number of positions: 8, Type of contact: Male connector, Crimp connection, Axial O-ring, Central fixing, shielded: Yes

The figure shows the 17-pos. product version

Key commercial data

package_quantity	1
GTIN	4046356815994

Technical data

General

Type of locking	SPEEDCON locking
Direction of rotation of contact chamber numbering	Standard
Coding	N
Contact connection method	Crimp connection
Type of contacts	Male connector
Number of positions	8
Contact diameter of power contacts	1 mm
Nominal current per power contact at 25°C	3.6 A
Mounting type	Central fixing

Ambient conditions

Degree of protection	IP67
----------------------	------

Specifications according to DIN EN 61984:2001

Installation height max.	3000 m
Nominal / operating voltage of power contacts	60 V
Rated surge voltage of power contacts	1.5 kV
Surge voltage category of power contacts	II
Pollution degree of power contacts	3

classifications

eCl@ss

eCl@ss 4.0	272607xx
eCl@ss 4.1	27260701

Device connector, rear mounting - ST-08P1N8AH100S - 1619034

classifications

eCl@ss

eCl@ss 5.0	27143424
eCl@ss 5.1	27143424
eCl@ss 6.0	27143424
eCl@ss 7.0	27440209
eCl@ss 8.0	27440209

ETIM

ETIM 3.0	EC001121
ETIM 4.0	EC002635
ETIM 5.0	EC002635


UNSPSC

UNSPSC 6.01	43172015
UNSPSC 7.0901	43201404
UNSPSC 11	43172015
UNSPSC 12.01	43201404
UNSPSC 13.2	43201404

approvals

cUL Recognized /

Approval details

cUL Recognized 	
Nominal voltage UN	60 V
Nominal current IN	1 A
mm ² /AWG/kcmil	

accessories

Crimp contact

ST-10KP010 - 1618255



Device connector, rear mounting - ST-08P1N8AH100S - 1619034 accessories

ST-10KP020 - 1618256



ST-10KP030 - 1618261



SF-10KP320 - 1615961



SF-10KP350 - 1615963



SF-10KP330 - 1615962



SF-10KP360 - 1615964



Device connector, rear mounting - ST-08P1N8AH100S - 1619034

accessories

Protective cover

ST-Z0006 - 1607776



Mounting material

ST-Z0019 - 1620621



ST-Z0020 - 1620622



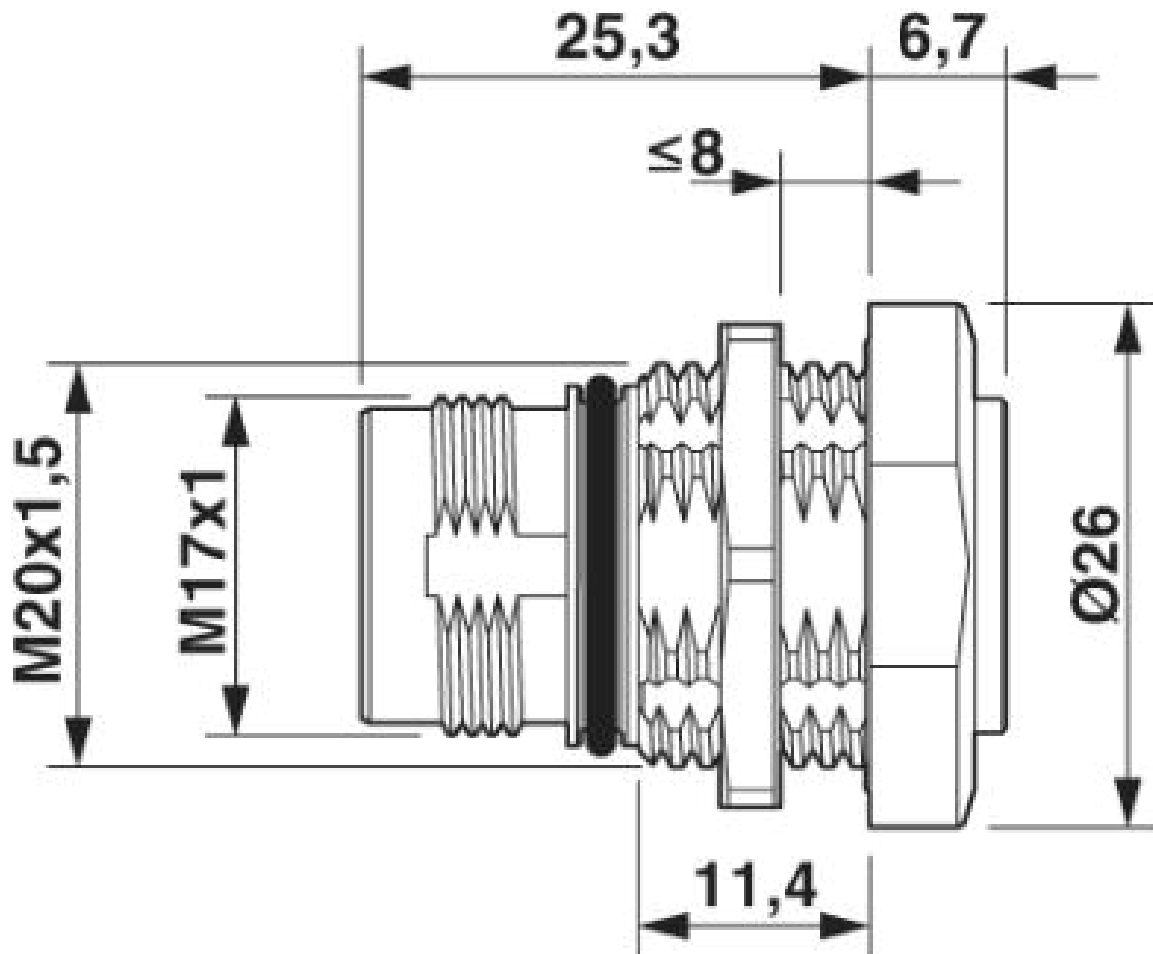
ST-Z0021 - 1620623



Drawings

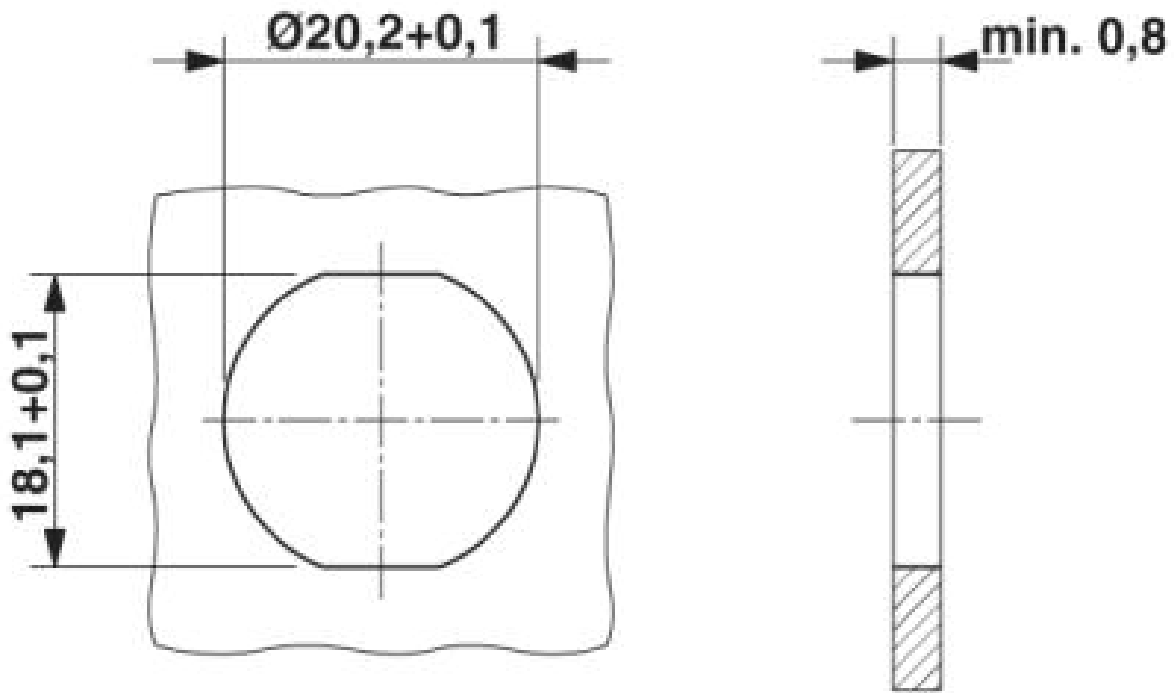
Device connector, rear mounting - ST-08P1N8AH100S - 1619034

Dimensioned drawing



Device connector, rear mounting - ST-08P1N8AH100S - 1619034

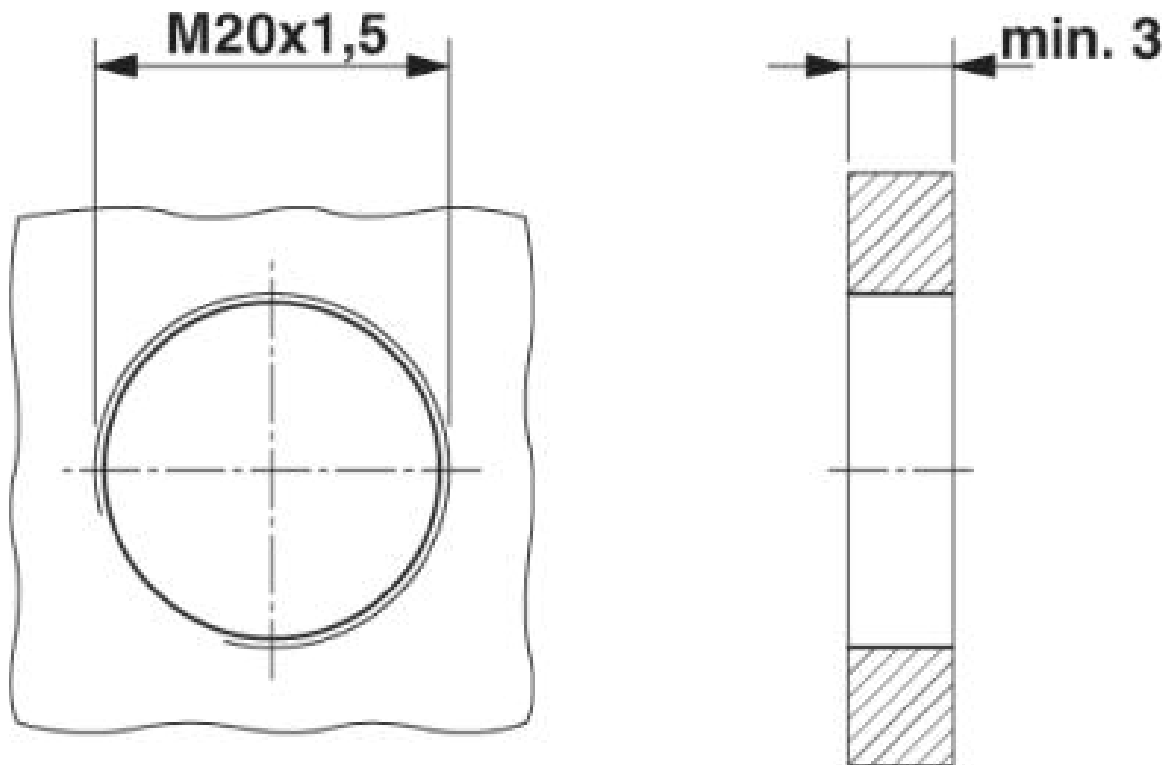
Dimensioned drawing



Installation dimensions: mounting with anti-rotation protection and locking nut

Device connector, rear mounting - ST-08P1N8AH100S - 1619034

Dimensioned drawing



Installation dimensions: mounting with thread

Device connector, rear mounting - ST-08P1N8AH100S - 1619034

Schematic diagram

