

# ITP11/ITP11-G

## Process indicator 4-20 mA

The ITP11 is a universal, microprocessor-controlled display unit for monitoring industrial processes. The measured values are scalable. There is also an optional square root function. The ITP11 is designed to be connected to any transmitter with a 4-20 mA output. It requires no auxiliary power and is supplied directly from the current loop.

The ITP11 has a compact, standardised design and fits into a standard 22.5 mm borehole for signal lamps. This provides quick and easy installation and many displays can be accommodated in a control cabinet door or on a panel.

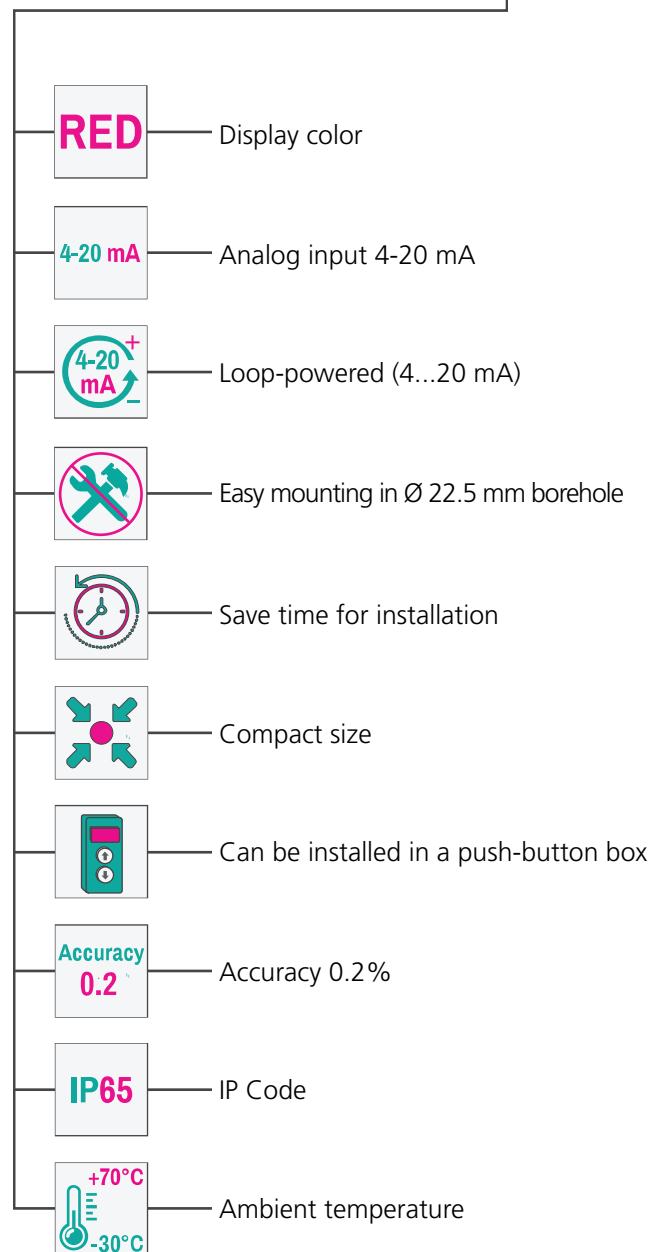
### Functions and features:

- Measuring and displaying of the process value, received from a process control device with 4-20 mA output
- Signal scaling
- Adjustable decimal point position
- Display range of -999...+9999
- Square root function (for special transmitters)
- Digital filter
- Alarm function (blinking) when exceeding setpoints
- Error indication when exceeding the measuring limits
- Access protection



Available with RED or GREEN display color

Standard variants	Description	Enclosure
ITP11	ITP11 with red display color	48 x 26 x 65 mm Panel mount
ITP11-G	ITP11 with green display color	48 x 26 x 65 mm Panel mount



# ITP11/ITP11-G

## Process indicator 4-20 mA

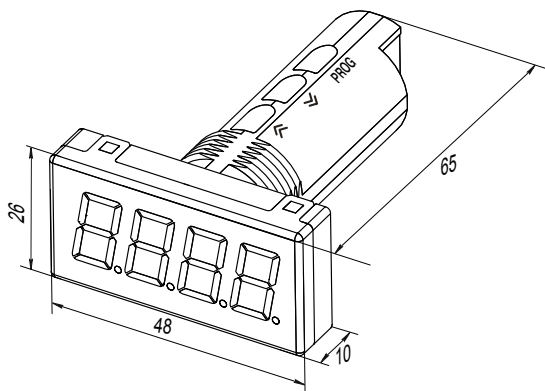
### Areas of application:

The 4-20 mA process indicator ITP11 is particularly suitable for the fast and easy installation of visual display systems for various processes, such as water supply or thermal processing. The ITP11's compact size ensures that it can be used on-site as an additional display unit for measurement values or as part of a complex visual display system.

### Technical Data:

Power supply	from current loop
Input signal	4-20 mA (2-wire)
Inputs	1
Measuring range	3.8-22.5 mA
Guaranteed normal operation	3.2-25 mA
Voltage drop, max.	4 V
Accuracy	0.2 % + 1 digit
Display	4-digit, 7-segment LED display
Character height	14 mm
Display colour	red or green
Sampling rate (without damping)	1 reading/s
IP Code	front IP65, rear IP20
Dimensions	48 x 26 x 65 mm
Weight	approx. 30 g
Protection class	III
Ambient temperature	-30...+70 °C
Storage temperature	-40...+80 °C
Humidity	up to 80% (non-condensing)

### Dimensions:



### Electrical connection:

