


Product information

0985 478 600/... M - 0985 478 600/2 M

Industrial Connecting Solutions:I/O Modules:I/O Modules Activ - Stand Alone:Industrial Ethernet:Accessories:Industrial Ethernet Data Cables:Overmolded Single Ended Cordsets:0985 478 600/... M

http://e-catalog.hirschmann.com/link/57078-24228-255441-219791-247858-277551-252859-277358-277360/en/0985_478_600_0200/ui/state

Name	0985 478 600/... M
	
	Cord set, single-ended, M12, Industrial Ethernet Data cable for GigaBit Applications, molded with M12 male connector, X coded, 8 poles, PUR jacket, halogen-free, black, 2 meter.
Delivery informations	
Availability	available
Product description	
Type	0985 478 600/2 M
Order No.	934 637-025
Description	Cord set, single-ended, M12, Industrial Ethernet Data cable for GigaBit Applications, molded with M12 male connector, X coded, 8 poles, PUR jacket, halogen-free, black, 2 meter.
Note	Transmission properties for Cat 6 and Cat 6A compliant with IEC PAS 61076-2-109. The application of these products in harsh environments should always be checked before use.
Color of housing	black
Number of contacts	8
Product characteristics	Oil resistance, EMC resistance, Drag chains suitable, UV resistance
Classification	
Belden class	Industrial Ethernet Data Cables
Belden brand	Lumberg-Automation
Mechanical data	
Type of plug-in contact	Male connector
Design of housing	straight
Thread	M12
Coding of the M12 round plug connector	X
Environmental conditions	
Environmental temperature	-30 °C ... 90 °C
Degree of protection (IP), mounted	IP67
Pollution degree	3
Materials	
Housing material / Molded body	TPU
Contact bearer material	PA
Contact material	CuZn
Contact material - Surface refinement	gold-plated
Knurled screw / nut material	CuZn, nickel-plated
Approvals	
RoHS 2002/95/EG compliant	yes
Electrical data	
Rated current I _n	0.5 A at 40°C
Nominal voltage	48 V
Insulation resistance	> 1 GΩ
Cable	
Cable length	2 m
Cable number	478
Cable description	Bus cable
Color of jacket	black
Material of outer jacket	PUR

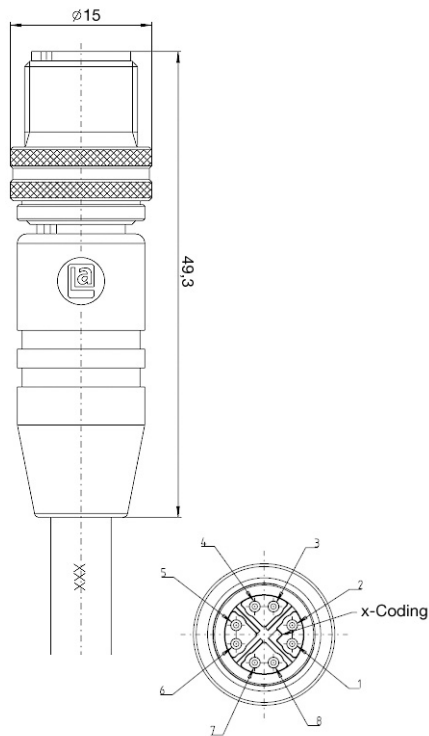
Industrial Connecting Solutions:I/O Modules:I/O Modules Activ - Stand Alone:Industrial Ethernet:Accessories:Industrial Ethernet Data Cables:Overmolded Single Ended Cordsets:0985 478 600/... M
http://e-catalog.hirschmann.com/link/57078-24228-255441-219791-247858-277551-252859-277358-277360/en/0985_478_600_0200/uiistate

Without halogens as in EN 50267-2-3



Picture

Drawing



Belden Deutschland GmbH
 Im Gewerbepark 2
 58579 Schalksmühle
 Germany
 Phone: +49 7127/14-1806
 E-Mail: icos-sales@belden.com

The information published in the websites has been compiled as carefully as possible. It is subject to alteration without notice in technical as well as in price-related/commercial respect. The complete information and data were available on user documentation. Mandatory information can only be obtained by a concrete query.