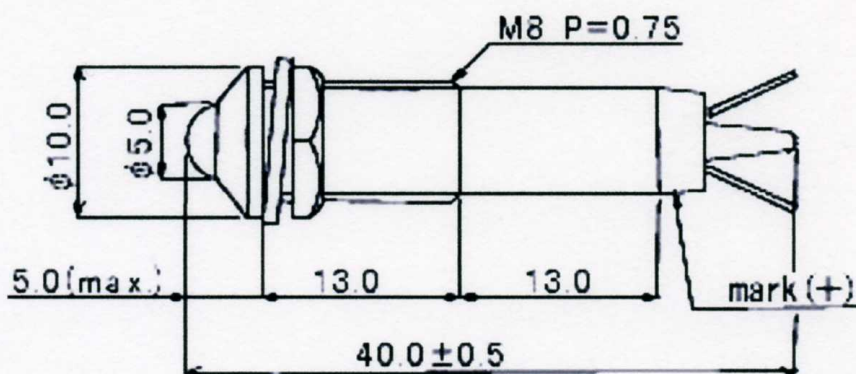


SEDECO MODEL NO. BD-0802 12V, 24V
LED INDICATOR LIGHT

Unit: mm



| DATA | |
|-----------------------------|---|
| Material of Body | Polycarbonate w/PC Lens |
| Color (LED) | Red, Green, Orange, Blue, White |
| Lens | White |
| Voltage | 12V, 24V |
| Voltage Breakdown | AC 1,000V / minute |
| Insulation Resistance | DC 500V 100M Ω or more |
| Operating Temperature | -20°C ~ +75°C |
| Terminals | Solder Terminal |
| Thread | $\phi 8.00$ mm X L 13.0mm Pitch = 0.75mm |
| Mounting Hole (Recommended) | $\phi 8.2$ mm |