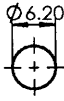
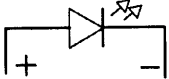
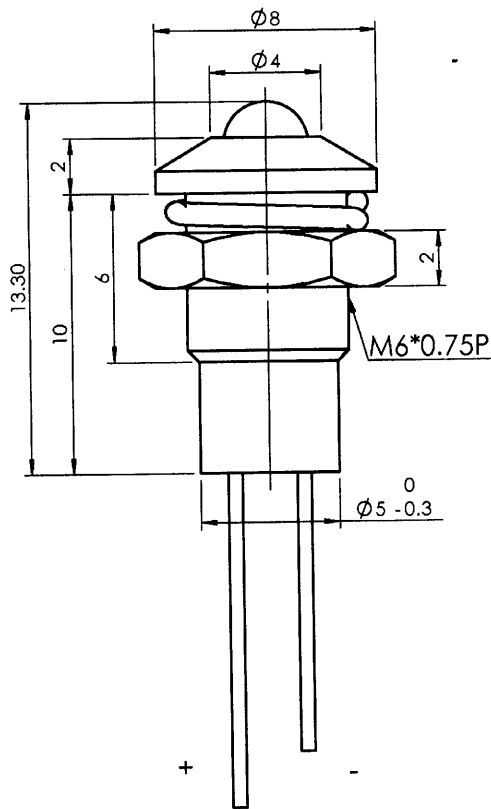
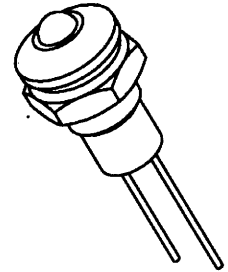



Led Color	Lens Color	VF	IF	Viewing Angle	Mcd	Mounting Hole	Circuit Diagram
Blue	Blue diffused	3.4V	20mA	50°	700	 Panel Thickness: 3.5 max	
Insulation Resistance		DC500V 100M OHM Min					
Dielectric Strength		AC500V 1Minute					
Operation Temperature		-25°C~+85°C					



Remark:
1. LED Type: $\phi 3\text{mm}$
2. Unless Otherwise Specified
All Tolerances To Be ± 0.2
3. ROHS Compliant

						△	
Date	Name	Descriptions				NO	
Drawn	Checked	Approved	SCI No.		Model Name	LED Indicator light	
鍾運穎			Customer No.		Model No.	R9-103L-12-UD	
07.04.07'			Unit	mm	SHIN CHIN INDUSTRIAL CO., LTD.		