
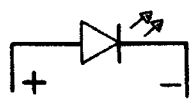
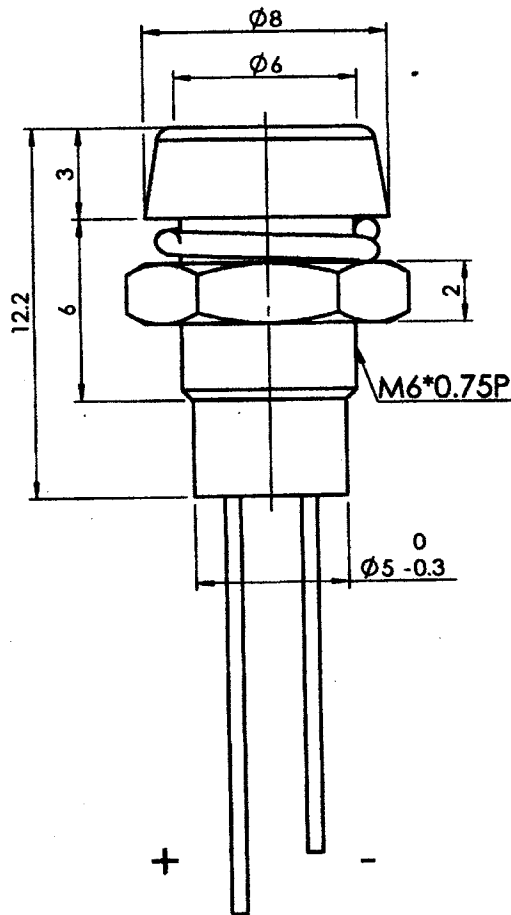


Rating		See Table Below				Mounting Hole	Circuit Diagram
Contact Resistance		See Table Below					
Insulation Resistance		DC500V 100M OHM Min					
Dielectric Strength		AC500V 1 Minute					
Operation Temperature		-25°C~+85°C					
Panel Thickness: 3.5 max							
Led Color	Lens Color	VF	IF	Viewing Angle	Mcd		
Red	Red Diffused	2.0V	20mA	50°	50		
Green	Green Diffused	2.1V	20mA	50°	45		
Yellow	Yellow Diffused	2.1V	20mA	50°	40		



Remark:  
 1. LED Type:  $\phi 3\text{mm}$   
 2. Unless Otherwise Specified  
 All Tolerances To Be  $\pm 0.2$   
 3. ROHS Compliant

							△
Date	Name	Descriptions				NO	
Drawn	Checked	Approved	SCI No.	Model Name	LED Indicator light		
鍾運穎	研發部 鍾75		Customer No.	Model No.	R9-1612		
07.04.07'	李元生		Unit	mm	SHIN CHIN INDUSTRIAL CO., LTD.		