

SPECIFICATION:

Current rating: 16 A
 Voltage rating: 60 V DC max.
 Contact resistance: 5 mΩ max.
 Operating temperature: -25°C up to 85°C

MATERIAL:

Housing: ABS
 Contact: CuZn39Pb3-F51
 Screw: CuZn39Pb3-F51

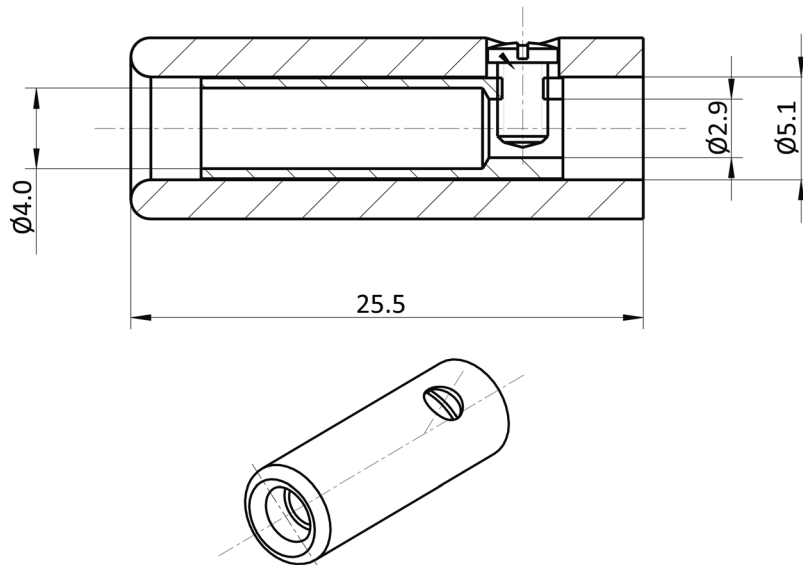
FINISH:

Contact: Blank
 Screw: Blank

HANDLING:

Connection: Screw connection
 Packing: Bulk

RoHS
COMPLIANT



Order-Information

Series:

BAK4

Banana Jack 4.0 mm

Colour:

#

SW: black *

RT: red *

BL: blue *

GE: yellow *

GN: green *

WS: white

GR: grey

BR: brown

OR: orange

* = standard