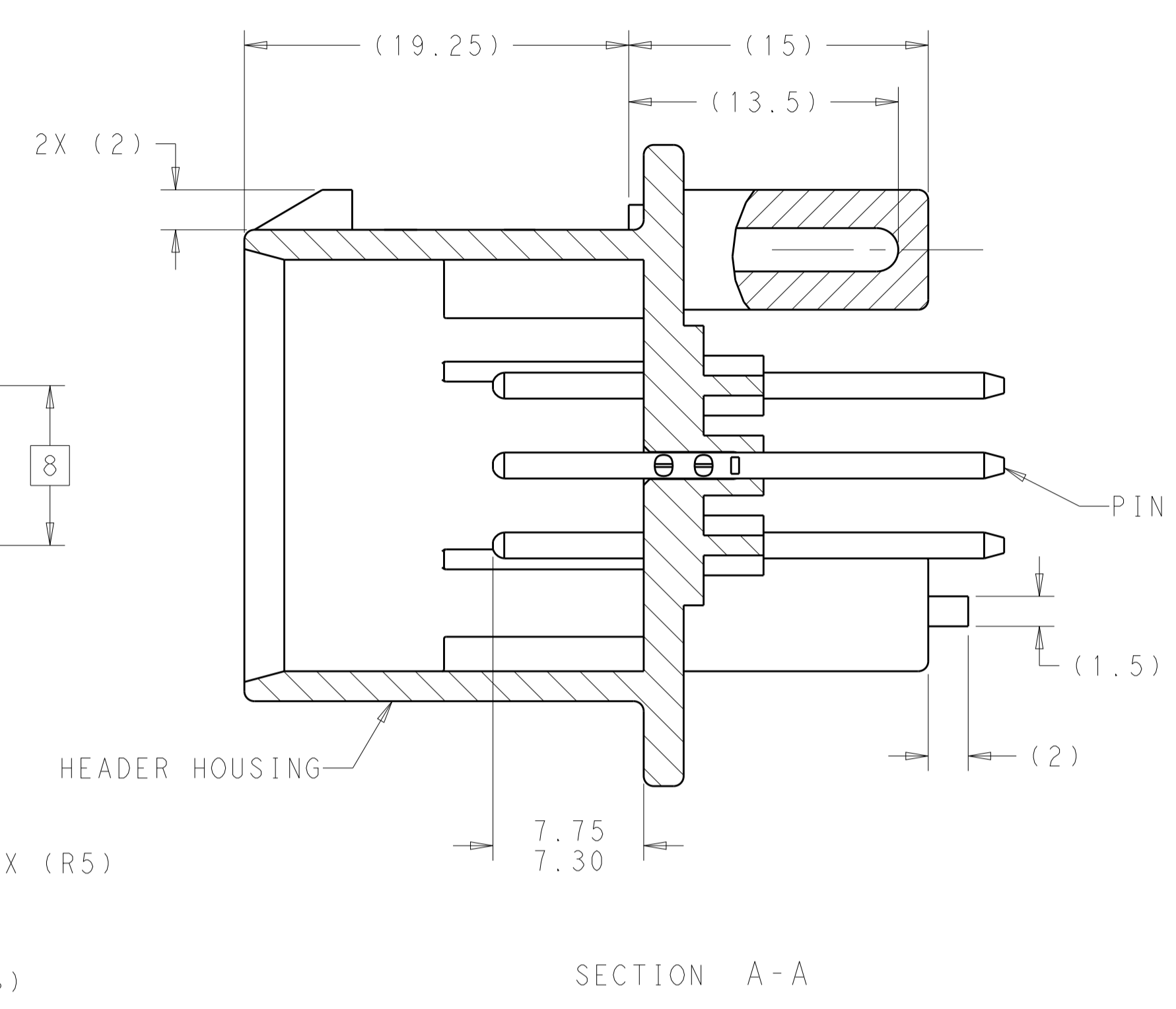
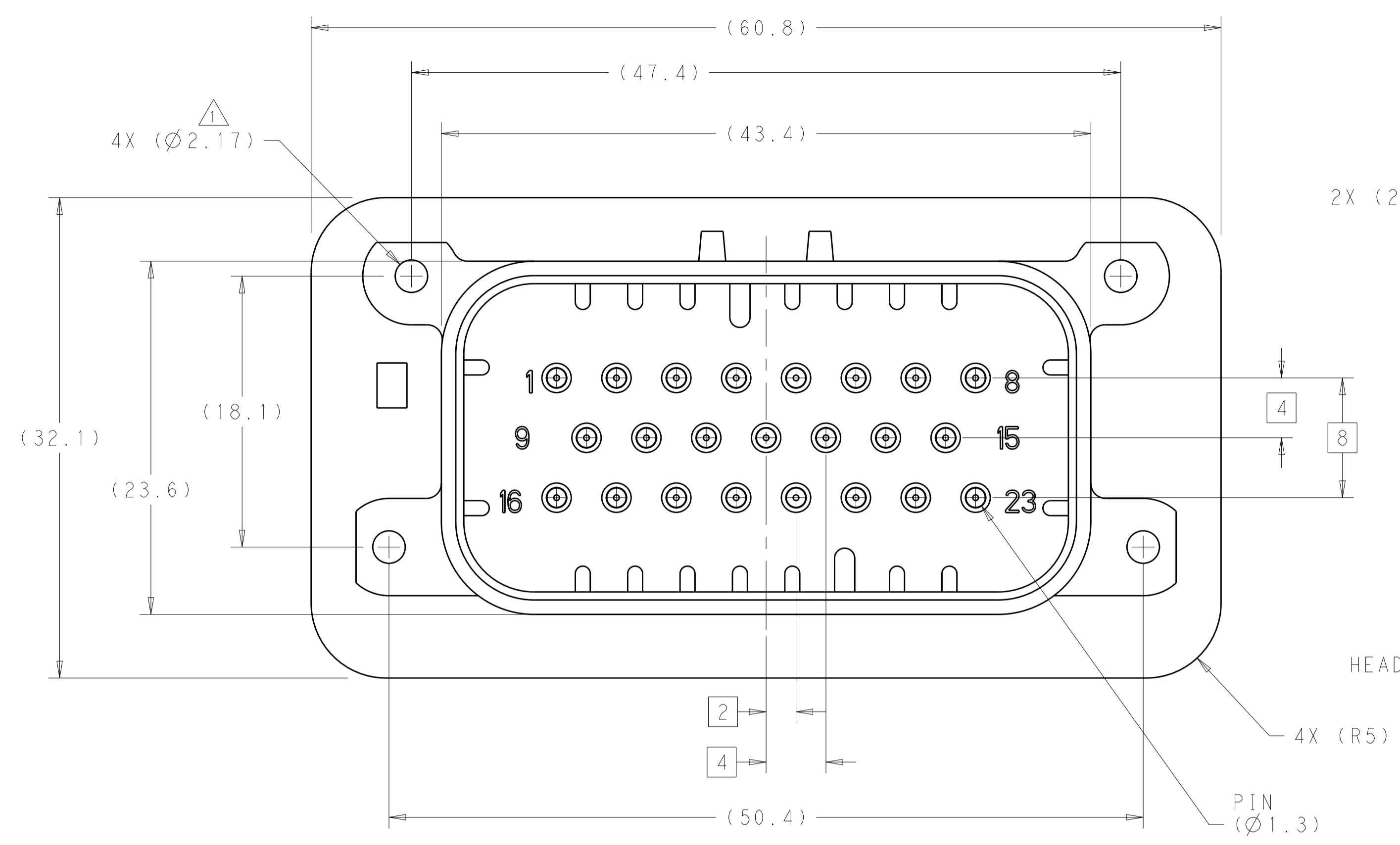
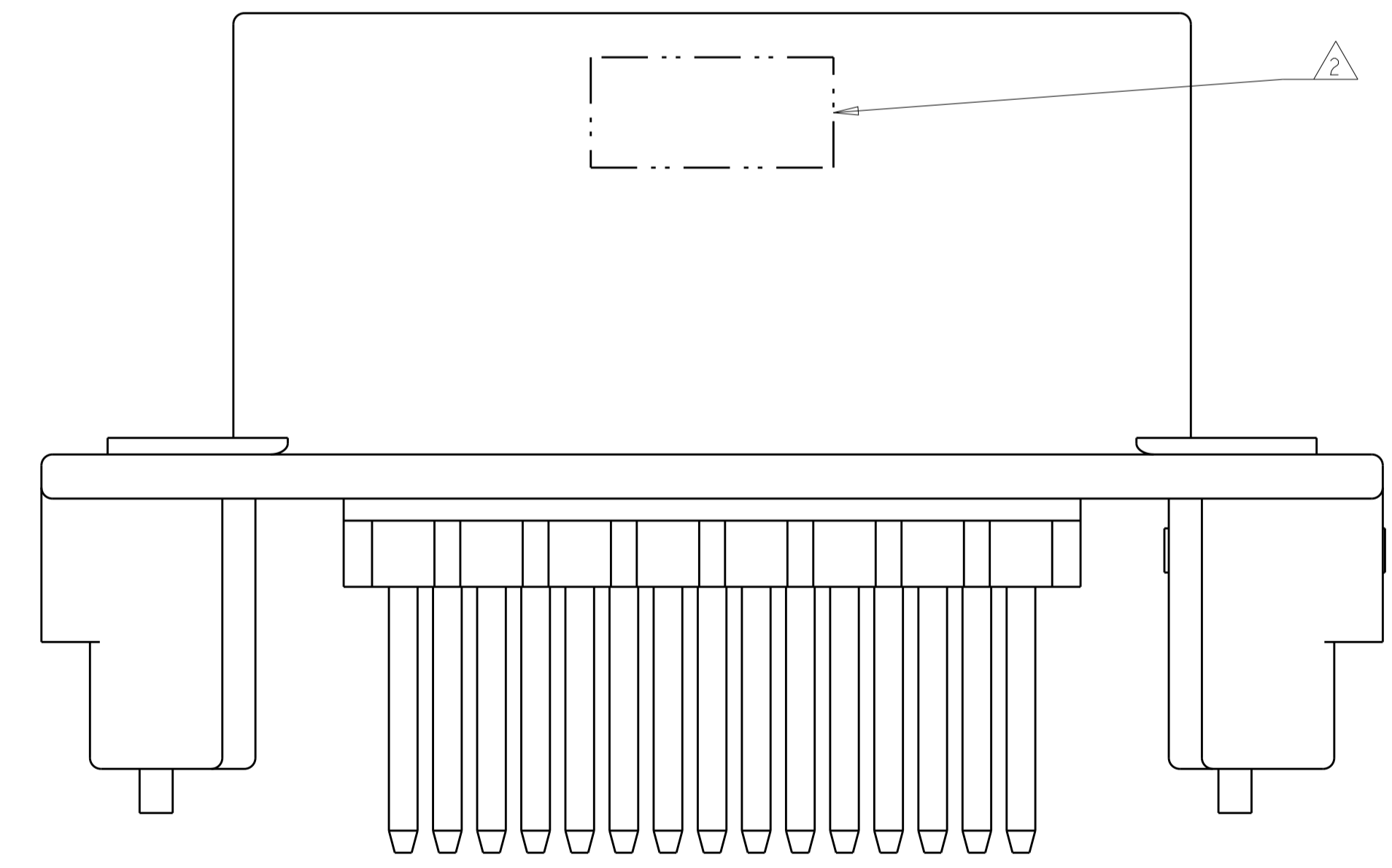


REVISIONS				
P.	LTH	DESCRIPTION	DATE	APP'D
D7		REVISED PER ECO-12-016002	05SEP2012	DD DS
D8		REVISED PER ECO-13-019565	12DEC2013	DD DS
D9		REVISED PER ECO-14-009938	02JUL2014	DD DS
D10		REVISED PER ECO-14-016815	06NOV2014	DD DS



- △ ACCEPTS #4 SELF TAPPING THREAD CUTTING SCREWS OR METRIC EQUIVALENT. DRIVE TO 0.4 N-m MINIMUM
- △ DATE CODE IN THIS LOCATION USING 5 DIGIT CODE FIRST 2 DIGITS = YEAR, SECOND 2 DIGITS = WEEK LAST DIGIT = DAY.
- △ MATERIALS: HEADER HOUSING - GLASS FILLED PBT
PINS - TIN OR GOLD PLATED BRASS
- △ HOUSING COLORS ARE MECHANICALLY KEYED TO MATE ONLY WITH IDENTICALLY COLORED PLUG ASSEMBLIES.
- 5. HEADER MATES TO PLUG ASSEMBLY 770680 WHICH USES REELED TERMINAL 770520 OR LOOSE PIECE TERMINAL 770854



776200-1 & 1-776200-1 SHOWN

HEADER COLOR	PLATING	PART NUMBER
BLUE	DURAGOLD	1-776200-5
GRAY	DURAGOLD	1-776200-4
NATURAL	DURAGOLD	1-776200-2
BLACK	DURAGOLD	1-776200-1
BLUE	TIN	776200-5
GRAY	TIN	776200-4
NATURAL	TIN	776200-2
BLACK	TIN	776200-1

THIS DRAWING IS A CONTROLLED DOCUMENT.

OWN: D. STRAUSSER 04FEB2010
 CHK: D. STRAUSSER 22MAR2010
 APVD: D. STRAUSSER 27APR2010

DIMENSIONS: mm
 TOLERANCES UNLESS OTHERWISE SPECIFIED:
 0 PLC ±0.2
 1 PLC ±0.13
 2 PLC ±0.13
 3 PLC ±0.13
 4 PLC ±0.13
 ANGLES ±45°

MATERIAL: 3
 FINISH: 3

PRODUCT SPEC: 108-1329
 APPLICATION SPEC: 114-16016

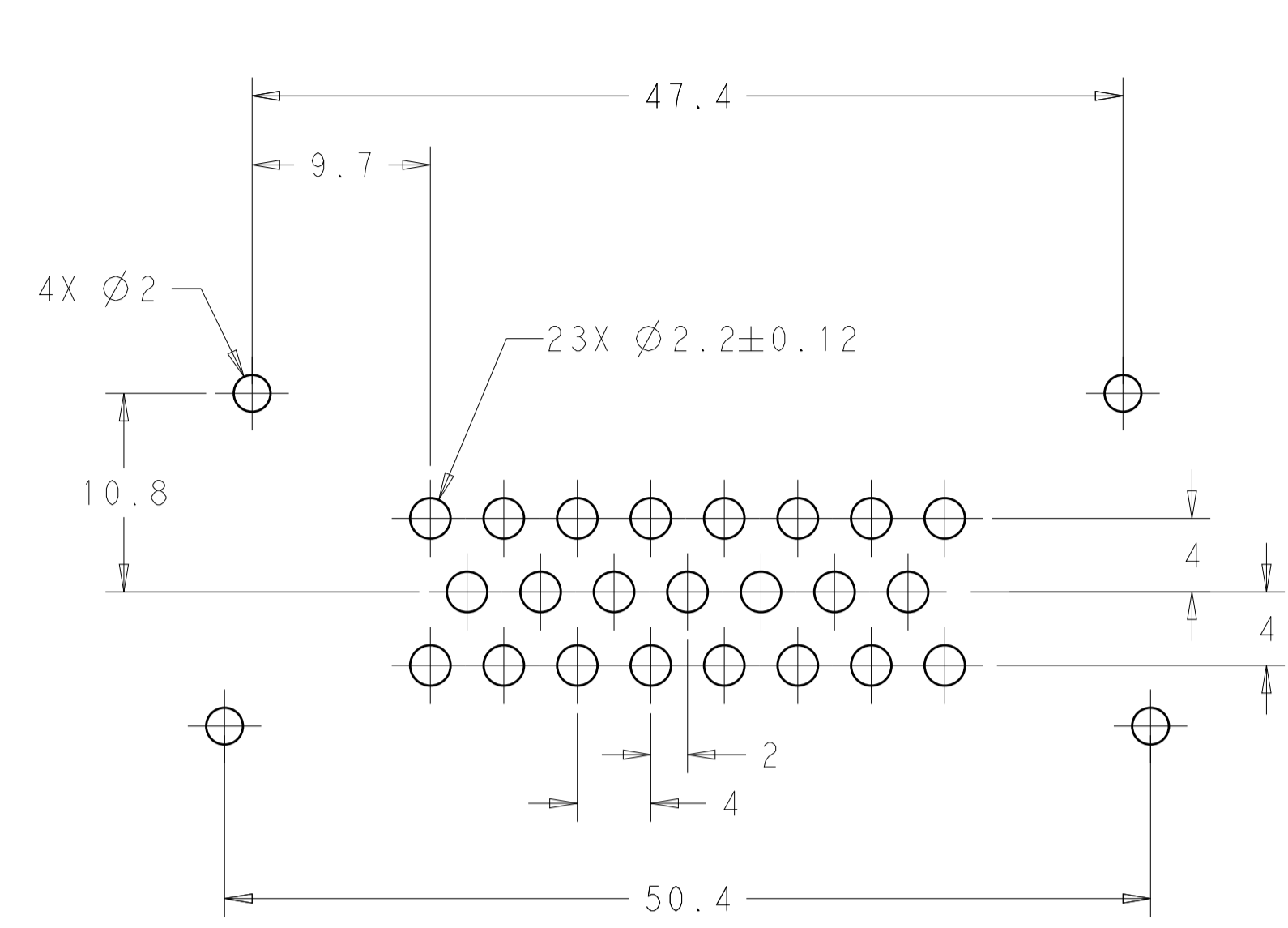
WEIGHT: -
 CUSTOMER DRAWING

NAME: ASSEMBLY, HEADER, 23 POSITION, VERTICAL, AMPSEAL
 SIZE: A1
 CAGE CODE: 00779
 DRAWING NO: 776200

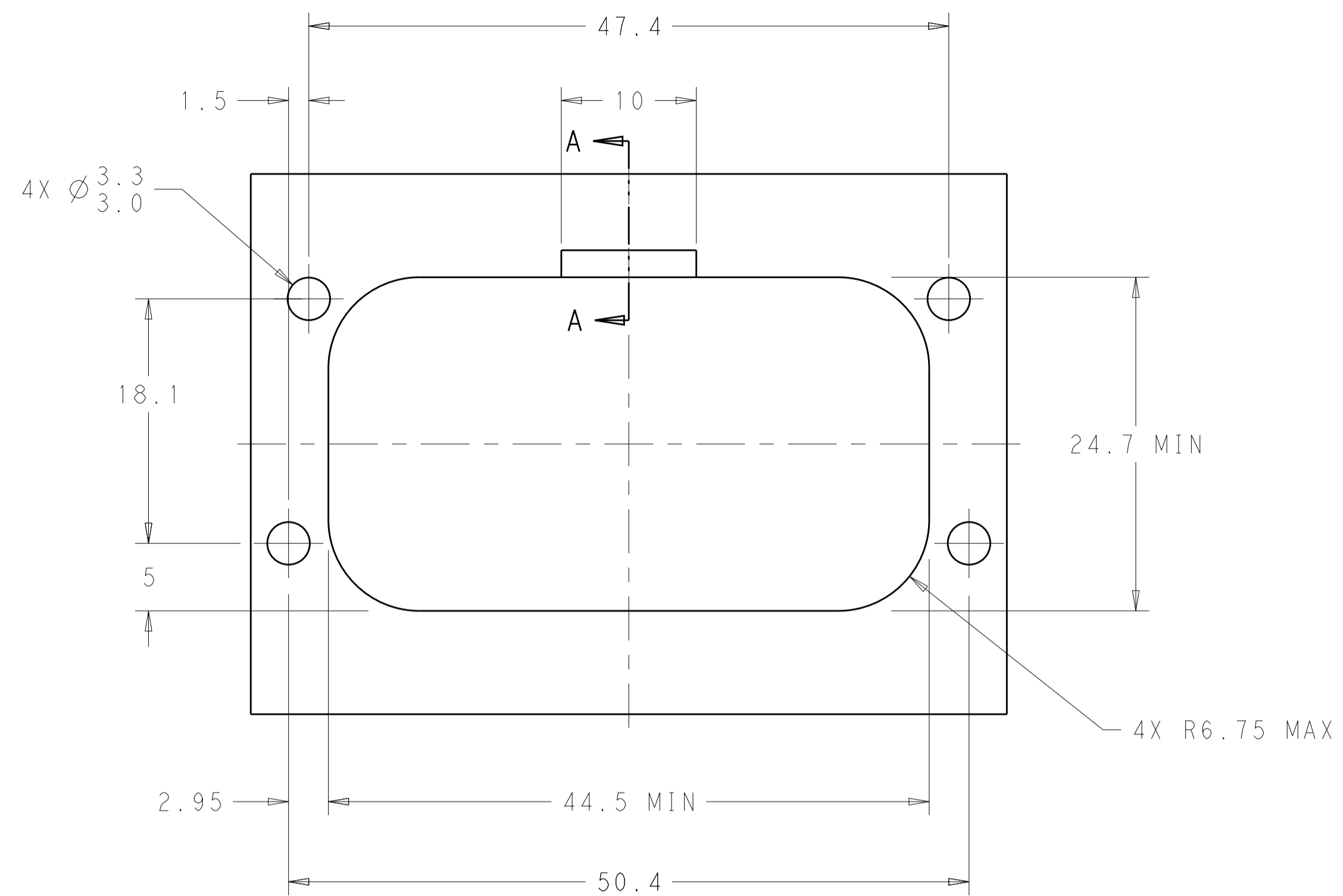
RESTRICTED TO: -
 SCALE: 4:1
 SHEET: 1 OF 2
 REV: D10

TE Connectivity

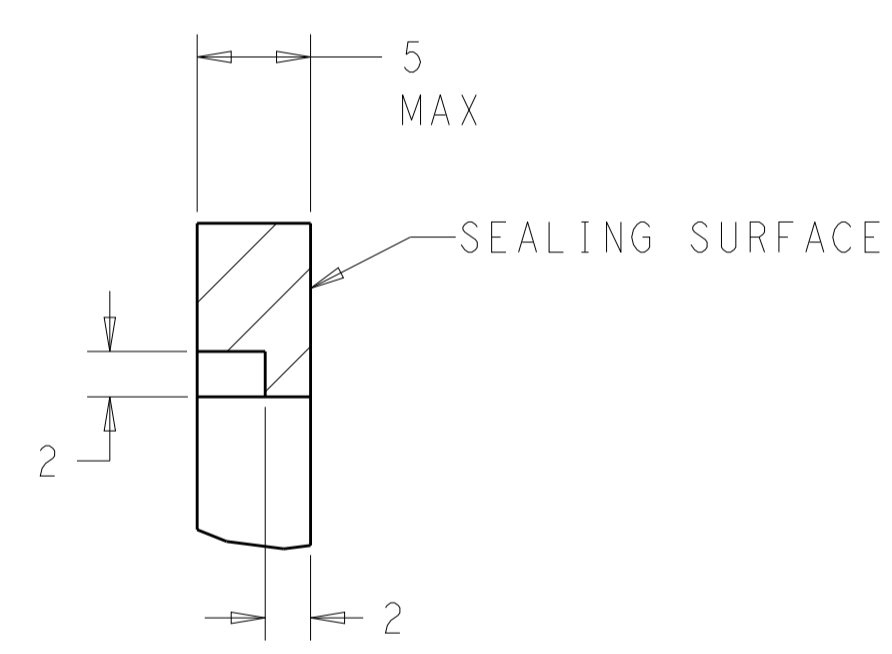
REVISIONS				
P.	LTN.	DESCRIPTION	DATE	APVD.
-	-	SEE SHEET 1	-	-



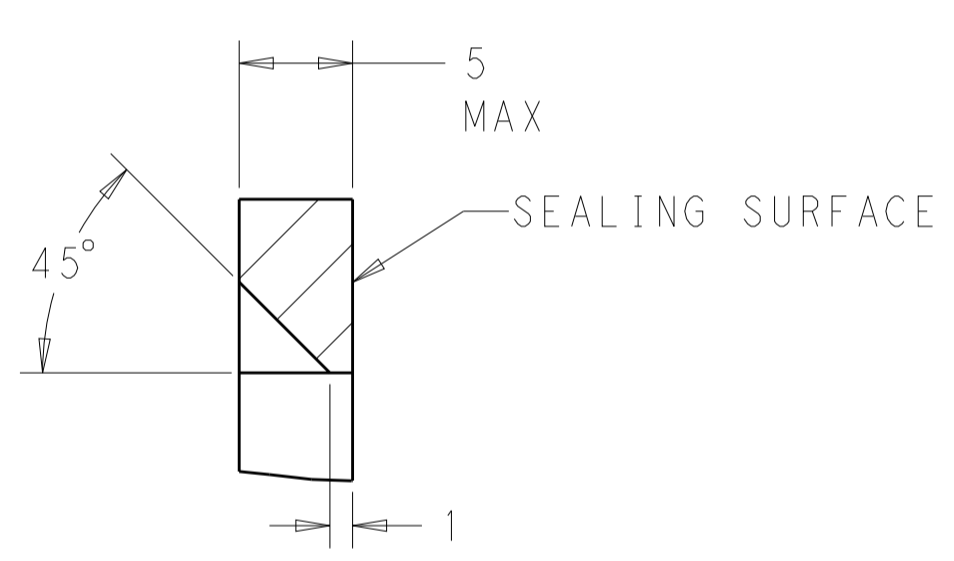
RECOMMENDED P.C. BOARD LAYOUT
 FOR 1.57 THICK P.C. BOARD



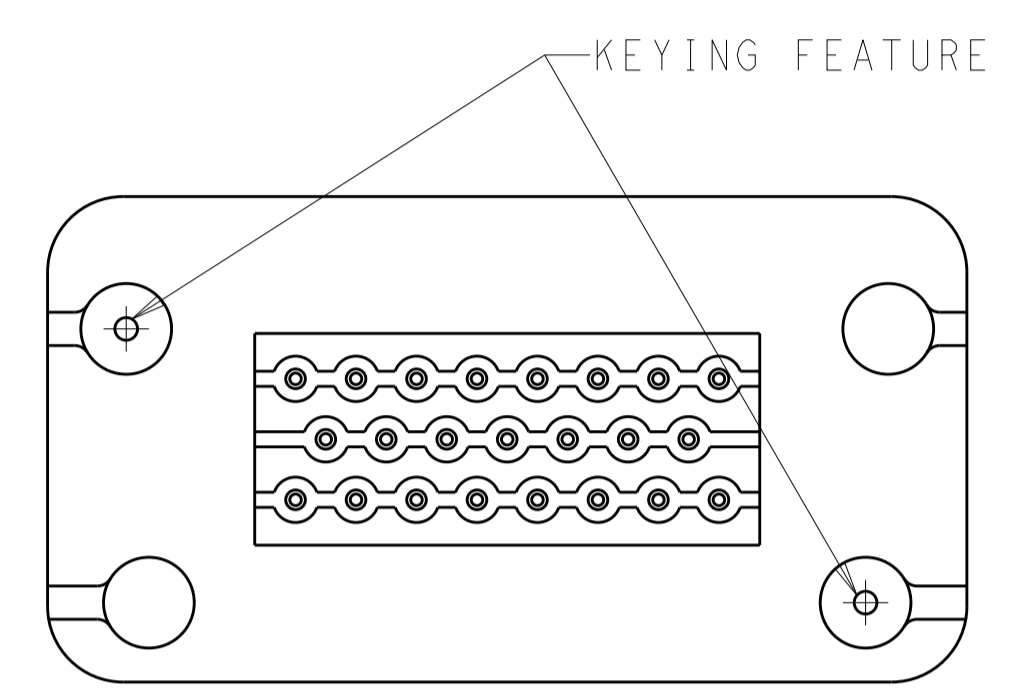
RECOMMENDED MOUNTING HOLE LAYOUT
 FOR 5.0 MAX THICK PANEL



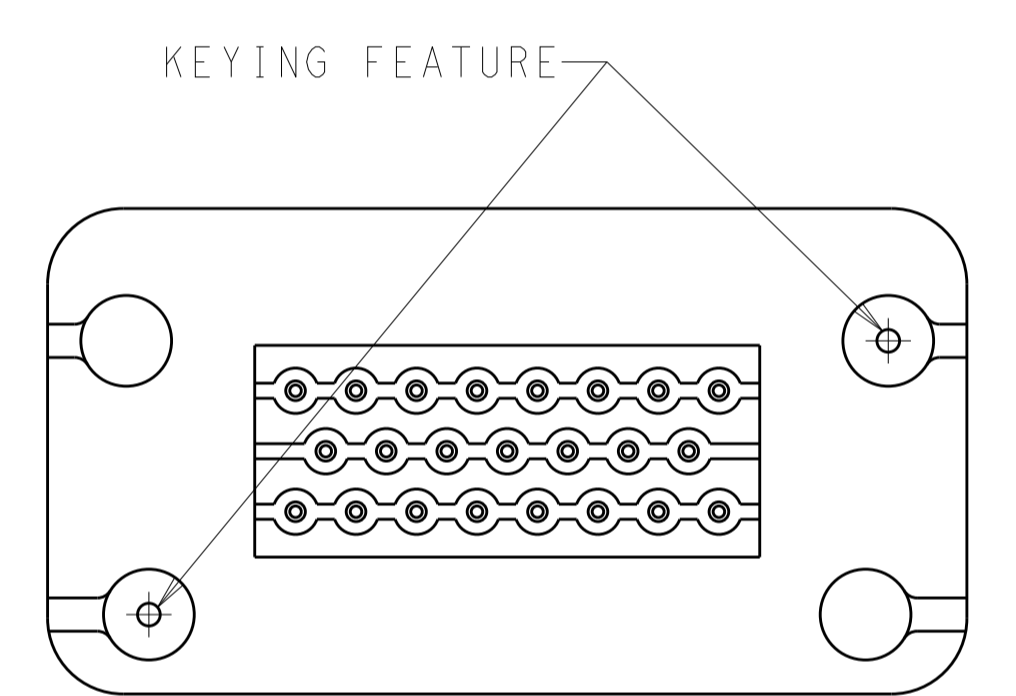
SECTION A-A
 OPTIONAL CONSTRUCTION IF PANEL
 THICKNESS IS GREATER THAN 2.0



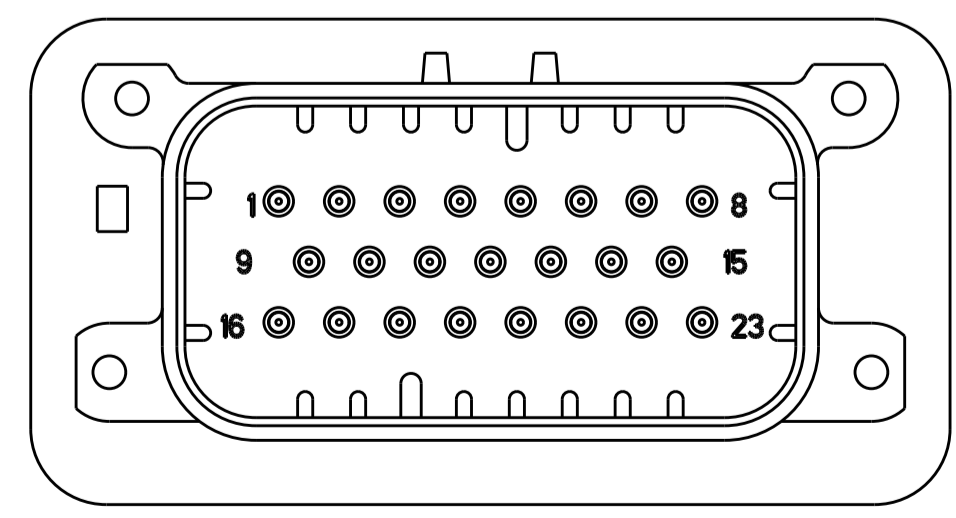
SECTION A-A
 OPTIONAL CONSTRUCTION IF PANEL
 THICKNESS IS GREATER THAN 2.0



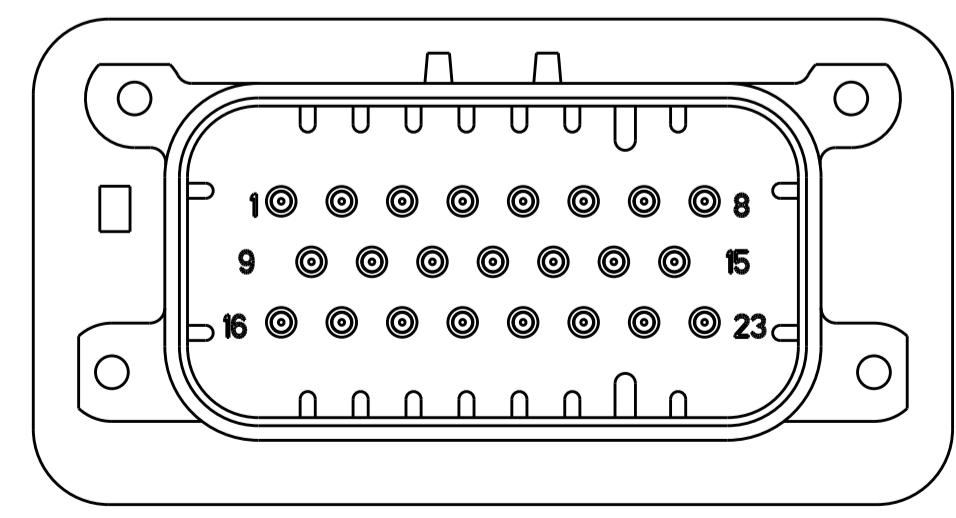
KEYING FOR 776200-1 AND 776200-5
 SCALE 2:1



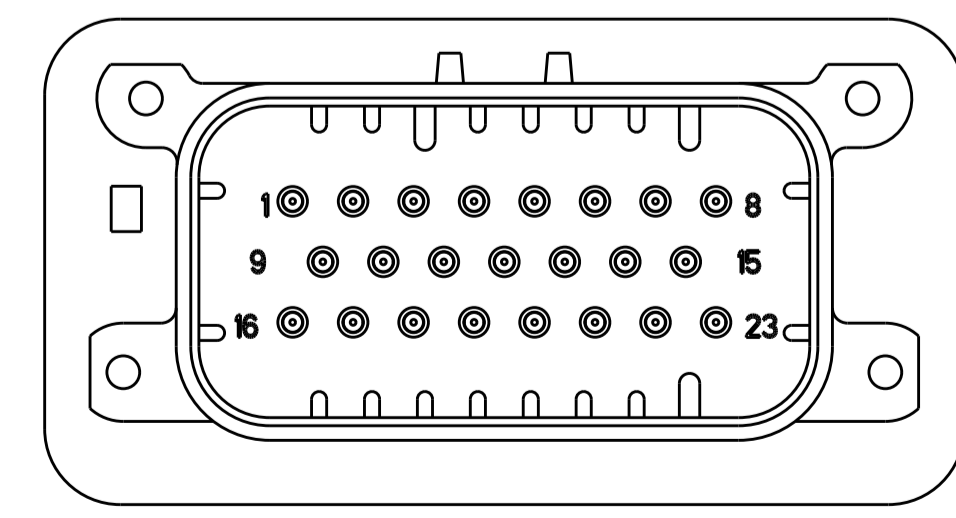
KEYING FOR 776200-2 AND 776200-4
 SCALE 2:1



776200-2 & 1-776200-2
 KEY LOCATION
 SCALE 2:1



776200-4 & 1-776200-4
 KEY LOCATION
 SCALE 2:1



776200-5 & 1-776200-5
 KEY LOCATION
 SCALE 2:1

THIS DRAWING IS A CONTROLLED DOCUMENT.		OWN: D. STRAUSSER 04FEB2010	TE Connectivity	
DIMENSIONS: mm		CHK: D. STRAUSSER 22MAR2010		
TOLERANCES UNLESS OTHERWISE SPECIFIED:		APVD: D. STRAUSSER 27APR2010	NAME: ASSEMBLY, HEADER, 23 POSITION, VERTICAL, AMPSEAL	
0 PLC ±0.2		PRODUCT SPEC: 108-1329	SIZE: CAGE CODE DRAWING NO: A100779C=776200	
1 PLC ±0.13		APPLICATION SPEC: 114-16016	RESTRICTED TO: -	
2 PLC ±0.13		WEIGHT: -	SCALE: 4:1 SHEET 2 OF 2 REV: 010	
3 PLC ±0.13		CUSTOMER DRAWING		
4 PLC ±0.13				
ANGLES ±0.5°				
FINISH: -				