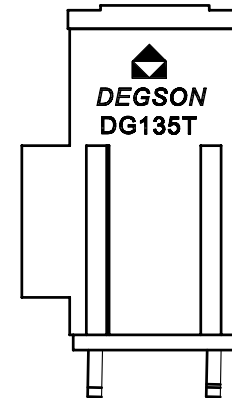
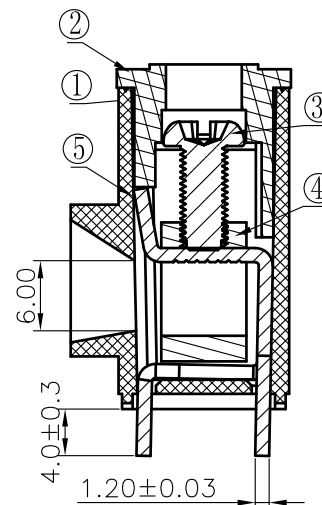
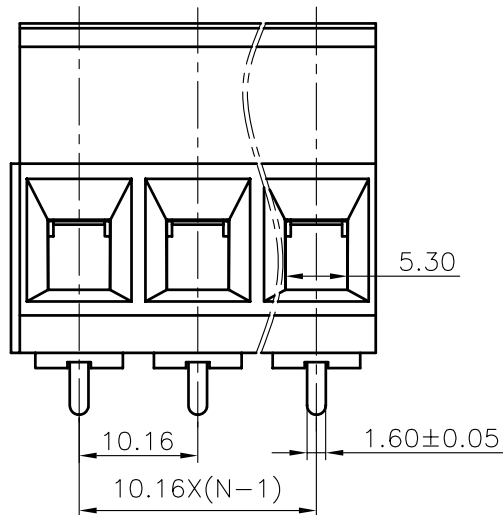
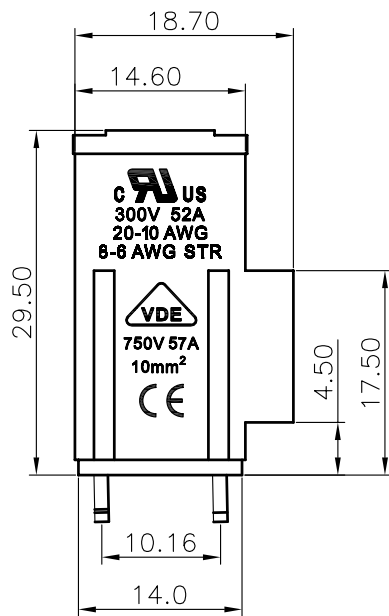
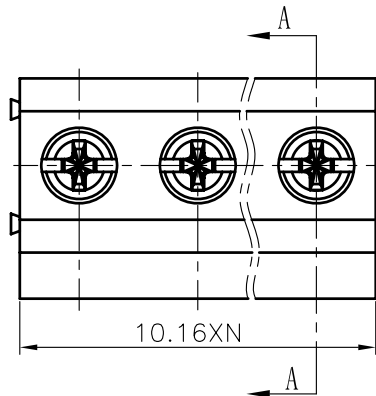


REVISION RECORD				
REV	ECN	DESCRIPTION	DRFT	DATE



SECTION A-A

- NOTES:
- 1.DIMENSION SHALL BE INTERPRETED PER ASME Y14.5-2009.
  - 2.PITCH:10.16MM ,POLES:2-XXP
  - 3.RATED VOLTAGE/CURRENT:UL 300V/52A  
VDE 750V/57A
  - 4.OPERATION TEMPERATURES:-40℃~+105℃
  - 5.WITHSTANDING VOLTAGE:AC2000V/1MIN
  - 6.INSULATION RESISTANCE:5000MΩ/DC1000V
  - 7.WIRE RANGE:20~6AWG,10MM<sup>2</sup>
  - 8.MAX.TORQUE VALUE:M4,12.24KGF.CM
  - 9.UNDIMENSIONED TOLERANCES:

Pitch range in mm		Nominal dimension range in mm						
	over 6	over 10	over 30	over 60	over 100	over 150		
to 6	to 10	to 24	to 30	to 60	to 100	to 150	○	
±0.10	±0.15	±0.25	±0.2	±0.3	±0.5	±0.7	□	
							±0.05/10	

ITEM	NAME OF PART	NO. OF PART	Q"TY	MATERIAL	NOTES
5	DG135T- Pin header	4010B00020(H)	XX	Pure copper	SnCe
4	DG135T- Cage	X000000920(H)	XX	Brass	Ni Plated
3	DG135T- Screw	S000001520(H)	XX	Steel	C <sup>3+</sup> Zn
2	DG135T-10.16-00A Cover	4010C0YXXA(H)	1	PBT	UL94V-0
1	DG135T-10.16-00A Housing	4010A0YXXA(H)	1	PBT	UL94V-0

MM (INCH)		MATERIAL:		DEGSON <sup>®</sup>	
TOLERANCES EXCEPT AS NOTED		FINISH:		NAME:	
.X ±	.X' ±	PART NO.:		DG135T-10.16-XXP-1Y-00A(H)	
.XX ±	.XX' ±	APPD:		TITLE: ASSEMBLY DRAWING	
.XXX ±	.XXX' ±	CHKD:		DRAWING NO.: DG135T-10.16-E01	
ANGLES ± 1'		DRFT: HW 10/11/05"		REV	T6
THIRD ANGLE PROJECTION		DO NOT SCALE DRAWING		SCALE	N/A
		SHEET		1/1	