

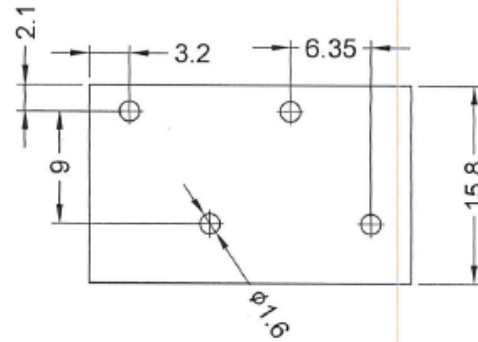
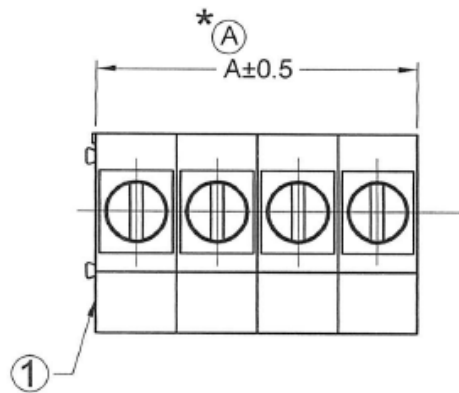
Type No:MH140
Order No:MH140-635M7XX

Distributed by Conrad Electronic SE



Pitch:6.35mm(0.250inch)

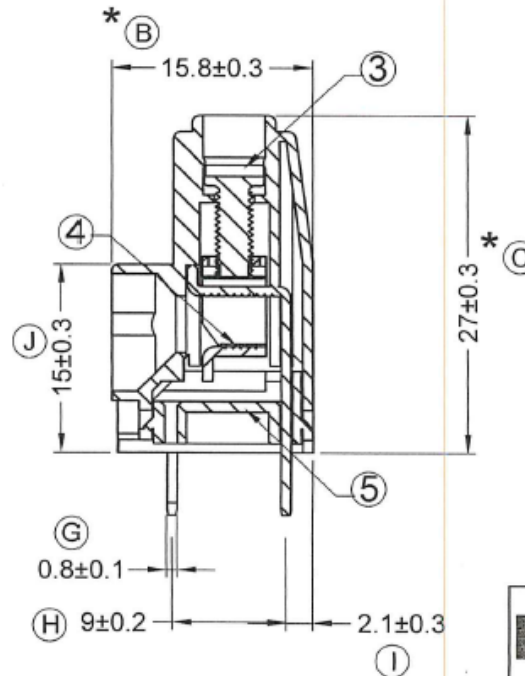
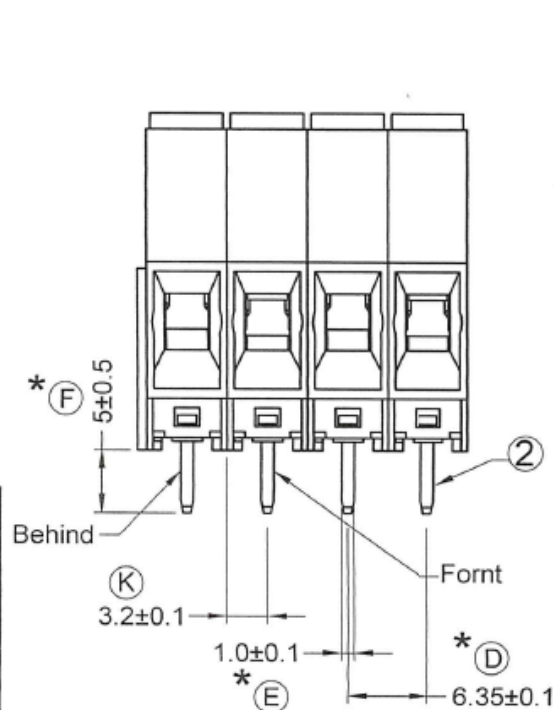
Poles	Almm	Alinch	Poles	Almm	Alinch
1	6.35	0.250	14	88.90	3.500
2	12.70	0.500	15	95.25	3.750
3	19.05	0.750	16	101.60	4.000
4	25.40	1.000	17	107.95	4.250
5	31.75	1.250	18	114.30	4.500
6	38.10	1.500	19	120.65	4.750
7	44.45	1.750	20	127.00	5.000
8	50.80	2.000			
9	57.15	2.250			
10	63.50	2.500			
11	69.85	2.750			
12	76.20	3.000			
13	82.55	3.250			



1. Current rating : 35Amp 600V
2. Insulation withstands volt : AC2000 min
3. Operation temperature : -40° C to +105° C
4. Screw torque : 9 lb-in
5. Wire size : 8~18AWG
6. Insulation stripping length : 10~11mm
7. Insulation resistance : >2000MΩ DC500V

CONFIRMED & ACCEPTED BY:

	Material	Plating/Finish	Remark
1	Insulating body Polyamide 66(UL94V-0)		Green
2	Terminal Copper	Tin plated	
3	Screw Steel	Zinc plated	
4	Cage clamp Steel	Zinc plated	
5	Cover Polyamide66(UL94V-0)		Green



DECA® SwitchLab Inc.

DESIGN	CHECK	APPROVE
DATE	DATE	DATE
2014/03/24	2014/03/24	2014/03/24

PART NAME	UNIT	SCALE
Terminal Blocks	MM	1:1
DRAWING NO.		SHEET
MH140-635M7XX		1/1

REV.
C
D