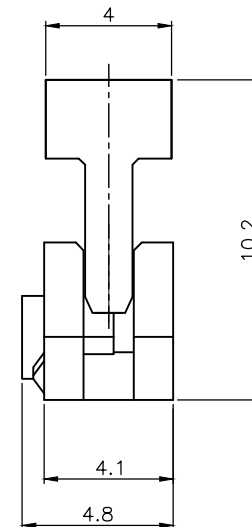
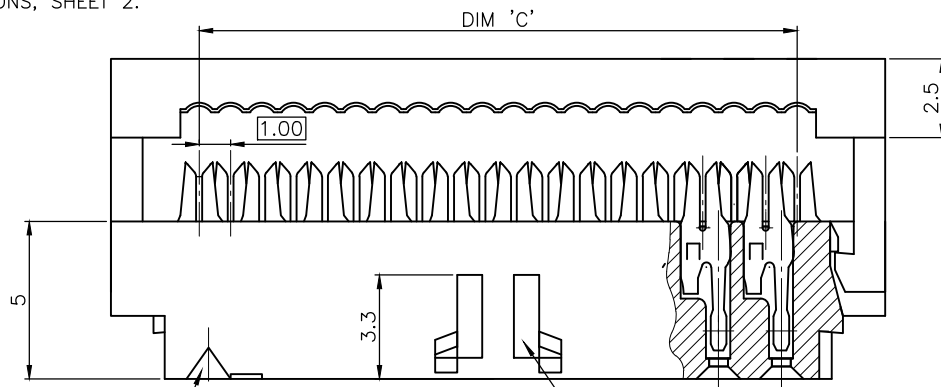


PRODUCT NUMBER

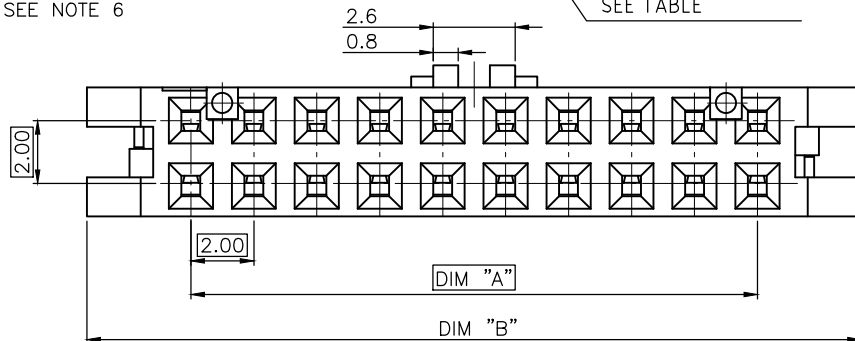
89361-YXXSLF

- LEAD FREE, RoHs COMPLIANT
SEE NOTE 4
- STRAIN RELIEF OPTION, NOTE 5.
- TOTAL NB OF POSITIONS, SHEET 2.
- FEATURES, SHEET 2.



INDICATES POS 1
SEE NOTE 6

CENTRAL KEY OPTION
SEE TABLE



VIEW WITHOUT COVER

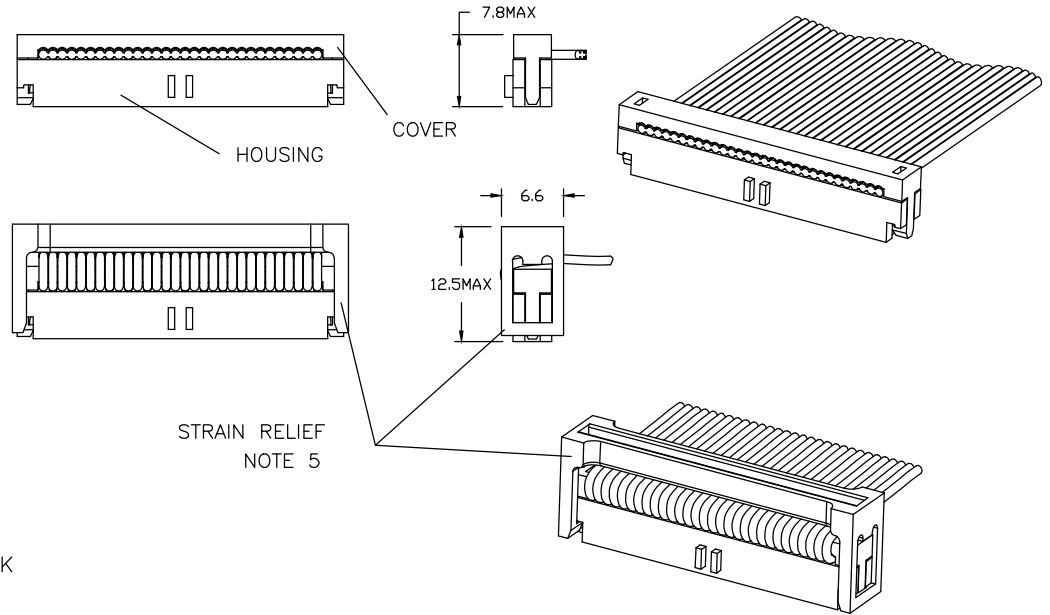
mat'l. code SEE NOTE				surface ISO 1302 <input checked="" type="checkbox"/> ISO 406 ISO 1101		tolerance ISO 406 ISO 1101		projection 		product family MINITEK	
ltr	ecn no	dr	date	tolerances unless otherwise specified		linear		mm		title 2.00mm IDC 0.2µm Au	
K	F06-0211	LMU	06.07.03	angles		linear		mm		dwg no	
L	F07-0215	LMU	07.06.12	0°±x'		linear		scale 1:1		sheet 1 of 2	
M	F08-0218	JCO	08.09.09	dr		L.MULIN		07.03.20		size A3	
N	F09-0081	JCO	09.08.27	engr		J.COMPAGNON		07.03.20		89361	
P	F-21434	BVE	15.07.16	chr		JM.C		07.03.20		Product Customer Drawing	
sheet index		revision sheet		P	P						
				1	2						



FCIconnect.com

Copyright FCI

PRODUCT SIZE	TOTAL NB OF POS	DIM "A"	DIM "B"	DIM "C"	STRAIN RELIEF OPTION
89361-X06LF	2x3	4	10.6	5	YES
-X08LF	2x4	6	12.6	7	YES
-X10LF	2x5	8	14.6	9	YES
-X12LF	2x6	10	16.6	11	YES
-X14LF	2x7	12	18.6	13	YES
-X16LF	2x8	14	20.6	15	YES
-X18LF	2x9	16	22.6	17	YES
-X20LF	2x10	18	24.6	19	YES
-X22LF	2x11	20	26.6	21	NOT TOOLED
-X24LF	2x12	22	28.6	23	YES
-X26LF	2x13	24	30.6	25	YES
-X28LF	2x14	26	32.6	27	NOT TOOLED
-X30LF	2x15	28	34.6	29	YES
-X34LF	2x17	32	38.6	33	YES
-X36LF	2x18	34	40.6	35	NOT TOOLED
-X40LF	2x20	38	44.6	39	YES
-X44LF	2x22	42	48.6	43	YES
-X48LF	2x24	46	52.6	47	YES
-X50LF	2x25	48	54.6	49	YES



NOTES :

- MATERIAL : TERMINAL PHOSPHORE BRONZE
BASE AND COVER : PBT GLASSFILLED UL 94V-0 BLACK
- PLATING : GOLD 0.2µm Au MIN ON CONTACT AREA
NICKEL 1.27µm MIN UNDERPLATING ALL OVER
- RECOMMENDED CABLE SIZE : AWG28, STRANDED
- THIS PRODUCT MEETS EUROPEAN UNION DIRECTIVES AND OTHER COUNTRY REGULATIONS AS PER GS-22-008.
PACKAGING SPECIFICATION AS PER GS-14-920.
- S= STRAIN RELIEF ACCESSORY, SEE TABLE FOR AVAILABILITY,
OMIT LETTER FROM PARTNUMBER IF NOT APPLICABLE.
- SIZE 2 X 3 AND 2 X 4 WILL NOT HAVE POSITION #1 TRIANGLE SHOWING

				AVAILABILITY
89361-7XX			○	FROM 2X3 POS UP TO 2X17
89361-3XX		○		FROM 2x17 POS UP TO 2x25
89361-1XX	○			FROM 2x3 POS UP TO 2x25
PRODUCT CODE	WITHOUT CENTRAL KEY	WITH CENTRAL KEY	WITH CENTRAL KEY AND FRICTION LATCH BUMP	

mat'l. code SEE NOTE				surface ISO 1302 ✓	tolerance ISO 406 ISO 1101	projection 	product family
ltr	ecn no	dr	date	tolerances unless otherwise specified		mm	title 2.00mm IDC 0.2µm Au
K	F06-0211	LMU	06.07.03	angles	linear		
L	F07-0215	LMU	07.06.12	0'±'	.00±.13	scale 1:1	dwg no 89361 sheet 2 of 2 size A3
M	F08-0218	JCO	08.09.09		.000±.05		
N	F09-0081	JCO	09.08.27	dr	L.MULIN	07.03.20	
P	F-21434	BVE	15.07.16	engr	J.COMPAGNON	07.03.20	
				chr			type Product Customer Drawing
				appd	JM.C	07.03.20	
sheet index	revision sheet						