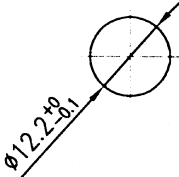
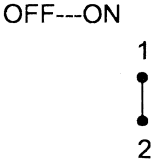
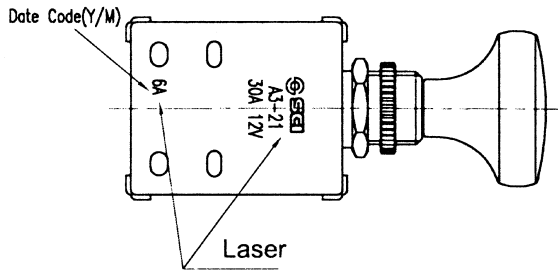
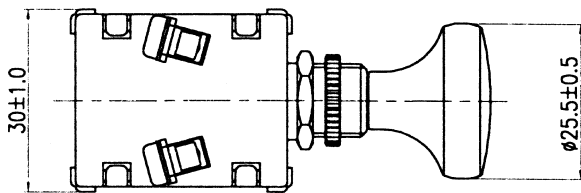
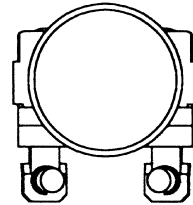
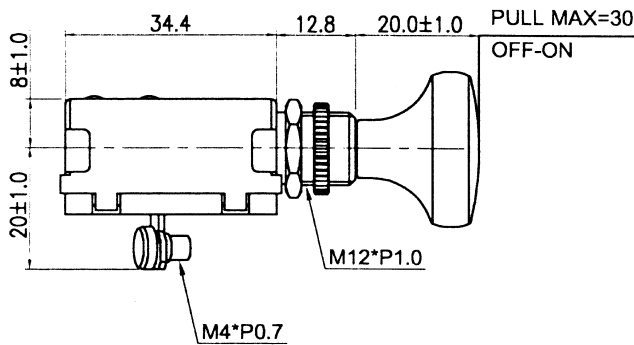


Rating	30A 12V DC		
Contact Resistance	50m ohm Max.		
Insulation Resistance	DC 500V 100M ohm Min.		
Dielectric Strength	AC 1500V 1 minute		
Operation Temperature			
Switch Function	PUSH/PULL OFF-ON		



Material:
 Base: Black, PF
 Cover: Zinc Plated, SPCC
 Actuator: Black, ABS



Tolerances ± 0.3 Unless Otherwise Specified

								△
								△
Date	Name	Description					No.	
Drawn	Checked	Approved	SCI BOM No.	Model Name		push/pull switch		
Ruby		<i>Sima</i>	Customer No.	Model No.		A3-21		Rev.
1/25/16		1/26-16	Unit	mm	Shin Chin Industrial Co., Ltd.			X0