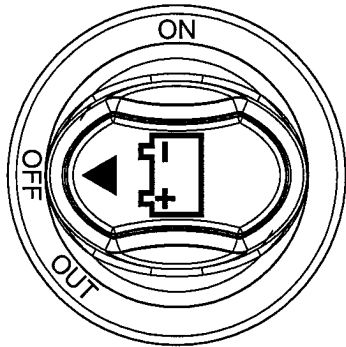


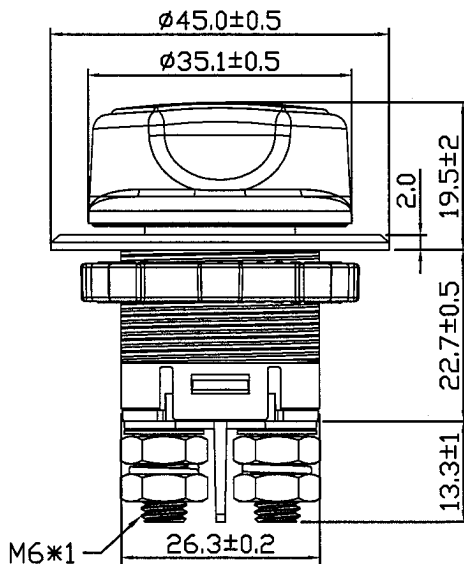
Continuous Rating	100A 32VDC Max.		Circuit Diagram	
Intermittent Rating	150 Amps		OFF	ON
Cranking Rating	500 Amps 5 sec.			
Contact Resistance	50m ohm Max			
Insulation Resistance	DC 500V 100M ohm Min			
Dielectric Strength	AC 1000V 1 minute, DC 2000V 1 minute			
Operation Temperature	-30°C~+60°C			
Switch Function	2P SPST OFF-ON			
		Panel Thickness:11.0mm Max.		



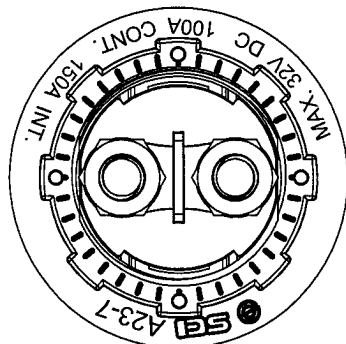
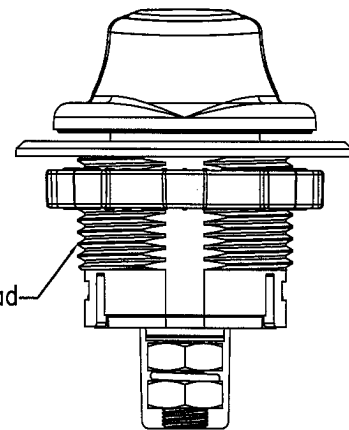
***MATERIAL:**

Housing: Black, PA#66+33%GF
with White hot stamping
Actuator: Red, PBT+15%GF
Name Plate: White, ABS
with Black hot stamping
Bottom: Black, PBT+15%GF
Nut: Black, PA#66
Bolt: Brass
Hex Nut: Ni-plated, Brass

1 NUT ASSY



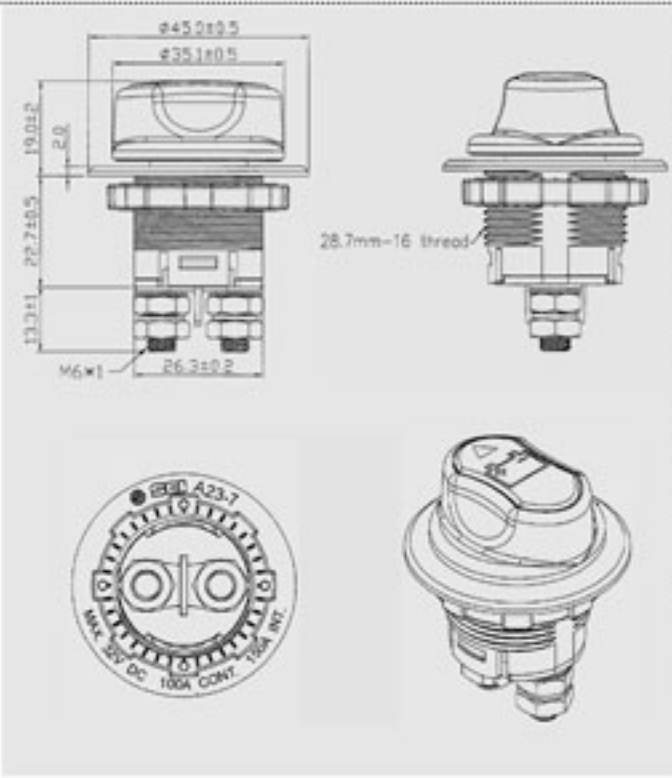
28.7mm-16 thread



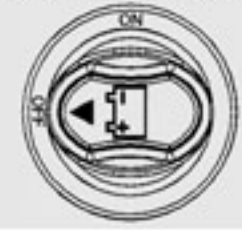
tolerances Unless otherwise specified ±0.3

								△
								△
Date	Name	Descriptions						NO
Drawn	Checked	Approved	SCI BOM No.		Model Name	Battery SWITCH		
曹盈芳		王作山	Customer No.		Model No.	A23-7B		REV.
08/31/'16		8/31/16	Unit	mm				0

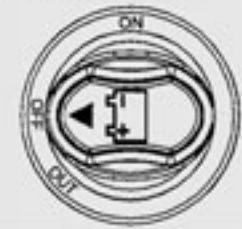
A23-7



A Actuator can't be take out.



B Actuator can be take out.



Panel Thickness: 11.0mm Max.

B



Panel Thickness: 16.0mm Max.

Continuous Rating

100 Amps 32VDC Max.

Contact Resistance

50M Ω Max

Intermittent Rating

150 Amps

Cranking Rating

500 Amps 5 sec.

Insulation Resistance

DC 500V 100M Ω Min

Dielectric Strength

AC 1000V 1 minute

DC 2000V 1 minute

Operation Temperature

-30 $^{\circ}$ C ~ +60 $^{\circ}$ C

Switch Function

2P SPST OFF-ON

FEATURES:

- Material:
 - Housing: Black, PA#66+33%GF, with white hot stamping
 - Actuator: Red, PBT+15%GF
 - Name Plate: White, ABS with black hot stamping
 - Bottom: Black, PBT+15%GF
 - Nut: Black, PA#66
 - Hex Nut: Ni-plated, Brass