

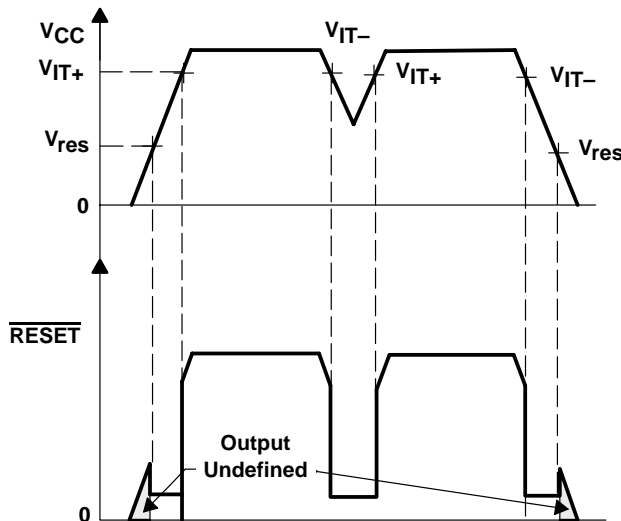
TL7757, TL7757Y SUPPLY VOLTAGE SUPERVISOR AND PRECISION VOLTAGE DETECTOR

SLVS041D – SEPTEMBER 1991 – REVISED AUGUST 1995

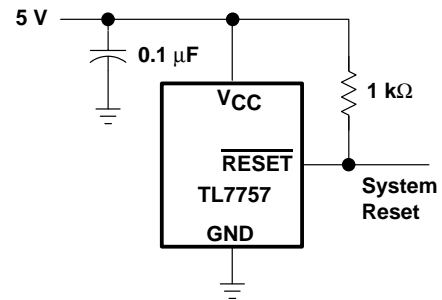
available features

- Power-On Reset Generator
- Automatic Reset Generation After Voltage Drop
- Low Standby Current . . . 20 μ A
- Reset Output Defined When V_{CC} Exceeds 1 V
- Complementary Reset Output
- Precision Threshold Voltage
4.55 V \pm 120 mV
- High Output Sink Capability . . . 20 mA
- Comparator Hysteresis Prevents Erratic Resets

TYPICAL TIMING DIAGRAM



TYPICAL APPLICATION DIAGRAM



description

The TL7757 is a monolithic supply voltage supervisor designed for use in microcomputer and microprocessor systems. The supervisor monitors the supply voltage for undervoltage conditions. During power up, when the supply voltage, V_{CC} , attains a value approaching 1 V, the \overline{RESET} output becomes active (low) to prevent undefined operation. If at any time, the supply voltage drops below threshold voltage level (V_{IT-}), the \overline{RESET} output goes to the active (low) level until the supply undervoltage fault condition is eliminated.

The C-suffix device is characterized for operation from 0°C to 70°C. The I-suffix device is characterized for operation from -40°C to 85°C. The M-suffix device is characterized for operation from -55°C to 125°C.

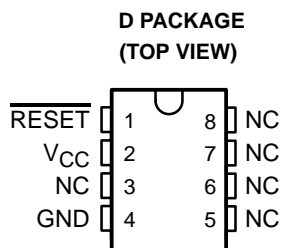
AVAILABLE OPTIONS

T_A	PACKAGED DEVICES			CHIP FORM (Y)
	SMALL OUTLINE (D)	TO-226AA (LP)	SOT-89 (PK)	
0°C to 70°C	TL7757CD	TL7757CLP	TL7757CPK	TL7757Y
-40°C to 85°C	TL7757ID	TL7757ILP	TL7757IPK	
-55°C to 125°C	TL7757MD	TL7757MLP	—	

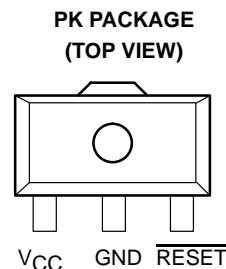
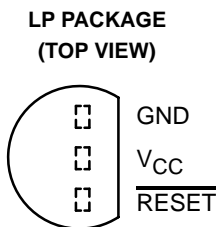
D and LP packages are available taped and reeled. Add R suffix to device type (e.g., TL7757CDR). Chips are tested at 25°C.

TL7757, TL7757Y SUPPLY VOLTAGE SUPERVISOR AND PRECISION VOLTAGE DETECTOR

SLVS041D – SEPTEMBER 1991 – REVISED AUGUST 1995



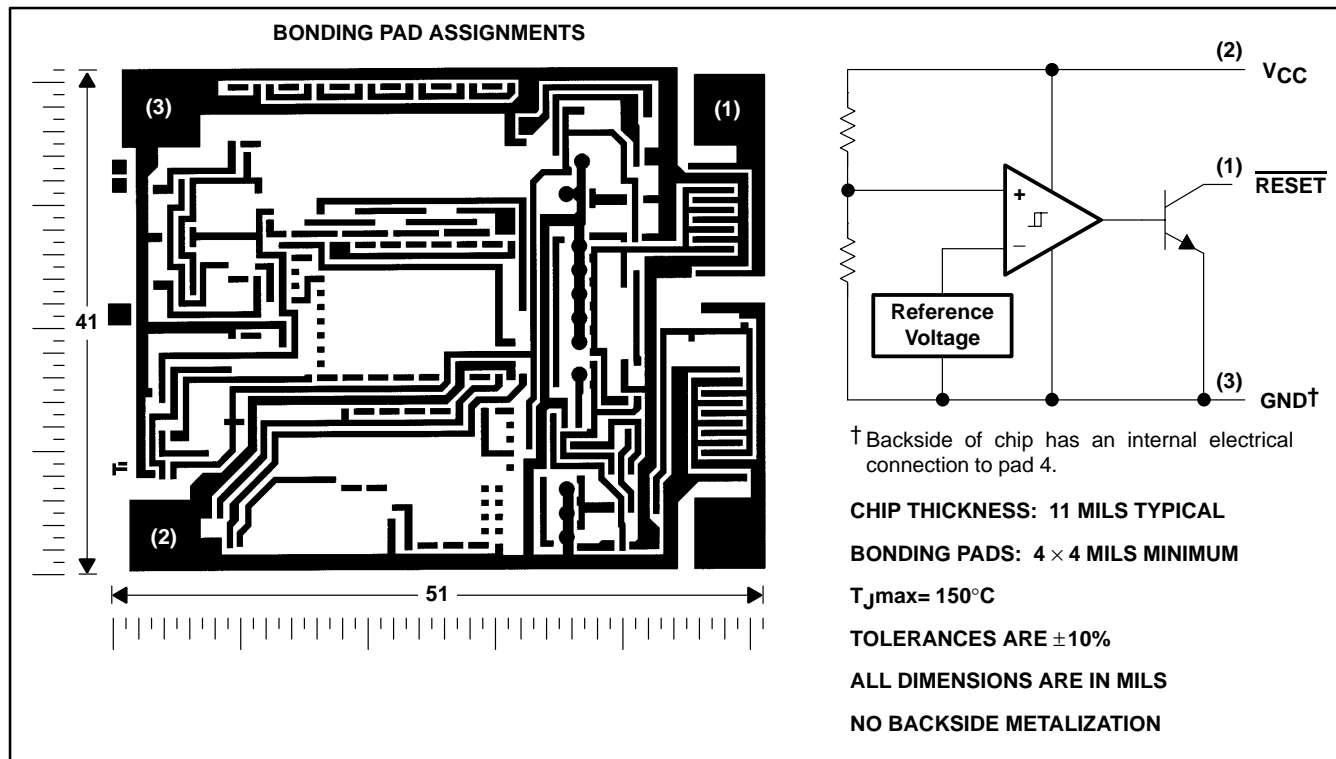
NC – No internal connection



GND is in electrical contact with the tab.

TL7757Y chip information

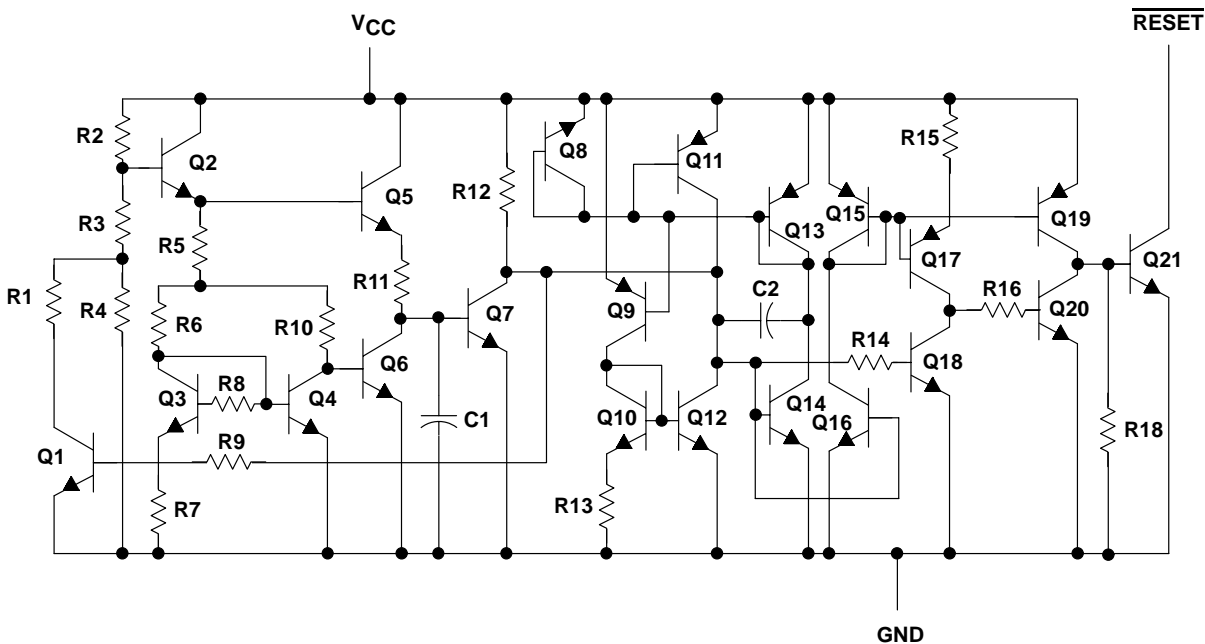
This chip, when properly assembled, displays characteristics similar to the TL7757C. Thermal compression or ultrasonic bonding may be used on the doped aluminum bonding pads. The chips may be mounted with conductive epoxy or a gold-silicon preform.



TL7757, TL7757Y SUPPLY VOLTAGE SUPERVISOR AND PRECISION VOLTAGE DETECTOR

SLVS041D – SEPTEMBER 1991 – REVISED AUGUST 1995

equivalent schematic



ACTUAL DEVICE COMPONENT COUNT	
Transistors	27
Resistors	20
Capacitors	2

TL7757, TL7757Y SUPPLY VOLTAGE SUPERVISOR AND PRECISION VOLTAGE DETECTOR

SLVS041D – SEPTEMBER 1991 – REVISED AUGUST 1995

absolute maximum ratings over operating free-air temperature (unless otherwise noted)†

Supply voltage range, V_{CC} (see Note 1)	–0.3 V to 20 V
Offstate output voltage range (see Note 1)	–0.3 V to 20 V
Output current, I_O	30 mA
Operating free-air temperature range, T_A : C-suffix	0°C to 70°C
I-suffix	–40°C to 85°C
M-suffix	–55°C to 125°C
Continuous total power dissipation	See Dissipation Rating Tables
Storage temperature range, T_{stg}	–65°C to 150°C
Lead temperature 1,6 mm (1/16 inch) from case for 10 seconds	260°C

† Stresses beyond those listed under “absolute maximum ratings” may cause permanent damage to the device. These are stress ratings only, and functional operation of the device at these or any other conditions beyond those indicated under “recommended operating conditions” is not implied. Exposure to absolute-maximum-rated conditions for extended periods may affect device reliability.

NOTE 1: All voltage values are with respect to network terminal ground.

DISSIPATION RATING TABLE 1 – FREE-AIR TEMPERATURE

PACKAGE	$T_A \leq 25^\circ\text{C}$ POWER RATING	DERATING FACTOR	DERATE ABOVE	$T_A = 70^\circ\text{C}$	$T_A = 85^\circ\text{C}$	$T_A = 125^\circ\text{C}$
D	725 mW	5.8 mW/°C	$T_A = 25^\circ\text{C}$	464 mW	377 mW	145 mW
LP	775 mW	6.2 mW/°C	$T_A = 25^\circ\text{C}$	496 mW	403 mW	155 mW
PK	500 mW	4.0 mW/°C	$T_A = 25^\circ\text{C}$	320 mW	260 mW	—

DISSIPATION RATING TABLE 2 – CASE TEMPERATURE

PACKAGE	$T_A \leq 25^\circ\text{C}$ POWER RATING	DERATING FACTOR	DERATE ABOVE	$T_A = 70^\circ\text{C}$	$T_A = 85^\circ\text{C}$
PK	3125 mW	25 mW/°C	$T_C = 110^\circ\text{C}$	2000 mW	1625 mW

recommended operating conditions

	C-SUFFIX		I-SUFFIX		M-SUFFIX		UNIT
	MIN	MAX	MIN	MAX	MIN	MAX	
Supply voltage, V_{CC}	1	7	1	7	1	7	V
High-level output voltage, V_{OH}		15		15		15	V
Low-level output current, I_{OL}		20		20		20	mA
Operating free-air temperature, T_A	0	70	–40	85	–55	125	°C



TL7757, TL7757Y
SUPPLY VOLTAGE SUPERVISOR
AND PRECISION VOLTAGE DETECTOR
 SLVS041D – SEPTEMBER 1991 – REVISED AUGUST 1995

electrical characteristics at specified free-air temperature

PARAMETER	TEST CONDITIONS	T _A †	TL7757C			UNIT
			MIN	TYP	MAX	
V _{IT-} Negative-going input threshold voltage at V _{CC}		25°C	4.43	4.55	4.67	V
		Full range	4.4 4.7			
V _{hys} ‡ Hysteresis at V _{CC}		25°C	40	50	60	mV
		Full range	30 70			
V _{OL} Low-level output voltage	I _{OL} = 20 mA, V _{CC} = 4.3 V	25°C	0.4		0.8	V
		Full range	0.8			
I _{OH} High-level output current	V _{CC} = 7 V, V _{OH} = 15 V, See Figure 1	25°C	1			μA
		Full range	1			
V _{res} § Power-up reset voltage	R _L = 2.2 kΩ, V _{CC} slew rate ≤ 5 V/μs	25°C	0.8		1	V
		Full range	1.2			
I _{CC} Supply current	V _{CC} = 4.3 V	25°C	1400	2000		μA
		Full range	2000			
		Full range	40			

† Full range is 0°C to 70°C.

‡ This is the difference between positive-going input threshold voltage, V_{IT+}, and negative-going input threshold voltage, V_{IT-}.

§ This is the lowest voltage at which RESET becomes active.

switching characteristics at T_A = 25°C (unless otherwise noted)

PARAMETER	TEST CONDITIONS	T _A †	TL7757C			UNIT
			MIN	TYP	MAX	
t _{PLH} Propagation delay time, low-to-high-level output	V _{CC} slew rate ≤ 5 V/μs, See Figures 2 and 3	25°C	3.4		5	μs
		Full range	5			
t _{PHL} Propagation delay time, high-to-low-level output	See Figures 2 and 3	25°C	2		5	μs
		Full range	5			
t _r Rise time	V _{CC} slew rate ≤ 5 V/μs, See Figures 2 and 3	25°C	0.4		1	μs
		Full range	1			
t _f Fall time	See Figures 2 and 3	25°C	0.05		1	μs
		Full range	1			
t _{w(min)} Minimum pulse duration at V _{CC} for output response		25°C	5			μs
		Full range	5			

† Full range is 0°C to 70°C.



TL7757, TL7757Y SUPPLY VOLTAGE SUPERVISOR AND PRECISION VOLTAGE DETECTOR

SLVS041D – SEPTEMBER 1991 – REVISED AUGUST 1995

electrical characteristics at specified free-air temperature

PARAMETER	TEST CONDITIONS	T _A †	TL7757I			UNIT
			MIN	TYP	MAX	
V _{IT-} Negative-going input threshold voltage at V _{CC}		25°C	4.43	4.55	4.67	V
		Full range	4.4		4.7	
V _{hys} ‡ Hysteresis at V _{CC}		25°C	40	50	60	mV
		Full range	30		70	
V _{OL} Low-level output voltage	I _{OL} = 20 mA, V _{CC} = 4.3 V	25°C		0.4	0.8	V
		Full range			0.8	
I _{OH} High-level output current	V _{CC} = 7 V, V _{OH} = 15 V, See Figure 1	25°C			1	μA
		Full range			1	
V _{res} § Power-up reset voltage	R _L = 2.2 kΩ, V _{CC} slew rate ≤ 5 V/μs	25°C		0.8	1	V
		Full range			1.2	
I _{CC} Supply current	V _{CC} = 4.3 V	25°C		1400	2000	μA
		Full range			2100	
		Full range			40	

† Full range is –40°C to 85°C.

‡ This is the difference between positive-going input threshold voltage, V_{IT+}, and negative-going input threshold voltage, V_{IT-}.

§ This is the lowest voltage at which RESET becomes active.

switching characteristics at T_A = 25°C (unless otherwise noted)

PARAMETER	TEST CONDITIONS	T _A †	TL7757I			UNIT
			MIN	TYP	MAX	
t _{PLH} Propagation delay time, low-to-high-level output	V _{CC} slew rate ≤ 5 V/μs, See Figures 2 and 3	25°C		3.4	5	μs
		Full range			5	
t _{PHL} Propagation delay time, high-to-low-level output	See Figures 2 and 3	25°C		2	5	μs
		Full range			5	
t _r Rise time	V _{CC} slew rate ≤ 5 V/μs, See Figures 2 and 3	25°C		0.4	1	μs
		Full range			1	
t _f Fall time	See Figures 2 and 3	25°C		0.05	1	μs
		Full range			1	
t _{w(min)} Minimum pulse duration at V _{CC} for output response		25°C			5	μs
		Full range			5	

† Full range is –40°C to 85°C.

TL7757, TL7757Y
SUPPLY VOLTAGE SUPERVISOR
AND PRECISION VOLTAGE DETECTOR
 SLVS041D – SEPTEMBER 1991 – REVISED AUGUST 1995

electrical characteristics at specified free-air temperature

PARAMETER	TEST CONDITIONS	T _A †	TL7757M			UNIT
			MIN	TYP	MAX	
V _{IT-} Negative-going input threshold voltage at V _{CC}		25°C	4.43	4.55	4.67	V
		Full range	4.35		4.7	
V _{hys} ‡ Hysteresis at V _{CC}		25°C	40	50	60	mV
		Full range	30		70	
V _{OL} Low-level output voltage	I _{OL} = 20 mA, V _{CC} = 4.3 V	25°C	0.4		0.8	V
		Full range	0.8			
I _{OH} High-level output current	V _{CC} = 7 V, V _{OH} = 15 V, See Figure 1	25°C	1			μA
		Full range	1			
V _{res} § Power-up reset voltage	R _L = 2.2 kΩ, V _{CC} slew rate ≤ 5 V/μs	25°C	0.8		1	V
		Full range	1.2			
I _{CC} Supply current	V _{CC} = 4.3 V	25°C	1400	2000		μA
		Full range	2500			
		Full range	40			

† Full range is –55°C to 125°C.

‡ This is the difference between positive-going input threshold voltage, V_{IT+}, and negative-going input threshold voltage, V_{IT-}.

§ This is the lowest voltage at which RESET becomes active.

switching characteristics at T_A = 25°C (unless otherwise noted)

PARAMETER	TEST CONDITIONS	T _A †	TL7757M			UNIT
			MIN	TYP	MAX	
t _{PLH} Propagation delay time, low-to-high-level output	V _{CC} slew rate ≤ 5 V/μs, See Figures 2 and 3	25°C	3.4		5*	μs
		Full range	5*			
t _{PHL} Propagation delay time, high-to-low-level output	See Figures 2 and 3	25°C	2		5*	μs
		Full range	5*			
t _r Rise time	V _{CC} slew rate ≤ 5 V/μs, See Figures 2 and 3	25°C	0.4		1*	μs
		Full range	1*			
t _f Fall time	See Figures 2 and 3	25°C	0.05		1*	μs
		Full range	1			
t _{w(min)} Minimum pulse duration at V _{CC} for output response		25°C	5*			μs
		Full range	5*			

*On products compliant to MIL-STD-883, Class B, this parameter is not production tested.

† Full range is –55°C to 125°C.



TL7757, TL7757Y
SUPPLY VOLTAGE SUPERVISOR
AND PRECISION VOLTAGE DETECTOR

SLVS041D – SEPTEMBER 1991 – REVISED AUGUST 1995

electrical characteristics at $T_A = 25^\circ\text{C}$

PARAMETER	TEST CONDITIONS	TL7757Y			UNIT
		MIN	TYP	MAX	
V_{IT-}	Negative-going input threshold voltage at V_{CC}		4.55		V
V_{hys}^\dagger	Hysteresis at V_{CC}		50		mV
V_{OL}	Low-level output voltage	$I_{OL} = 20\text{ mA}$, $V_{CC} = 4.3\text{ V}$	0.4		V
I_{OH}	High-level output current	$V_{CC} = 7\text{ V}$, $V_{OH} = 15\text{ V}$, See Figure 1			μA
V_{res}^\ddagger	Power-up reset voltage	$R_L = 2.2\text{ k}\Omega$, V_{CC} slew rate $\leq 5\text{ V}/\mu\text{s}$	0.8		V
I_{CC}	Supply current	$V_{CC} = 4.3\text{ V}$	1400		μA
		$V_{CC} = 5.5\text{ V}$			

† This is the difference between positive-going input threshold voltage, V_{IT+} , and negative-going input threshold voltage, V_{IT-} .

‡ This is the lowest voltage at which $\overline{\text{RESET}}$ becomes active.

switching characteristics at $T_A = 25^\circ\text{C}$

PARAMETER	TEST CONDITIONS	TL7757Y			UNIT
		MIN	TYP	MAX	
t_{PLH}	Propagation delay time, low-to-high-level output	V_{CC} slew rate $\leq 5\text{ V}/\mu\text{s}$, See Figures 2 and 3	3.4		μs
t_{PHL}	Propagation delay time, high-to-low-level output	See Figures 2 and 3	2		μs
t_r	Rise time	V_{CC} slew rate $\leq 5\text{ V}/\mu\text{s}$, See Figures 2 and 3	0.4		μs
t_f	Fall time	See Figures 2 and 3	0.05		μs



PARAMETER MEASUREMENT INFORMATION

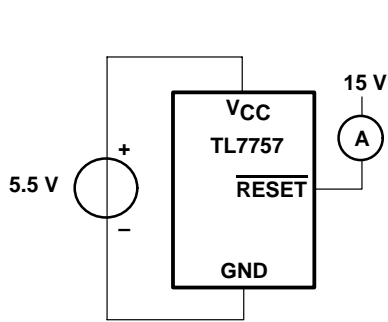
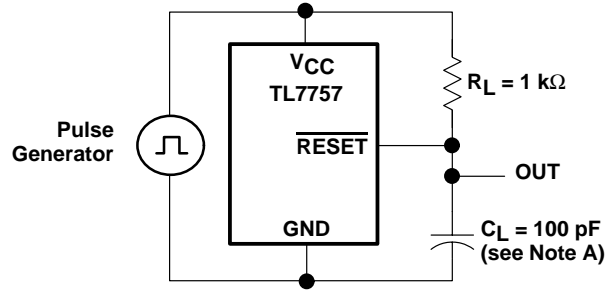
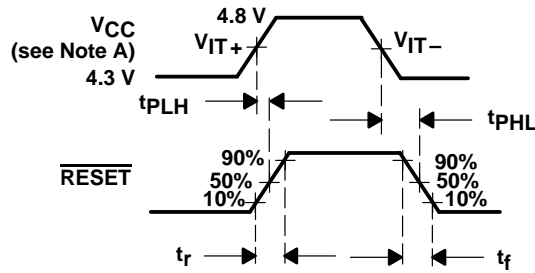


Figure 1. Test Circuit for Output Leakage Current



NOTE A: Includes jig and probe capacitance.

Figure 2. Test Circuit for $\overline{\text{RESET}}$ Output Switching Characteristics



NOTE A: V_{CC} slew rate $\leq 5 \mu\text{s}$

Figure 3. Switching Diagram

TYPICAL CHARACTERISTICS†

Table of Graphs

			FIGURE
V _{CC}	Supply voltage	vs $\overline{\text{RESET}}$ output voltage	4
I _{CC}	Supply current	vs Supply voltage	5
		vs Free-air temperature	6
V _{OL}	Low-level output voltage	vs Low-level output current	7
		vs Free-air temperature	8
I _{OL}	Output current	vs Supply voltage	9
V _{IT-}	Input threshold voltage (negative-going V _{CC})	vs Free-air temperature	10
V _{res}	Power-up reset voltage	vs Free-air temperature	11
V _{res}	Power-up reset voltage and supply voltage	vs Time	12
Propagation delay time			13

**SUPPLY VOLTAGE
vs
 $\overline{\text{RESET}}$ OUTPUT VOLTAGE**

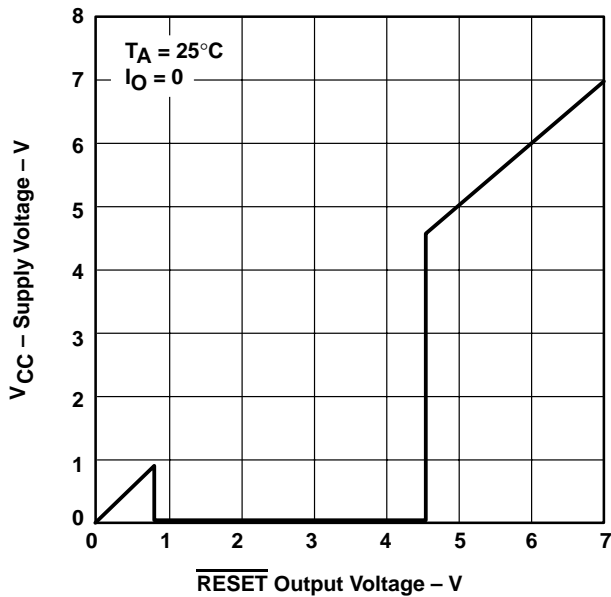


Figure 4

**SUPPLY CURRENT
vs
SUPPLY VOLTAGE**

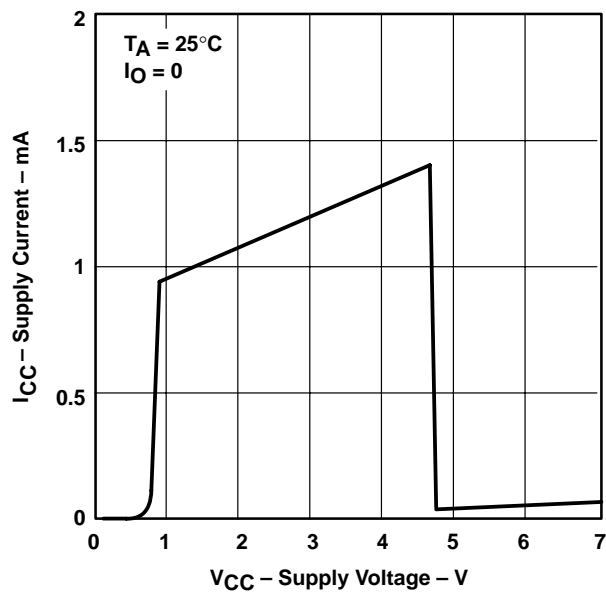


Figure 5

† Data at high and low temperatures are applicable only within the rated operating free-air temperature ranges of the various devices.

TYPICAL CHARACTERISTICS†

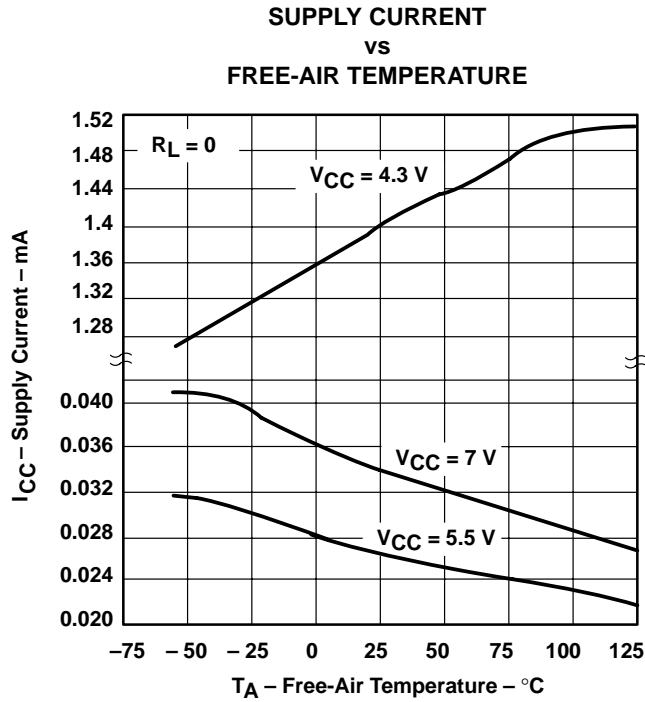


Figure 6

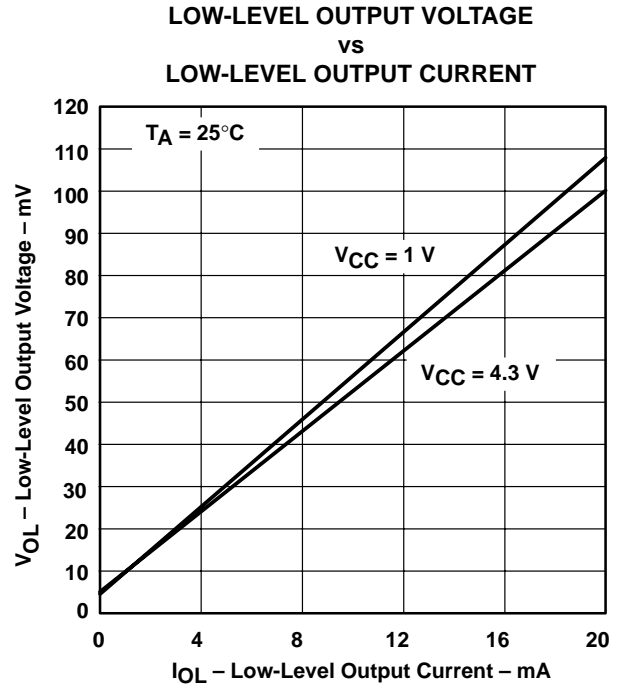


Figure 7

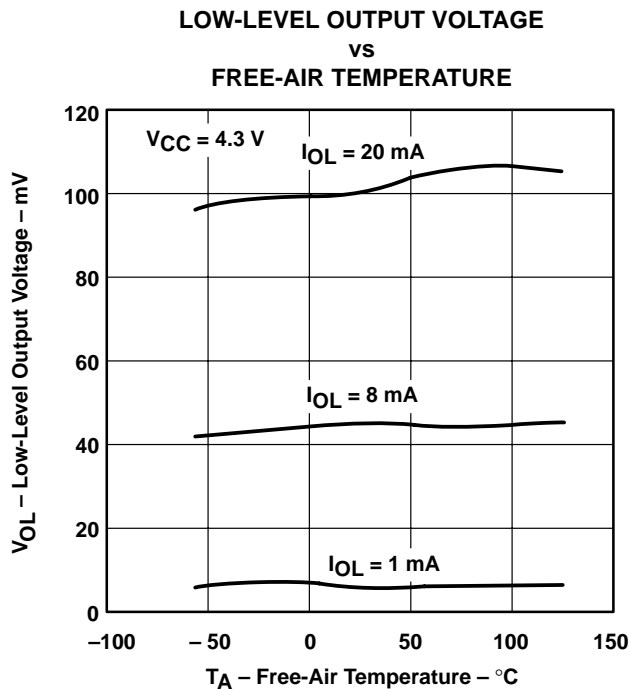


Figure 8

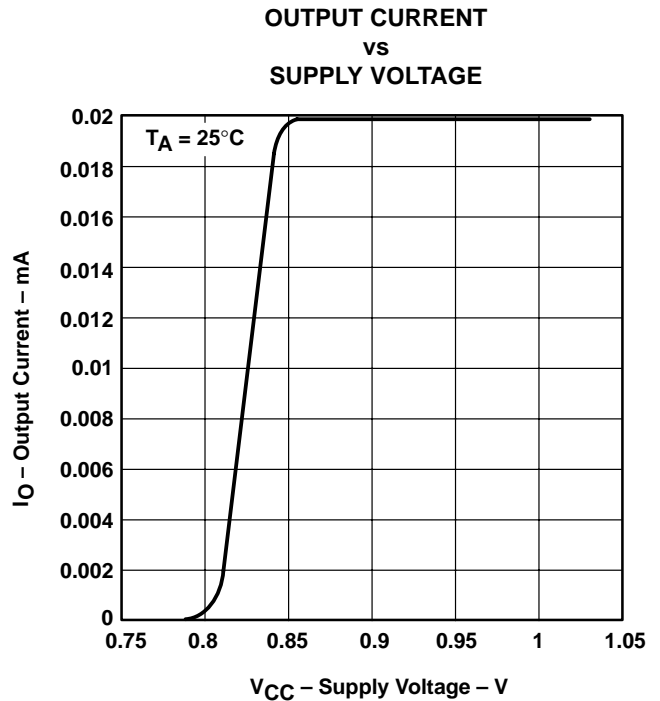


Figure 9

† Data at high and low temperatures are applicable only within the rated operating free-air temperature ranges of the various devices.

TYPICAL CHARACTERISTICS†

**INPUT THRESHOLD VOLTAGE
 (NEGATIVE GOING V_{CC})
 vs
 FREE-AIR TEMPERATURE**

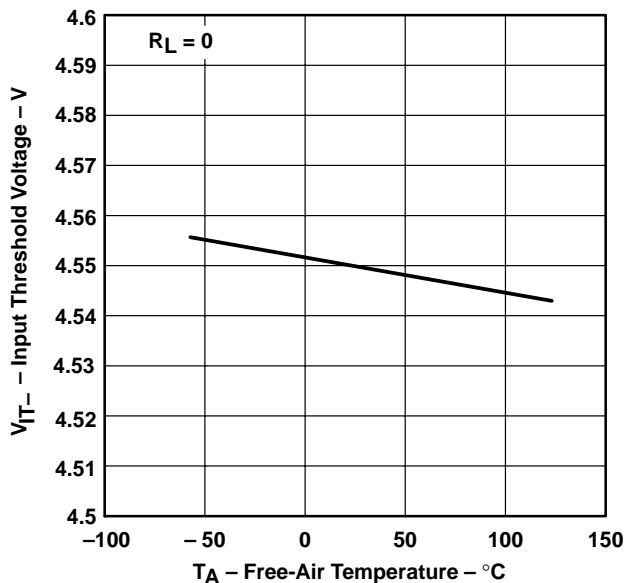


Figure 10

**POWER-UP RESET VOLTAGE
 vs
 FREE-AIR TEMPERATURE**

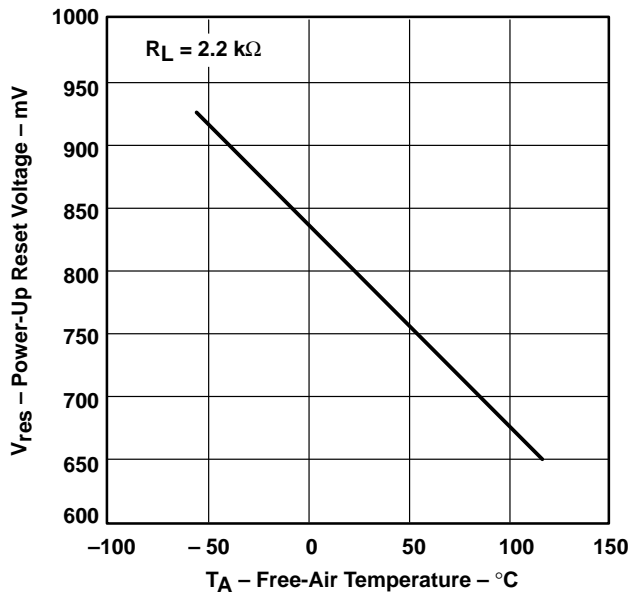


Figure 11

**POWER-UP RESET VOLTAGE
 AND SUPPLY VOLTAGE
 vs
 TIME**

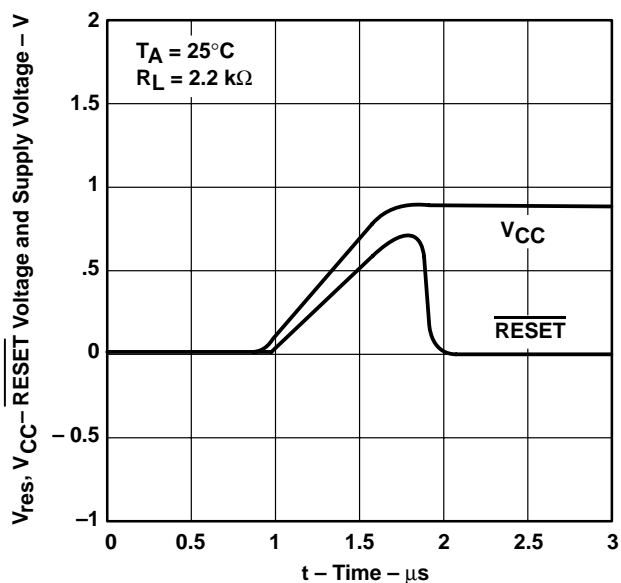


Figure 12

PROPAGATION DELAY TIME

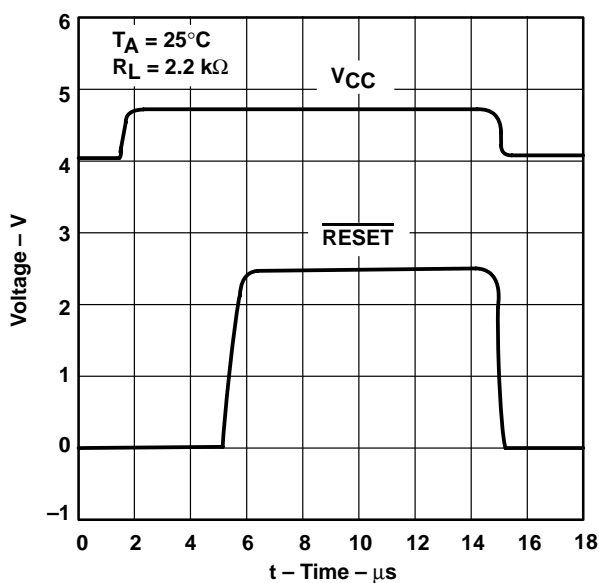


Figure 13

† Data at high and low temperatures are applicable only within the rated operating free-air temperature ranges of the various devices.

IMPORTANT NOTICE

Texas Instruments (TI) reserves the right to make changes to its products or to discontinue any semiconductor product or service without notice, and advises its customers to obtain the latest version of relevant information to verify, before placing orders, that the information being relied on is current.

TI warrants performance of its semiconductor products and related software to the specifications applicable at the time of sale in accordance with TI's standard warranty. Testing and other quality control techniques are utilized to the extent TI deems necessary to support this warranty. Specific testing of all parameters of each device is not necessarily performed, except those mandated by government requirements.

Certain applications using semiconductor products may involve potential risks of death, personal injury, or severe property or environmental damage ("Critical Applications").

TI SEMICONDUCTOR PRODUCTS ARE NOT DESIGNED, INTENDED, AUTHORIZED, OR WARRANTED TO BE SUITABLE FOR USE IN LIFE-SUPPORT APPLICATIONS, DEVICES OR SYSTEMS OR OTHER CRITICAL APPLICATIONS.

Inclusion of TI products in such applications is understood to be fully at the risk of the customer. Use of TI products in such applications requires the written approval of an appropriate TI officer. Questions concerning potential risk applications should be directed to TI through a local SC sales office.

In order to minimize risks associated with the customer's applications, adequate design and operating safeguards should be provided by the customer to minimize inherent or procedural hazards.

TI assumes no liability for applications assistance, customer product design, software performance, or infringement of patents or services described herein. Nor does TI warrant or represent that any license, either express or implied, is granted under any patent right, copyright, mask work right, or other intellectual property right of TI covering or relating to any combination, machine, or process in which such semiconductor products or services might be or are used.