

1. LED quantity: 12
2. Input voltage: DC5V
3. Diameter: outer: ca. 36.8mm, inner: ca. 23.3mm
4. Thickness: ca. 3.25mm
5. Weight: ca. 3.3g
6. Color effects/modes: Each one can show customized color (red/green/blue/white/rgb/...)
7. PCB color: black/white
8. RGBW LED diodes can be replaced by RGB/WWA/RGBY(yellow) color LED

Dimensions

Diameter: outer: ca. 36.8mm, inner: ca. 23.3mm



Abbildung ähnlich

All dimensions are in millimeter (inch);
Tolerance is $\pm 0.25\text{mm}$ (0.01") unless other specified;
Specifications are subject to change without notice.

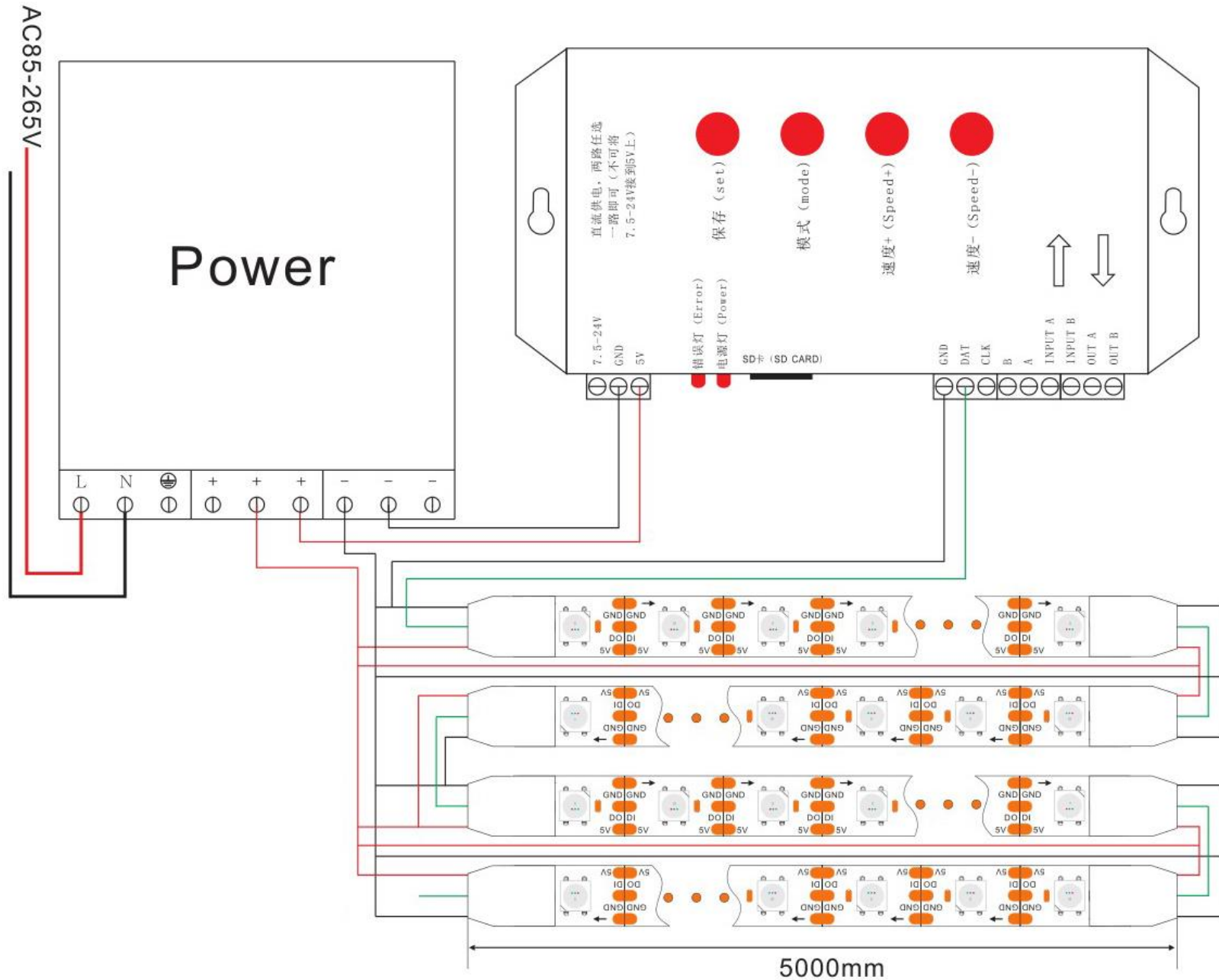
Details

Input Voltage	DC 5V
Luminous Flux (lm)	7-8lm/led
Working Temperature	-30 – 60

Notes:

Tolerance for luminous flux is $\pm 15\%$
Tolerance of measurements of forward voltage $\pm 0.2\text{V}$.
Electrostatic sensitive device when handling, please use anti-electrostatic gloves.
Please do not apply stress to the resin at high temperature.

Ansteuerung mit einer Stromversorgung 5V



Ansteuerung mit zwei Stromversorgungen.

