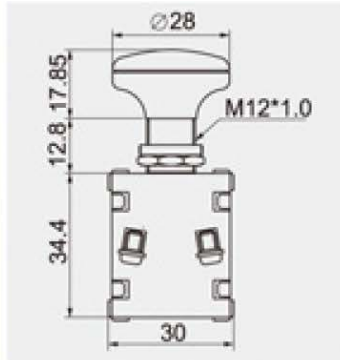


## Push pull switch, red knob



BUTTON		TERMINAL	
B	ILLUMINATED	0 1	.250" SQ
L	LED	0 7	SC M4

∅ 12.2

30A 12V DC

6 mm max



Unit: mm