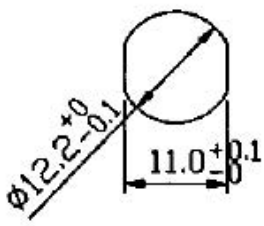

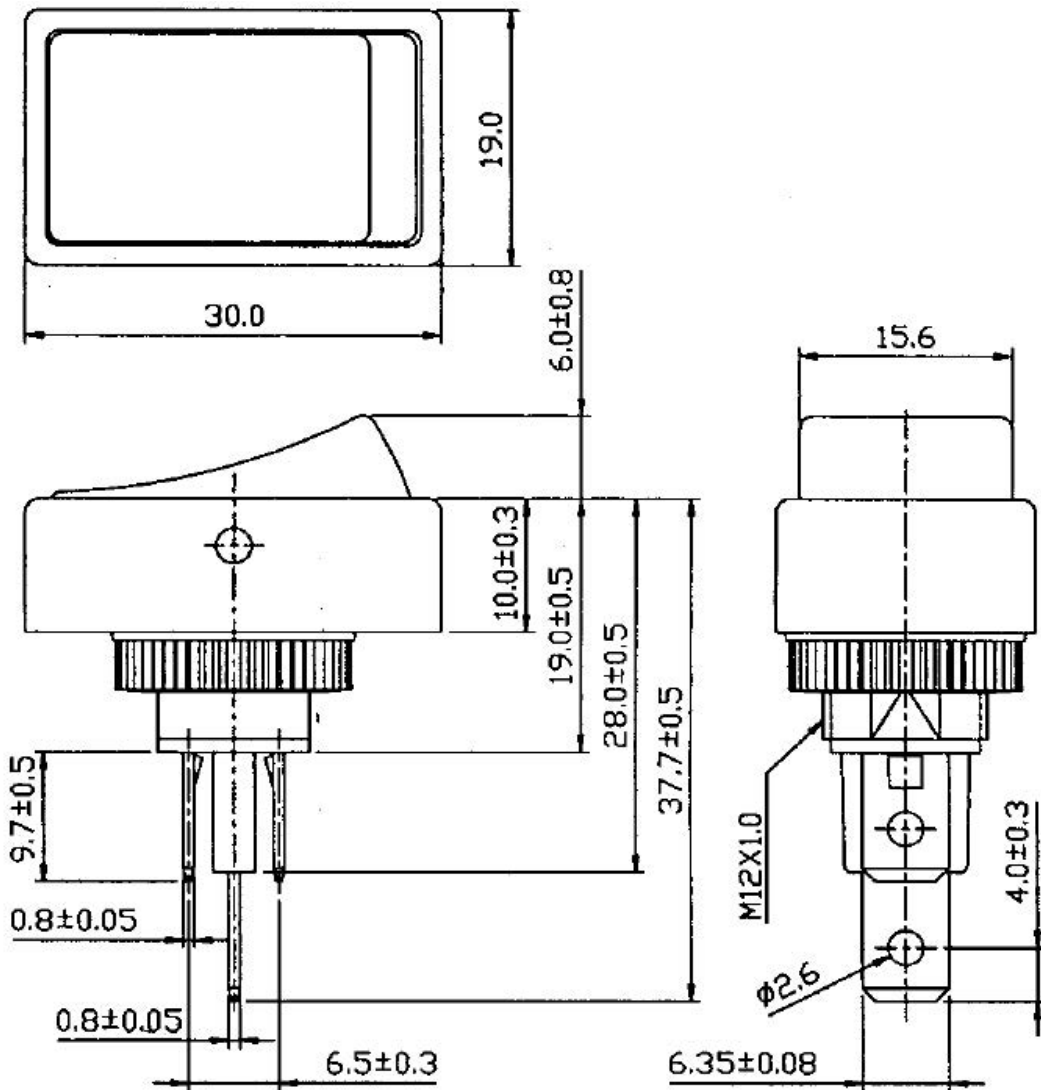


Rocker switch, black body & button, red window & bulb 12VDC, rocker printed w/ lamp, 20A

|                            |                       |  |   |
|----------------------------|-----------------------|--|---|
| 規格<br>Rating               | 12V 20A               | 裝配孔<br>Mount Hole  | 線路<br>Circuit Structure   |
| 接觸電阻<br>Contact R          | 50m ohm Max.          |  |  |
| 絕緣電阻<br>Insulation R       | DC 500V 100M ohm Min. |  |   |
| 耐電壓<br>Dielectric Strength | AC 1500V 1 minute     |  |   |
| 動作特性<br>Circuit            | 3P SPST ON-OFF        |  |   |



Unit: mm

This is a publication by Conrad Electronic SE, Klaus-Conrad-Str. 1, D-92240 Hirschau (www.conrad.com).

All rights including translation reserved. Reproduction by any method, e.g. photocopy, microfilming, or the capture in electronic data processing systems require the prior written approval by the editor. Reprinting, also in part, is prohibited. This publication represents the technical status at the time of printing.

© Copyright 2017 by Conrad Electronic SE.