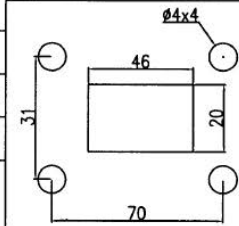
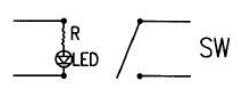


Control Panel Switch, Single

Rating	20A 12VDC, 10A 24VDC	Mounting Hole 	Circuit Diagram 
Contact Resistance	50m ohm Max		
Insulation Resistance	DC 500V 100M ohm Min		
Dielectric Strength	AC 1500V 1minute		

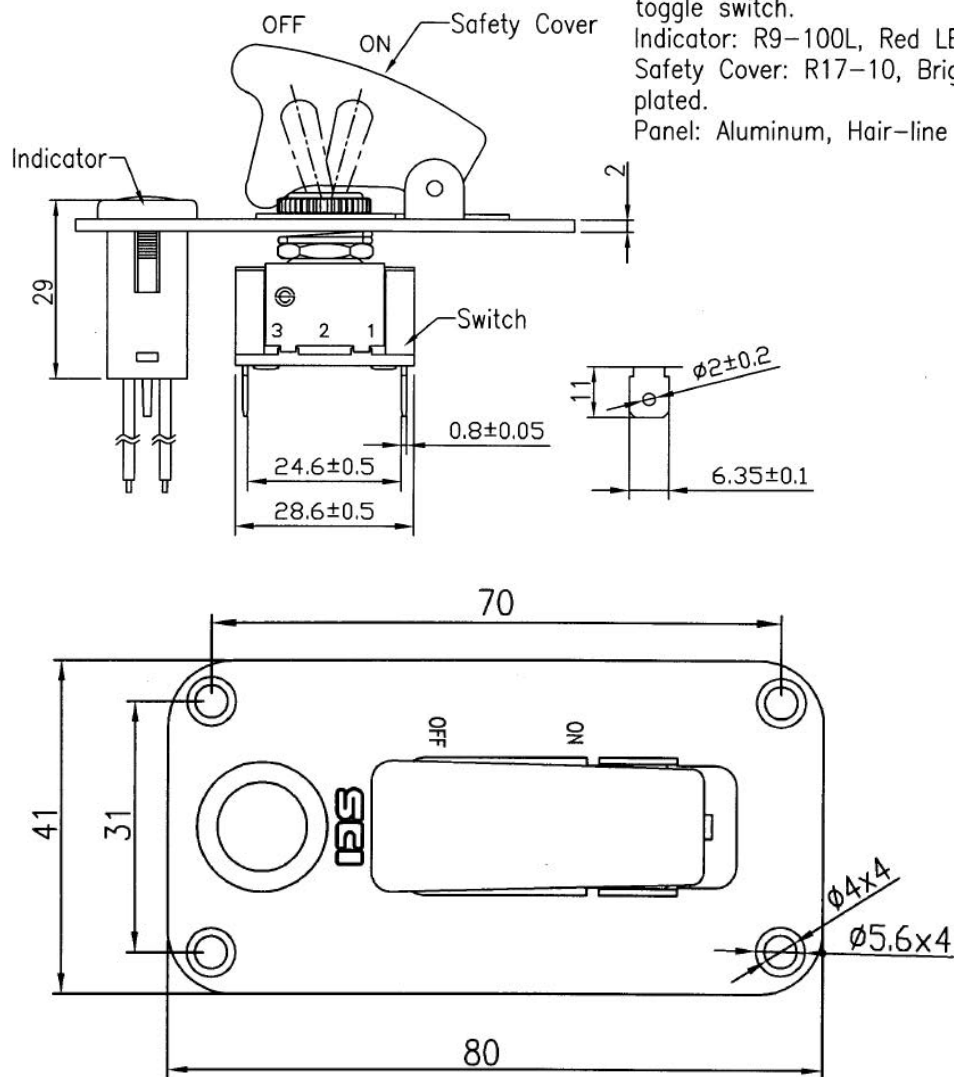
Descriptions:

Switch: R13-5, 2P SPST ON-OFF toggle switch.

Indicator: R9-100L, Red LED.

Safety Cover: R17-10, Bright chrome plated.

Panel: Aluminum, Hair-line finished.



Unit: mm