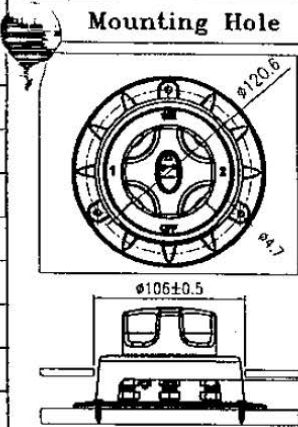
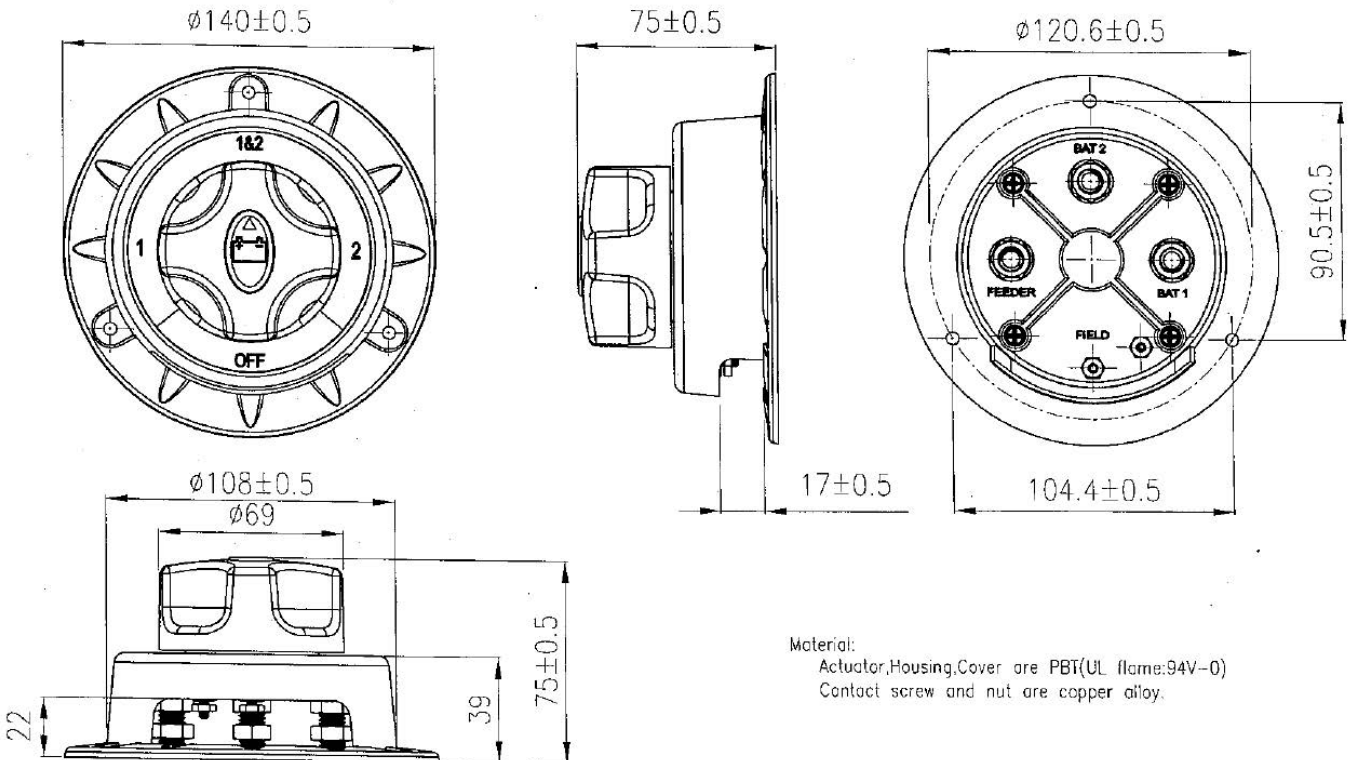


Battery switch for marine

Continuous Rating	200 Amps 6~32 VDC		Circuit Diagram	Field Diagram	
Intermittent Rating	300 Amps		OFF		
Cranking Rating	1000 Amps		1		
Contact Resistance	50m ohm Max.		2		
Insulation Resistance	DC 1000V 100M ohm Min.		1&2		
Dielectric Strength	AC 2000V 1 minute				
Operation Temperature	-20°C~80°C				
Switch Function	OFF/1/2/1&2				
Actuation Force	5±0.5 Kgf~cm				



Material:
 Actuator, Housing, Cover are PBT(UL flame:94V-0)
 Contact screw and nut are copper alloy.

Unit: mm