
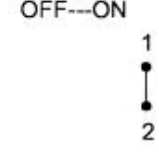
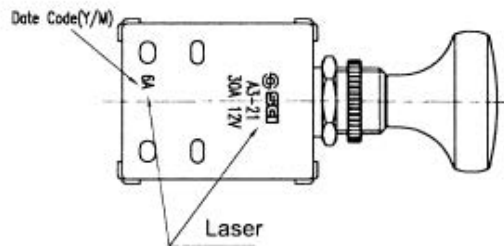
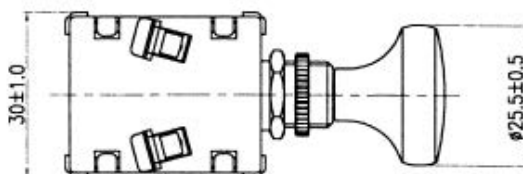
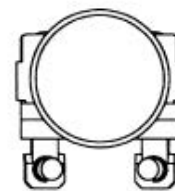
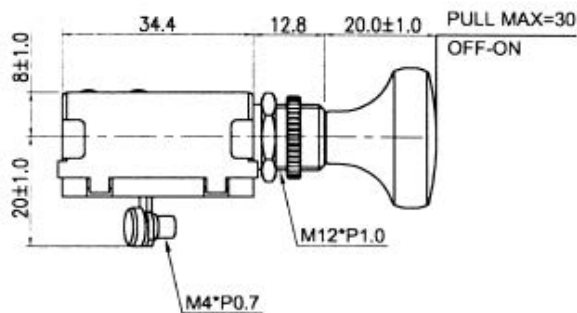


Starter Button Switch, Heavy duty car push switch

Rating	30A 12V DC		
Contact Resistance	50m ohm Max.		
Insulation Resistance	DC 500V 100M ohm Min.		
Dielectric Strength	AC 1500V 1 minute		
Operation Temperature			
Switch Function	PUSH/PULL OFF-ON		



Material:
 Base: Black, PF
 Cover: Zinc Plated, SPCC
 Actuator: Black, ABS



Tolerance ± 0.3 Unless Otherwise Specified

Unit mm

This is a publication by Conrad Electronic SE, Klaus-Conrad-Str. 1, D-92240 Hirschau (www.conrad.com).

All rights including translation reserved. Reproduction by any method, e.g. photocopy, microfilming, or the capture in electronic data processing systems require the prior written approval by the editor. Reprinting, also in part, is prohibited. This publication represents the technical status at the time of printing.

© Copyright 2017 by Conrad Electronic SE.