



B/N 183911

LED 3 mm Round WU-1-61 BC 513177.02

Emitting Colour	Material	Case Colour	Viewing angle
blue	GaN	waterclear	20°

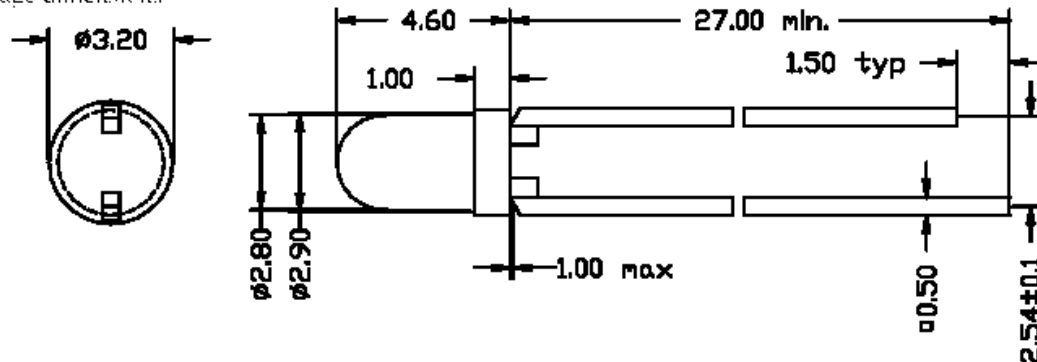
Optical and Electrical Characteristics at Ta = 25 °C

Parameter	Luminous Intensity I _v (mcd)					
	min	typ	max			
I _f = 10 mA						
I _f = 20 mA		90				
	min	typ	max	unit	condition	
Peak Wavelength		430		nm	I _f = 20	mA
Spectral Halfline				nm	I _f =	mA
Forward Voltage		4.5	5.5	V	I _f = 20	mA

Absolute Maximum Ratings at Ta = 25°C

Parameter		Unit	
Peak Forward Current <small>T < 10µs</small>	200	mA	
Power Dissipation	105	mW	
Reverse Voltage	5	V	
Continuous Forward Current	30	mA	
Operating Temperature	-40 +85	°C	
Storage Temperature	-40 - +85	°C	
Lead Soldering Temp.	≤ 260°C	°C 3 s	3 mm from solder joint to case

Package dimensions



Tolerance : 0.25mm

Technical data are subject to alteration without notice within the limits of the standards.