

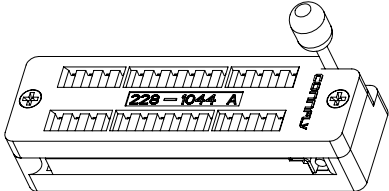
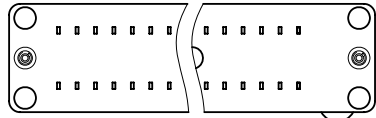
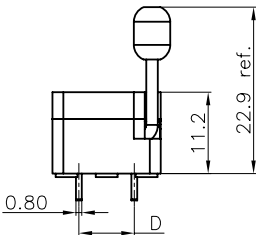
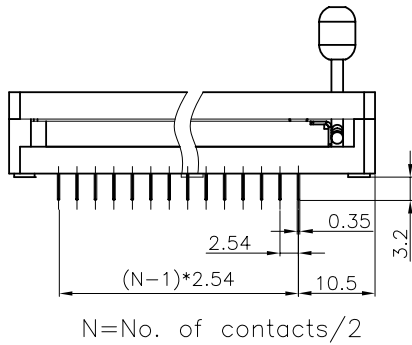
REV.	DESCRIPTION	DRAWN	CHECKED	APPROVED
A	NEW RELEASE	DMJ 06/07/07'		

Positions	A	B	C	D	E
14	32.6	28.2	15.24	7.62	14.9
16	35.1	30.7	17.78	7.62	14.9
20	40.2	35.8	22.86	7.62	14.9
24	45.3	40.9	27.94	7.62	14.9
28	50.4	46.0	33.02	7.62	14.9
32	55.5	51.1	38.10	15.24	22.9
40	65.6	61.2	48.26	15.24	22.9
48	75.8	71.4	58.42	15.24	22.9

1. FEATURES
- 1.1. Compact mechanical construction to ensure long term life.
 - 1.2. Zero insertion and extraction pressure.
 - 1.3. standard 0.100(2.54mm) IC pitch,easy to mount in PC board.
 - 1.4. All plastics are UL 94v-0 grade fire retardant.
 - 1.5. Gold plated contact to ensure low contact resistance and long operation life.

2. SPECIFICATION
- 2.1. ELECTRICAL:
- 2.1.1. Rating:50VDC,100mA.
 - 2.1.2. Contact Resistance: 50mΩ Max.
 - 2.1.3. Insulation Resistance:1000MΩ Min.
 - 2.1.4. Dielectric withstanding volatage:500VDC min. for 60 seconds.Capacitance between adjacent contacts.
- 2.2. MECHANICAL AND ENVIRONMENTAL
- 2.2.1. Temperature Rating:
 - 2.2.2. Operating:-25°C to +70°C
 - 2.2.3. Storage:-40°C to +85°C
 - 2.2.4. Durability:5,000 cycles(with load)
 - 2.2.5. Humidity:95%RH,40°C for 48 Hrs.
 - 2.2.6. Solderability:After flux 230°C for 5±0.5 Seconds,95% coverage
 - 2.2.7. Soldering Heat:260±5°C for 5±1 Seconds.

3. PRODUCT NUMBER CODE:
- DS1044 - X X X
- Housing color
 - L: Blue
 - B: Black
 - G: Green
 - Contact plating
 - F: Full 3u" gold
 - O: Full gold flash
 - 6: Full Tin
 - No. of contacts
 - 14 16 18 20 24
 - 28 32 40 48



GENERAL TOLERANCE		ANGLE TOLERANCE		PROJECTION	TITLE
X.	±0.60	X.	±5'	UNITS	mm
.X	±0.38	.X	±3'	SHEET SIZE	A4
.XX	±0.25	.XX	±2'	SERIES	DS1044 SERIES
DRAWING TYPE		CUSTOMER		ZIF SOCKET	
SCALE		1:1	SHEET	1 OF 1	
DRAWING NO.		C-DS1044-XXX			