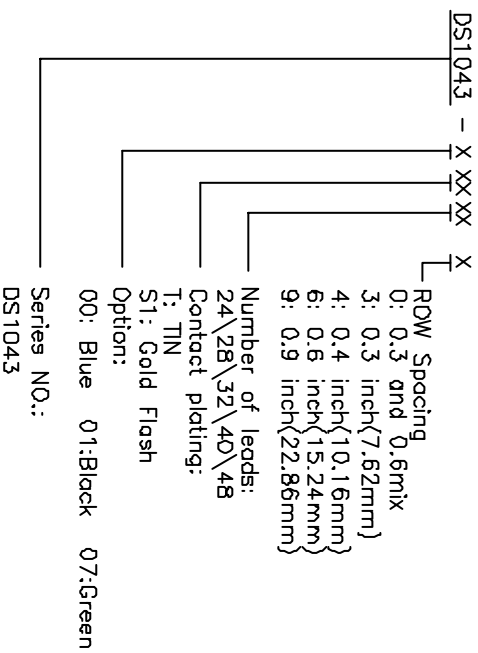
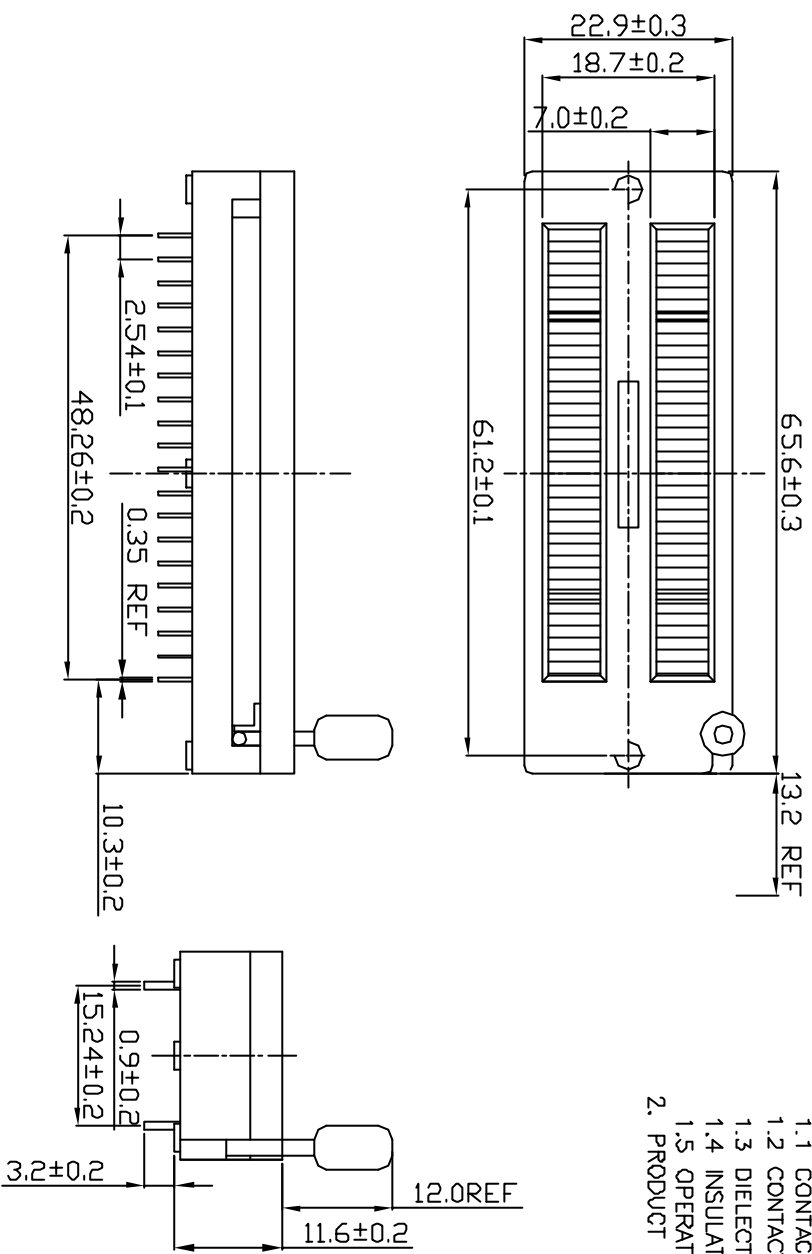


REV.	DESCRIPTION	DRAWN	CHECKED	APPROVED
A	NEW RELEASE	LJH 05/24/05*		

1. PRODUCTS PERFORMANCE:
- 1.0 VOLTAGE RATING: 250V AC.
  - 1.1 CONTACT CURRENT RATING: 1.5A MAX. PER PIN.
  - 1.2 CONTACT RESISTANCE: 20 MILLIOHMS MAX.
  - 1.3 DIELECTRIC WITHSTANDING VOLTAGE: 500V AC(rms) FOR 1 MINUTE.
  - 1.4 INSULATION RESISTANCE: 1000 MEGOHMS MINI.
  - 1.5 OPERATING TEMPERATURE: -20°C~+70°C.
2. PRODUCT NUMBER CODE:



GENERAL TOLERANCE		ANGLE TOLERANCE	
X.	$\pm 0.60$	X.	$\pm 5^\circ$
X	$\pm 0.38$	X	$\pm 3^\circ$
XX	$\pm 0.25$	XX	$\pm 2^\circ$

DRAWING TYPE	CUSTOMER	SHEET	1 OF 1
SCALE	1:1		
DRAWING NO.	C-DS1043-xxxxxx		

PROJECTION	TITLE
UNITS mm	ZIF SOCKET
SHEET SIZE A4	SERIES ZIF SERIES

ZHEN QIN  
NINGBO ZHENQIN ELECTRONIC CO., LTD

**宁波正青电子有限公司**