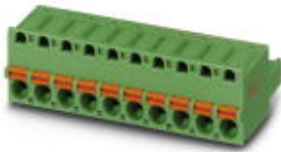


# Printed-circuit board connector - FKC 2,5 HC/ 8-ST-5,08 - 1942439

Please be informed that the data shown in this PDF Document is generated from our Online Catalog. Please find the complete data in the user's documentation. Our General Terms of Use for Downloads are valid (<http://download.phoenixcontact.com>)



Plug component, Nominal current: 16 A, Rated voltage (III/2): 320 V, Number of positions: 8, Pitch: 5.08 mm, Connection method: Spring-cage conn., Color: green, Contact surface: Tin, COMBICON connectors may only be activated under no load conditions. If for operating reasons small loads must be switched, experimental values are available upon request.

The figure shows a 10-position version of the product

## Product Features

- Two integrated test connections
- Coding profiles (CP) as protection against mismatching
- HC plugs may only be used with HC base strips
- Inverted versions with pin contact (FKIC 2,5 HC); e.g., for cable/cable connections or motor outputs
- Push-in spring-cage plug as a "High Current" (HC) version for 16 A

## Key commercial data

<b>package_quantity</b>	50
<b>GTIN</b>	4017918880255

## Technical data

### Dimensions

<b>Pitch</b>	5.08 mm
<b>Dimension a</b>	35.56 mm

### General

<b>Range of articles</b>	FKC 2,5 HC/...ST
<b>Insulating material group</b>	I
<b>Rated surge voltage (III/3)</b>	4 kV
<b>Rated surge voltage (III/2)</b>	4 kV
<b>Rated surge voltage (II/2)</b>	4 kV
<b>Rated voltage (III/3)</b>	250 V
<b>Rated voltage (III/2)</b>	320 V
<b>Rated voltage (II/2)</b>	630 V
<b>Connection in acc. with standard</b>	EN-VDE
<b>Nominal current I<sub>N</sub></b>	16 A
<b>Nominal cross section</b>	2.5 mm <sup>2</sup>
<b>Maximum load current</b>	16 A (with 2.5 mm <sup>2</sup> conductor cross section)
<b>Insulating material</b>	PA
<b>Inflammability class according to UL 94</b>	V0

# Printed-circuit board connector - FKC 2,5 HC/ 8-ST-5,08 - 1942439

## Technical data

### General

Internal cylindrical gage	A2
Stripping length	10 mm
Number of positions	8

### Connection data

Conductor cross section solid min.	0.2 mm <sup>2</sup>
Conductor cross section solid max.	2.5 mm <sup>2</sup>
Conductor cross section stranded min.	0.2 mm <sup>2</sup>
Conductor cross section stranded max.	2.5 mm <sup>2</sup>
Conductor cross section stranded, with ferrule without plastic sleeve min.	0.25 mm <sup>2</sup>
Conductor cross section stranded, with ferrule without plastic sleeve max.	2.5 mm <sup>2</sup>
Conductor cross section stranded, with ferrule with plastic sleeve min.	0.25 mm <sup>2</sup>
Conductor cross section stranded, with ferrule with plastic sleeve max.	1.5 mm <sup>2</sup>
Conductor cross section AWG/kcmil min.	24
Conductor cross section AWG/kcmil max	12
2 conductors with same cross section, stranded, TWIN ferrules with plastic sleeve, min.	0.5 mm <sup>2</sup>
2 conductors with same cross section, stranded, TWIN ferrules with plastic sleeve, max.	1.5 mm <sup>2</sup>
Minimum AWG according to UL/CUL	26
Maximum AWG according to UL/CUL	12

## classifications

### eCl@ss

eCl@ss 4.0	272607xx
eCl@ss 4.1	27260701
eCl@ss 5.0	27260701
eCl@ss 5.1	27260701
eCl@ss 6.0	27260704
eCl@ss 7.0	27440402
eCl@ss 8.0	27440402

### ETIM

ETIM 3.0	EC001121
ETIM 4.0	EC002638
ETIM 5.0	EC002638

### UNSPSC

UNSPSC 6.01	30211810
UNSPSC 7.0901	39121409

# Printed-circuit board connector - FKC 2,5 HC/ 8-ST-5,08 - 1942439

## classifications

### UNSPSC

<b>UNSPSC 11</b>	39121409
<b>UNSPSC 12.01</b>	39121409
<b>UNSPSC 13.2</b>	39121409

## approvals

UL Recognized / VDE Gutachten mit Fertigungsüberwachung / cUL Recognized / GOST / IECCEB CB Scheme / GOST / CCA / cULus Recognized /

### Approval details

**UL Recognized**

Usegroups	B	D
Nominal voltage UN	300 V	300 V
Nominal current IN	16 A	10 A
mm <sup>2</sup> /AWG/kcmil	26-12	26-12

**VDE Gutachten mit Fertigungsüberwachung**

Nominal voltage UN	250 V
Nominal current IN	16 A
mm <sup>2</sup> /AWG/kcmil	0.2-2.5

**cUL Recognized**

Usegroups	B	D
Nominal voltage UN	300 V	300 V
Nominal current IN	16 A	10 A
mm <sup>2</sup> /AWG/kcmil	26-12	26-12

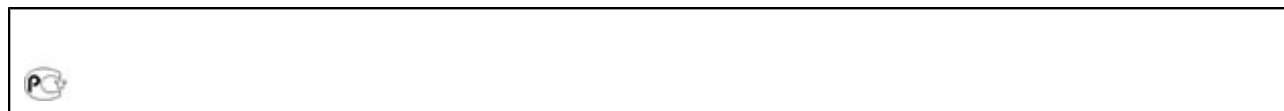
**GOST**

**IECCEB CB Scheme**

# Printed-circuit board connector - FKC 2,5 HC/ 8-ST-5,08 - 1942439

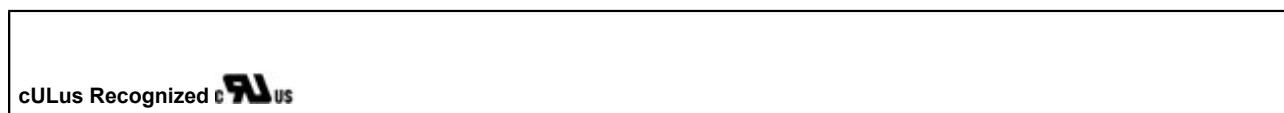
## approvals

Nominal voltage UN	250 V
Nominal current IN	16 A
mm <sup>2</sup> /AWG/kcmil	0.2-2.5



**CCA**

Nominal voltage UN	250 V
Nominal current IN	16 A
mm <sup>2</sup> /AWG/kcmil	0.2-2.5



## accessories

### Coding element

CP-MSTB - 1734634



---

### Test plug terminal block

RPS - 0201647



## Printed-circuit board connector - FKC 2,5 HC/ 8-ST-5,08 - 1942439

accessories

MPS-MT - 0201744



---

### Screwdriver tools

SZS 0,6X3,5 - 1205053



---

### Terminal marking

SK 5,08/3,8:UNBEDRUCKT - 0805412



---

### Labeled terminal marker

SK 5,08/3,8: 0-9 - 0804303



SK 5,08/3,8:FORTL.ZAHLEN - 0804293



# Printed-circuit board connector - FKC 2,5 HC/ 8-ST-5,08 - 1942439

accessories

## Insulating sleeve

MPS-IH WH - 0201663



MPS-IH RD - 0201676



MPS-IH BU - 0201689



MPS-IH YE - 0201692



MPS-IH GN - 0201702



## Printed-circuit board connector - FKC 2,5 HC/ 8-ST-5,08 - 1942439

### accessories

MPS-IH GY - 0201728



MPS-IH BK - 0201731



### accessories

STZ 4-FKC-5,08 - 1876877



STZ 8-FKC-5,08 - 1876880

SK 5,08/3,8:SO - 0805085



# Printed-circuit board connector - FKC 2,5 HC/ 8-ST-5,08 - 1942439

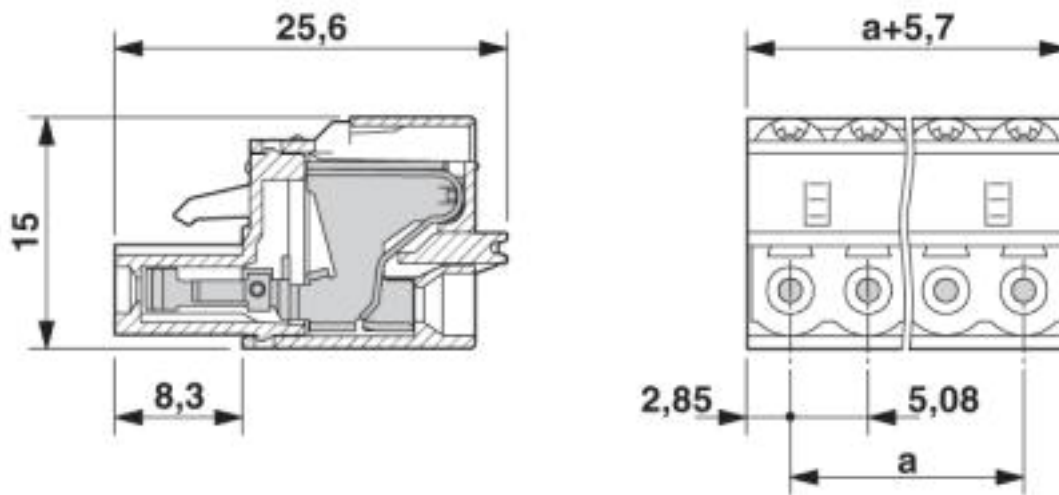
accessories

MPS-IH VT - 0201715



## Drawings

Dimensioned drawing



© Phoenix Contact 2013 - all rights reserved  
<http://www.phoenixcontact.com>