

# Inline terminal - IB IL 24/230 DOR1/W-PC-PAC - 2862178

Please be informed that the data shown in this PDF Document is generated from our Online Catalog. Please find the complete data in the user's documentation. Our General Terms of Use for Downloads are valid (<http://download.phoenixcontact.com>)



Inline digital output terminal block, complete with accessories (plug and labeling field), 1 relay PDT contact, 5 - 253 V AC, 3 A

## Product Features

- Safe isolation
- Floating connection for one actuator
- Diagnostic and status indicators



## Key commercial data

package_quantity	1
GTIN	4017918894665

## Technical data

Note:

Utilization restriction	EMC: class A product, see manufacturer's declaration in the download area
-------------------------	---

### Dimensions

Width	12.2 mm
Height	119.8 mm
Depth	71.5 mm
Note on dimensions	Housing dimensions

### Ambient conditions

Ambient temperature (operation)	-25 °C ... 55 °C
Ambient temperature (storage/transport)	-25 °C ... 85 °C
Permissible humidity (operation)	75 % ... 85 % (in the range of -25°C ... +55°C, appropriate measures against increased humidity (> 85%) must be taken.)
Permissible humidity (storage/transport)	75 % ... 85 % (slight temporary condensation may sometimes appear on the housing)
Air pressure (operation)	70 kPa ... 106 kPa (up to 3000 m above sea level)
Air pressure (storage/transport)	70 kPa ... 106 kPa (up to 3000 m above sea level)
Degree of protection	IP20

### General

Weight	46 g
--------	------

# Inline terminal - IB IL 24/230 DOR1/W-PC-PAC - 2862178

## Technical data

### General

<b>Note on weight specifications</b>	Without plug
<b>Mounting type</b>	DIN rail
<b>Protection class</b>	I, IEC 61140, EN 61140, VDE 0140-1
<b>Test section</b>	Relay contact / Bus logics 4 kV 50 Hz 1 min
<b>Test section</b>	Contact to contact 1 kV 50 Hz 1 min
<b>Test section</b>	Contact / PE 1 kV 50 Hz 1 min

### Interfaces

<b>Name</b>	Inline local bus
<b>Connection method</b>	Inline data jumper
<b>Transmission speed</b>	500 kBit/s

### Power supply for module electronics

<b>Supply voltage</b>	24 V DC (nominal value)
<b>Supply voltage range</b>	19.2 V DC ... 30 V DC (including all tolerances, including ripple)
<b>Communications power <math>U_L</math></b>	7.5 V (via voltage jumper)
<b>Current consumption</b>	max. 60 mA (from the local bus)
<b>Power consumption</b>	max. 0.45 W (from the local bus)

### Inline potentials

<b>Communications power <math>U_L</math></b>	7.5 V
<b>Current consumption from <math>U_L</math></b>	max. 60 mA

### Digital outputs

<b>Output name</b>	Relay output
<b>Connection method</b>	Spring-cage connection
<b>Connection method</b>	Floating SPDT relay contact
<b>Number of outputs</b>	1
<b>Maximum output current per channel</b>	2.6 A
<b>Maximum output current per module</b>	2.6 A

## classifications

### eCl@ss

<b>eCl@ss 4.0</b>	27250302
<b>eCl@ss 4.1</b>	27250302
<b>eCl@ss 5.0</b>	27250302
<b>eCl@ss 5.1</b>	27242604
<b>eCl@ss 6.0</b>	27242604
<b>eCl@ss 7.0</b>	27242604
<b>eCl@ss 8.0</b>	27242604

### ETIM

<b>ETIM 2.0</b>	EC001430
-----------------	----------

# Inline terminal - IB IL 24/230 DOR1/W-PC-PAC - 2862178

## classifications

### ETIM

<b>ETIM 3.0</b>	EC001599
<b>ETIM 4.0</b>	EC001599
<b>ETIM 5.0</b>	EC001599

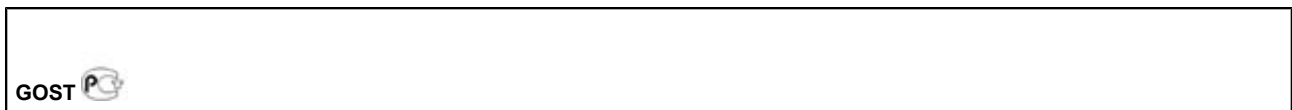
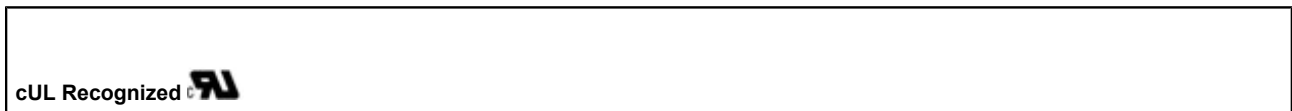
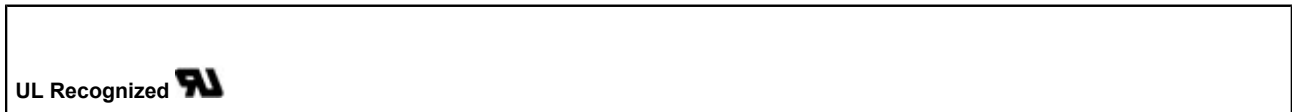
### UNSPSC

<b>UNSPSC 6.01</b>	43172015
<b>UNSPSC 7.0901</b>	43201404
<b>UNSPSC 11</b>	43172015
<b>UNSPSC 12.01</b>	43201404
<b>UNSPSC 13.2</b>	43201404

## approvals

UL Recognized / cUL Recognized / GOST / cULus Recognized /

### Approval details



## accessories

### Plug

IB IL SCN-8-AC-REL - 2740290



## Inline terminal - IB IL 24/230 DOR1/W-PC-PAC - 2862178

accessories

### Labeling panel

IB IL FIELD 2 - 2727501



IB IL FIELD 8 - 2727515



### Terminal marking

ESL 62X10 - 0809492



ESL 62X46 - 0809502



### Distance terminal

IB IL DOR LV-SET - 2742641



## Inline terminal - IB IL 24/230 DOR1/W-PC-PAC - 2862178

### accessories

IB IL DOR LV-SET-PAC - 2861645



---

IB IL DOR LV-SET - 2742641



---

### Connector set

IB IL DOR LV-PLSET - 2742667

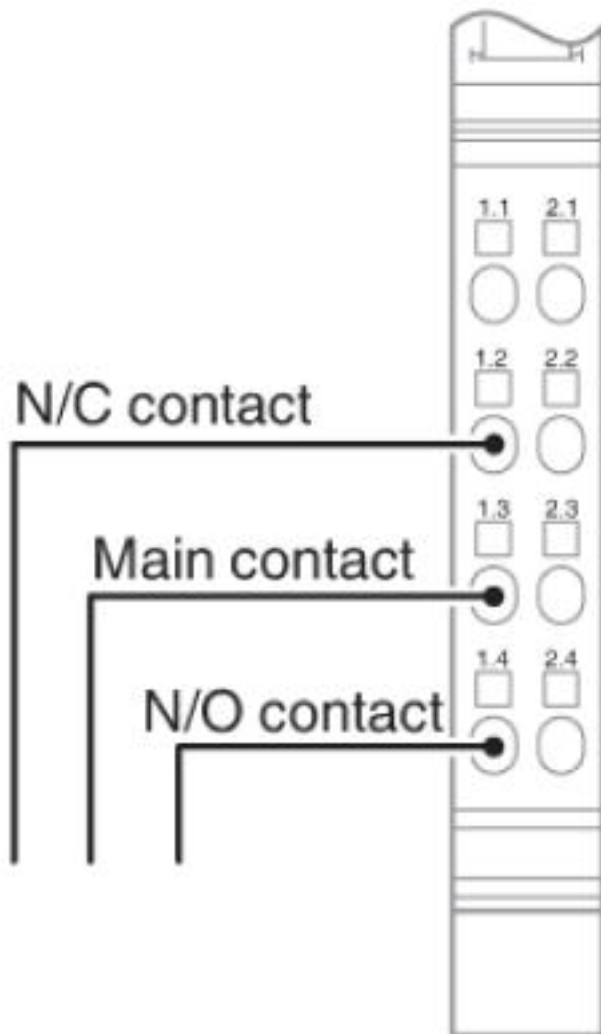


---

### Drawings

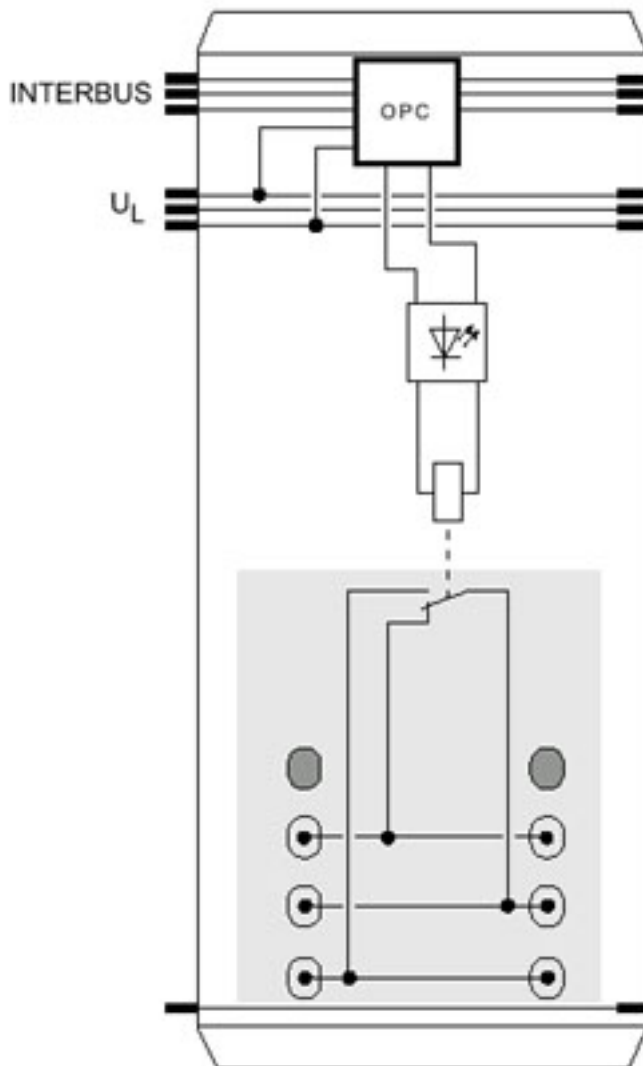
# Inline terminal - IB IL 24/230 DOR1/W-PC-PAC - 2862178

Connection diagram



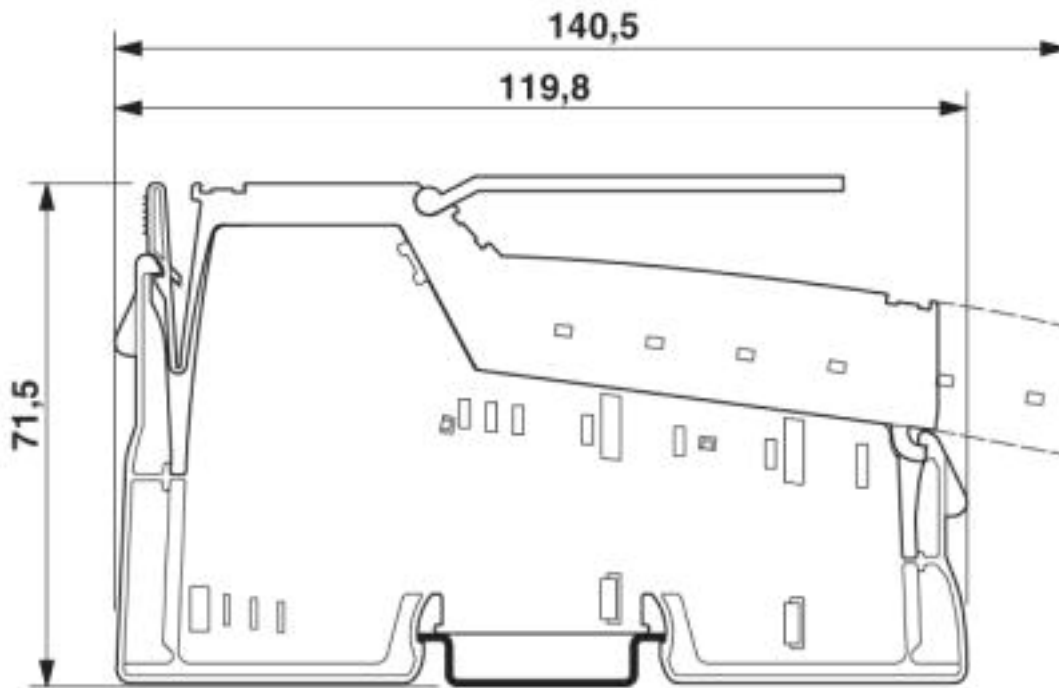
# Inline terminal - IB IL 24/230 DOR1/W-PC-PAC - 2862178

Block diagram



# Inline terminal - IB IL 24/230 DOR1/W-PC-PAC - 2862178

Dimensioned drawing



© Phoenix Contact 2013 - all rights reserved  
<http://www.phoenixcontact.com>