

Distributed I/O device - IBS RL 24 DI 16/8-T - 2836463

Please be informed that the data shown in this PDF Document is generated from our Online Catalog. Please find the complete data in the user's documentation. Our General Terms of Use for Downloads are valid (<http://download.phoenixcontact.com>)



Digital input device for INTERBUS; twisted pair with 500 kbaud, 16 inputs (24 V DC), sensor connection via 5-pos. M12 female connectors, rugged metal housing, IP67 protection

The illustration shows version IBS RL 24 DI 16/8-LK

Product Description

INTERBUS Ruggedline modules are provided for harsh ambient conditions or in the case of high requirements regarding system diagnostics. To ensure maximum availability, these modules are equipped with a zinc die-cast housing (IP67). Therefore, they can be installed in the direct vicinity of welding tongs. Each Ruggedline module consists of a mounting plate and an electronics module. The electronics module is snapped onto the mounting plate and fixed with two screws if necessary. I/O errors can be clearly localized by means of extended diagnostics. Short-circuits of the power supply of the sensors, for example, are reported in groups of 4 inputs. And, in the case of a short-circuit at an output, the respective output is even reported directly. This information will be made available to the controller and displayed at the module. In the case of modules with fiber optic connection, the diagnostics capability even goes one step further. By using the latest fiber optic technology, the quality of the transmission path is permanently ascertained and optimally adjusted. This information is available to the controller and at the module. Due to these additional features, slow deterioration of the transmission path can be detected before errors occur during transmission or transmission is interrupted. In the case of Ruggedline modules, the bus medium can be selected. Apart from versions with fiber optic connection (polymer fiber), there are modules which are used with twisted pair cables. The bus medium can be changed from FO installation to a copper medium at any time using the corresponding plug-in adapters. The bus is connected by means of IP67 plug-in plugs, which transport both the bus signal and the power supply to the modules. For easy preparation, the power supply cable is connected to the plug using the QUICKON fast connection method, and connection of the fiber optic cable is made using a simple cutting and assembly tool; additional polishing is not necessary. If a fiber optic bus cable is assembled by the user, e.g. the bridge between 2 modules, it must be at least one meter long. For shorter cable bridges, please use only cable bridges from Phoenix Contact.

Product Features

- Rugged metal housing
- Comprehensive diagnostic functions
- M12 connector for I/O devices
- Rugged Line connector for INTERBUS, either with fiber optic or twisted pair, and supply voltage



Key commercial data

package_quantity	1
GTIN	4017918185619

Technical data

Note:

Utilization restriction	EMC: class A product, see manufacturer's declaration in the download area
-------------------------	---

Dimensions

Distributed I/O device - IBS RL 24 DI 16/8-T - 2836463

Technical data

Dimensions

Width	179 mm
Height	67 mm
Depth	71 mm
Note on dimensions	With bus connectors and mounting plate

Ambient conditions

Ambient temperature (operation)	0 °C ... 55 °C
Ambient temperature (storage/transport)	-25 °C ... 70 °C
Permissible humidity (operation)	100 %
Permissible humidity (storage/transport)	95 % (no condensation)
Air pressure (operation)	860 hPa ... 1080 hPa (up to 1500 m above mean sea level)
Air pressure (storage/transport)	660 hPa ... 1080 hPa (up to 3500 m above mean sea level)
Degree of protection	IP65/67

General

Weight	720 g
Note on weight specifications	Without plug or mounting plate
Mounting type	Wall mounting
Note	Seal unused slots/connections to ensure the degree of protection.

Interfaces

Fieldbus system	INTERBUS
Name	INTERBUS remote bus
Connection method	IP67 RL connector
Transmission speed	500 kBit/s
Transmission physics	Copper

Power supply for module electronics

Supply voltage	24 V DC
Supply voltage range	18.5 V ... 32 V (including ripple)
Ripple	Max 3.6 V _{SS} within the permissible voltage range

Digital inputs

Input name	Digital inputs
Connection method	2, 3, 4-wire
Number of inputs	16
Protective circuit	Electronic short-circuit/overload protection for each group
Input voltage range "0" signal	0 V ... 5 V
Input voltage range "1" signal	11 V ... 32 V
Typical input current per channel	50 mA

classifications

eCl@ss

Distributed I/O device - IBS RL 24 DI 16/8-T - 2836463

classifications

eCl@ss

eCl@ss 4.0	27250302
eCl@ss 4.1	27250302
eCl@ss 5.0	27250302
eCl@ss 5.1	27242604
eCl@ss 6.0	27242604
eCl@ss 7.0	27242604
eCl@ss 8.0	27242604

ETIM

ETIM 2.0	EC001430
ETIM 3.0	EC001599
ETIM 4.0	EC001599
ETIM 5.0	EC001599


UNSPSC


UNSPSC 6.01	43172015
UNSPSC 7.0901	43201404
UNSPSC 11	43172015
UNSPSC 12.01	43201404
UNSPSC 13.2	43201404

approvals

UL Recognized / cUL Recognized / INTERBUS CLUB / cULus Recognized /

Approval details

UL Recognized 	
Nominal voltage UN	24 V
Nominal current IN	0.003 A
mm ² /AWG/kcmil	

cUL Recognized 	
Nominal voltage UN	24 V
Nominal current IN	0.003 A
mm ² /AWG/kcmil	

Distributed I/O device - IBS RL 24 DI 16/8-T - 2836463

approvals

INTERBUS CLUB

cULus Recognized 

accessories

Plug

IBS RL PLUG-T - 2731898



IBS RL PLUG-T-F - 2734196



IBS CCO-PSF/L - 2780878



IBS CCO-PSM/L - 2759906



Assembly element

Distributed I/O device - IBS RL 24 DI 16/8-T - 2836463

accessories

IBS RL AP - 2731128



Labeling panel

IBS RL MARKER-SET - 2732729



IBS RL MARKER-G-SET - 2734727



IBS RL MARKER-K-SET - 2734730



Remote bus cable

IBS RBC METER/F-T - 2723123



Distributed I/O device - IBS RL 24 DI 16/8-T - 2836463

accessories

IBS RBC METER-T - 2806286



Cable by the meter

IBS PWR/5HD/F - 2731775



IBS PWR/5 - 2820000



Y-distributor

SAC-3P-M12Y/2XM12FS PE - 1683455



Adapter

IBS RL 24 ADAP-M23/T - 2734109



Distributed I/O device - IBS RL 24 DI 16/8-T - 2836463

accessories

IBS RL 24 ADAP-T/M23 - 2734112



Connector set

IBS CCO-R/L - 2759883



Bridge

IBS RL CONNECTION-T - 2733061



accessories

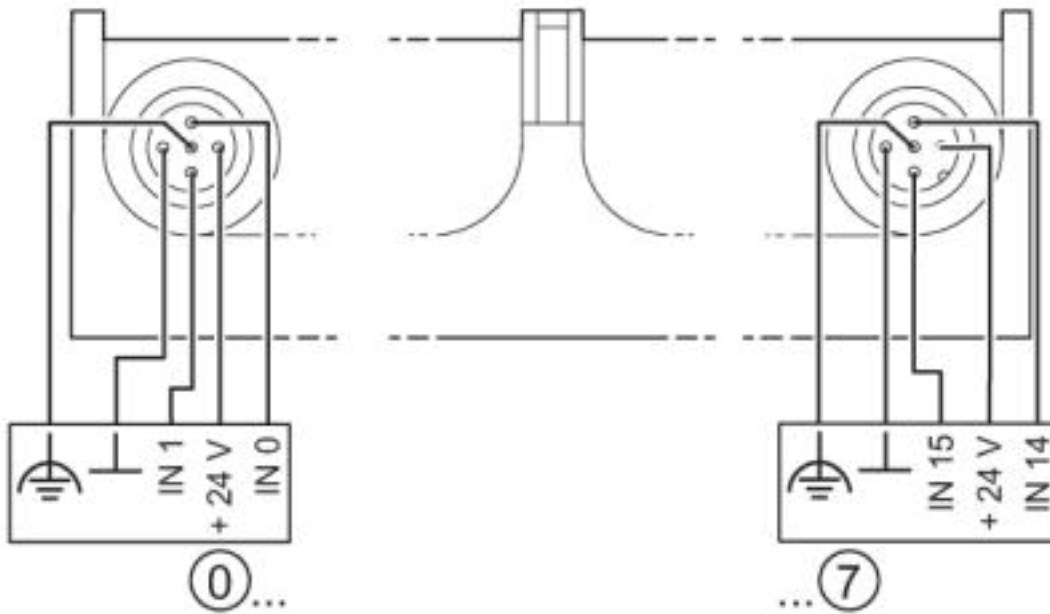
IBS RL SYS PRO UM - 2743705



Drawings

Distributed I/O device - IBS RL 24 DI 16/8-T - 2836463

Connection diagram



© Phoenix Contact 2013 - all rights reserved
<http://www.phoenixcontact.com>