

Pin strip - PST 1,3/ 3-5,0 R24 - 1713169

Please be informed that the data shown in this PDF Document is generated from our Online Catalog. Please find the complete data in the user's documentation. Our General Terms of Use for Downloads are valid (<http://download.phoenixcontact.com>)



Header, Nominal current: 12 A, Rated voltage (III/2): 320 V, Number of positions: 3, Pitch: 5 mm, Color: Black, Contact surface: Tin, Assembly: Taped SMD/THT/THR components, Voltage and current depend on the plug-in terminal block used.

Product Features

- Pin strip with pad pushed on for suction pipette for optional tape-on-reel packing
- Various pin lengths and pin geometries available on request
- 5.0 mm pitch
- Pin strip available in machine-capable packaging (tube magazine or tape)
- Optimum pin geometry so as to not damage the plug
- Reflow solderable pin strip, optimized for COMBICON compact connectors

Key commercial data

package_quantity	330
GTIN	4046356088992

Technical data

Dimensions

Length	2.8 mm
Pitch	5 mm
Dimension a	10 mm
Pin dimensions	1,3 mm
Hole diameter	1.6 mm

General

Range of articles	PST 1,3/..-V
Insulating material group	IIIa
Rated surge voltage (III/3)	4 kV
Rated surge voltage (III/2)	4 kV
Rated surge voltage (II/2)	4 kV
Rated voltage (III/3)	250 V
Rated voltage (III/2)	320 V
Rated voltage (II/2)	400 V
Connection in acc. with standard	EN-VDE
Nominal current I_N	12 A (depends on the plug used)
Maximum load current	10 A (depends on the plug used)

Pin strip - PST 1,3/ 3-5,0 R24 - 1713169

Technical data

General

Insulating material	PA
Inflammability class according to UL 94	V0
Color	Black
Number of positions	3

classifications

eCl@ss

eCl@ss 4.0	272607xx
eCl@ss 4.1	27260701
eCl@ss 5.0	27260701
eCl@ss 5.1	27260701
eCl@ss 6.0	27260704
eCl@ss 7.0	27440402
eCl@ss 8.0	27440402

ETIM

ETIM 3.0	EC001121
ETIM 4.0	EC002637
ETIM 5.0	EC002637


UNSPSC

UNSPSC 6.01	30211801
UNSPSC 7.0901	39121432
UNSPSC 11	34131203
UNSPSC 12.01	39121432
UNSPSC 13.2	39121432

approvals

CSA / UL Recognized / SEV / cUL Recognized / GOST / CCA / GOST / cULus Recognized /

Approval details

		
Usegroups	B	D
Nominal voltage UN	300 V	300 V
Nominal current IN	5 A	5 A
mm ² /AWG/kcmil		

Pin strip - PST 1,3/ 3-5,0 R24 - 1713169

approvals

UL Recognized

Usegroups	B	D
Nominal voltage UN	300 V	300 V
Nominal current IN	16 A	10 A
mm ² /AWG/kcmil		

SEV

Nominal voltage UN	250 V
Nominal current IN	10 A
mm ² /AWG/kcmil	

cUL Recognized

Usegroups	B	D
Nominal voltage UN	300 V	300 V
Nominal current IN	16 A	10 A
mm ² /AWG/kcmil		

GOST

CCA

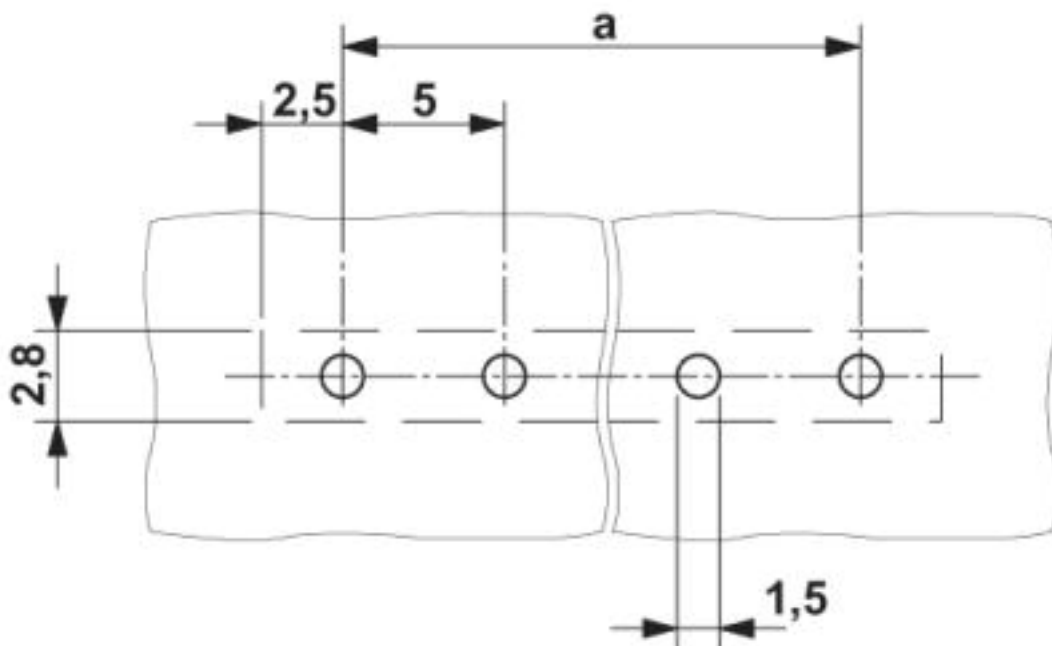
Nominal voltage UN	250 V
Nominal current IN	10 A
mm ² /AWG/kcmil	

cULus Recognized

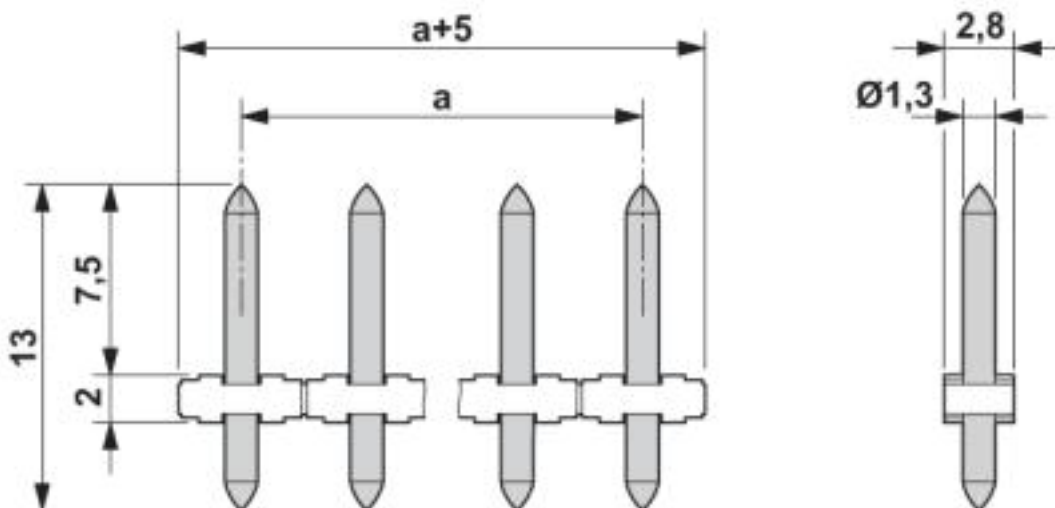
Drawings

Pin strip - PST 1,3/ 3-5,0 R24 - 1713169

Drilling diagram

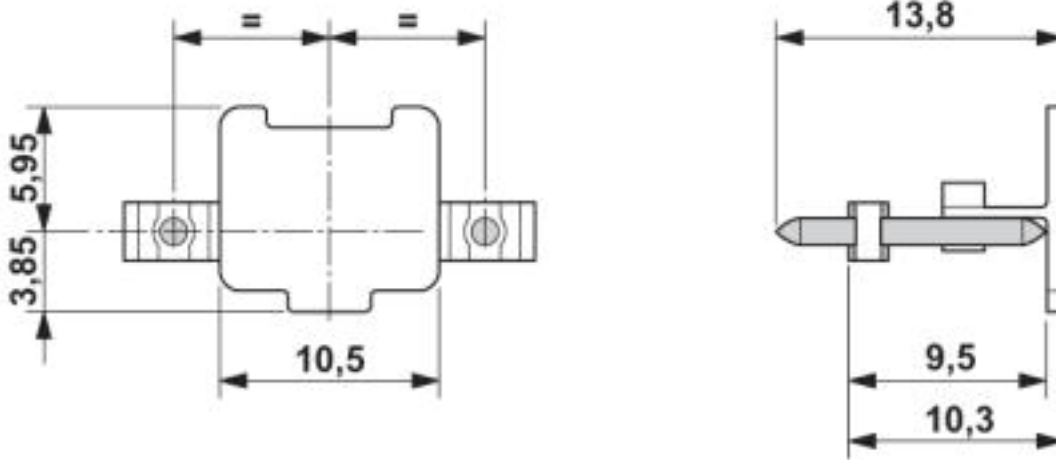


Dimensioned drawing



Pin strip - PST 1,3/ 3-5,0 R24 - 1713169

Dimensioned drawing



Dimensioned drawing

