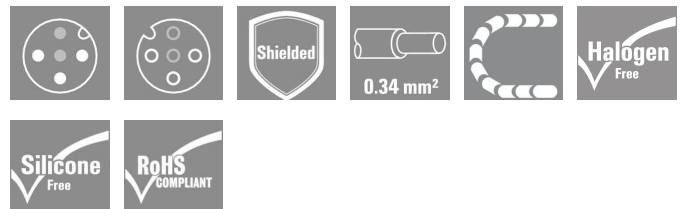


## SAIL-M12WM12W-3S3.0U

**Weidmüller Interface GmbH & Co. KG**  
 Klingenbergstraße 16  
 D-32758 Detmold  
 Germany  
 Fon: +49 5231 14-0  
 Fax: +49 5231 14-292083  
 www.weidmueller.com



Sensor/actuator cables are used for wiring sensors and actuators and for transmitting data or power in various applications. The moulded cable offers connected and tested connection of the plug-in connector to the cable ex-works. The cables may be exposed to a wide range of conditions, such as humidity, dust, heat, cold, shock or vibration.

Our developers have focused specifically on this issue and designed a host of different M8 and M12 sensor-actuator cables so you are bound to find the solution you need for your application.

Our sensor cables come with 360° shielding which provides protection against electromagnetic interference. Is there something you have not managed to find or you feel needs explanation? Talk to us!

### General ordering data

Type	SAIL-M12WM12W-3S3.0U
Order No.	<a href="#">1059720300</a>
Version	Sensor/actuator line, Connecting line, M12 / M12, No. of poles: 3, 3 m, pin, 90° - socket 90°, shielded: Yes, LED: No, Sheath material: PUR, Halogen: No
GTIN (EAN)	4032248807826
Qty.	1 pc(s).

## SAIL-M12WM12W-3S3.0U

**Weidmüller Interface GmbH & Co. KG**  
 Klingenbergstraße 16  
 D-32758 Detmold  
 Germany  
 Fon: +49 5231 14-0  
 Fax: +49 5231 14-292083  
 www.weidmueller.com

## Technische Daten

### Dimensions and weights

Net weight 115 g

### Technical specifications for cable

No. of poles shielded	3	Core cross-section	0.34 mm <sup>2</sup>
Colour coding	Brown, Blue, Black	Insulation	PP
Sheathing colour	Black	Sheath material	PUR
Cable length	3 m	Outer diameter	5.0 ± 0.2 mm
Temperature range, moving, max.	80 °C	Temperature range, moving, min.	-25 °C
Temperature range, stationary, max.	80 °C	Temperature range, stationary, min.	-40 °C
Suitable for cable carriers	Yes	Halogen	No
Bending radius, min., stationary	5 x cable diameter	Torsion resistance	0 °/m
Acceleration	5 m/s <sup>2</sup>	Bending radius, min., moving	10 x cable diameter
Bending cycles	2 Mio	Speed	200 m/min
		Resistant to welding beads	No

### General technical data

Version	pin, 90° - socket 90°	Contact tube diameter	M12 / M12
Housing main material	PUR	Threaded ring material	Brass, nickel-plated
Coding	A	Protection degree	IP 65, IP 66, IP 67, IP 68, (when screwed in)
Contact surface	Gold-plated	LED	No
Rated voltage	250 V	Rated current	4 A
Insulation resistance	10 <sup>8</sup> Ω	Temperature range of housing	-25...+85 °C
Tightening torque	M12: 0.8 - 1.2 Nm	Plugging cycles	≥ 100
Pollution severity	3	jumpered	No

### Classifications

ETIM 3.0	EC001855	eClass 5.1	27-06-91-90
eClass 6.2	27-06-91-90	eClass 7.1	27-06-91-90

### Approvals

Approvals



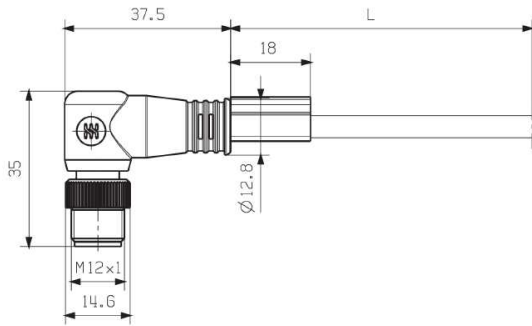
ROHS Conform

**SAIL-M12WM12W-3S3.0U**

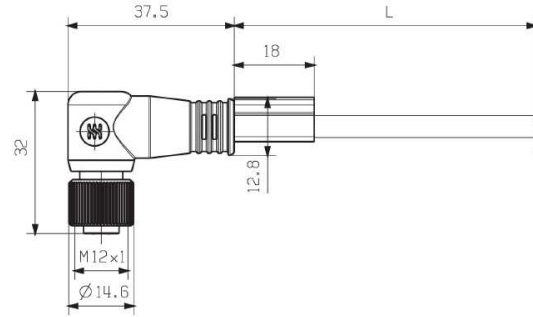
**Weidmüller Interface GmbH & Co. KG**  
 Klingenbergstraße 16  
 D-32758 Detmold  
 Germany  
 Fon: +49 5231 14-0  
 Fax: +49 5231 14-292083  
 www.weidmueller.com

**Zeichnungen**

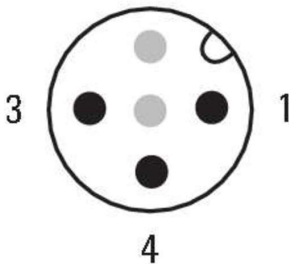
**Dimensioned drawing**



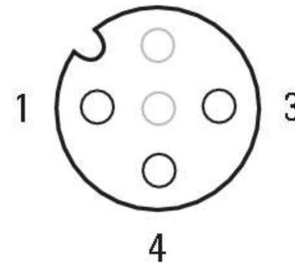
**Dimensioned drawing**



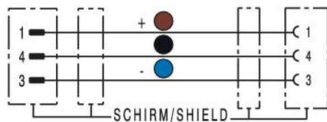
**Pole scheme**



**Pole scheme**



**Wiring diagram**



**The ideal tool, the Screwty® with torque function**



Light, securely screwed-in round plug-in connectors. Screwty set DM / VPE: 1 / Order No.: 1920000000 Adapters: M12, M12 F, M8, M8 F