

SAIL-M12W-PB-1.5D

Weidmüller Interface GmbH & Co. KG
 Klingenbergstraße 16
 D-32758 Detmold
 Germany
 Fon: +49 5231 14-0
 Fax: +49 5231 14-292083
 www.weidmueller.com



The most reliable way of achieving connections between two I/O slaves or between the control and one I/O subscriber is by way of pre-assembled cables. The line of cables covers PROFIBUS, CANopen, DeviceNet™, EtherCAT and Ethernet.

General ordering data

Type	SAIL-M12W-PB-1.5D
Order No.	1061970150
Version	Bus line, One end without connector, M12, No. of poles: 2, 1.5 m, pin, 90°, shielded: Yes, LED: No, Sheath material: PUR, Halogen: No
GTIN (EAN)	4032248810987
Qty.	1 pc(s).

SAIL-M12W-PB-1.5D

Weidmüller Interface GmbH & Co. KG

Klingenbergstraße 16

D-32758 Detmold

Germany

Fon: +49 5231 14-0

Fax: +49 5231 14-292083

www.weidmueller.com

Technische Daten

Dimensions and weights

Net weight 130 g

Technical specifications for cable

No. of poles shielded	2	Core cross-section	0.24 mm ²
Colour coding	Red, Green	Insulation	TPE
Sheathing colour	Violet	Sheath material	PUR
Cable length	1.5 m	Outer diameter	7.8 ± 0.2 mm
Temperature range, moving, max.	60 °C	Temperature range, moving, min.	-20 °C
Temperature range, stationary, max.	70 °C	Temperature range, stationary, min.	-40 °C
Suitable for cable carriers	No	Halogen	No
Bending radius, min., stationary	7.5 x cable diameter	Torsion resistance	0 °/m
Resistant to welding beads	No	Bending radius, min., moving	15 x cable diameter

General technical data

Version	pin, 90°	Contact tube diameter	M12
Housing main material	PUR	Threaded ring material	Brass, nickel-plated
Coding	B	Protection degree	IP 67
Contact surface	Gold-plated	LED	No
Rated voltage	250 V	Rated current	4 A
Insulation resistance	10 ⁸ Ω	Temperature range of housing	-25...+80 °C
Tightening torque	M12: 0.8 - 1.2 Nm	Plugging cycles	≥ 100
Pollution severity	3	jumpered	No

Classifications

eClass 5.1	27-06-91-90	eClass 6.2	27-06-03-07
eClass 7.1	27-06-03-07		

Approvals

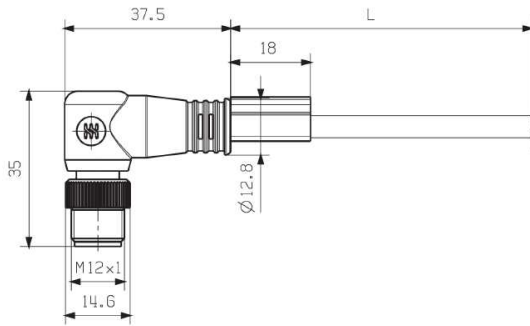
ROHS Conform

SAIL-M12W-PB-1.5D

Weidmüller Interface GmbH & Co. KG
Klingenbergstraße 16
D-32758 Detmold
Germany
Fon: +49 5231 14-0
Fax: +49 5231 14-292083
www.weidmueller.com

Zeichnungen

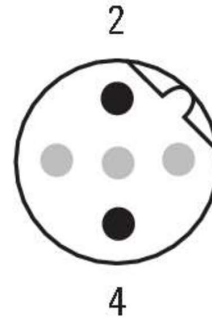
Dimensioned drawing



Male, angled

Circuit diagram

Pole scheme



Pin

The ideal tool, the Screwty® with torque function



Light, securely screwed-in round plug-in connectors. Screwty set DM / VPE: 1 / Order No.: 1920000000 Adapters: M12, M12 F, M8, M8 F