

SAIL-M12GM12W-CD-5.0A

Weidmüller Interface GmbH & Co. KG
 Klingenbergstraße 16
 D-32758 Detmold
 Germany
 Fon: +49 5231 14-0
 Fax: +49 5231 14-292083
 www.weidmueller.com



The most reliable way of achieving connections between two I/O slaves or between the control and one I/O subscriber is by way of pre-assembled cables. The line of cables covers PROFIBUS, CANopen, DeviceNet™, EtherCAT and Ethernet.

General ordering data

Type	SAIL-M12GM12W-CD-5.0A
Order No.	1061990500
Version	Bus line, Connecting line, M12 / M12, No. of poles: 5, 5 m, pin, straight - socket, 90°, shielded: Yes, LED: No, Sheath material: PUR, Halogen: No
GTIN (EAN)	4032248811717
Qty.	1 pc(s).

SAIL-M12GM12W-CD-5.0A

Weidmüller Interface GmbH & Co. KG
 Klingenbergstraße 16
 D-32758 Detmold
 Germany
 Fon: +49 5231 14-0
 Fax: +49 5231 14-292083
 www.weidmueller.com

Technische Daten

Dimensions and weights

Net weight 367 g

Technical specifications for cable

No. of poles	5	Wire cross section	2 x 0.34 mm ² + 2 x 0.22 mm ²
shielded	Yes	Insulation	TPE
Colour coding	White, Blue, Red, Black	Sheath material	PUR
Sheathing colour	Black	Outer diameter	7.0 ± 0.3 mm
Cable length	5 m	Temperature range, moving, min.	-10 °C
Temperature range, moving, max.	80 °C	Temperature range, stationary, min.	-40 °C
Temperature range, stationary, max.	80 °C	Halogen	No
Suitable for cable carriers	Yes	Torsion resistance	0 °/m
Bending radius, min., stationary	5 x cable diameter	Bending radius, min., moving	10 x cable diameter
Acceleration	5 m/s ²	Speed	180 m/min
Resistant to welding beads	No		

General technical data

Version	pin, straight - socket, 90°	Contact tube diameter	M12 / M12
Housing main material	PUR	Threaded ring material	Brass, nickel-plated
Coding	A	Protection degree	IP 67
Contact surface	Gold-plated	LED	No
Rated voltage	125 V	Rated current	4 A
Insulation resistance	10 ⁸ Ω	Temperature range of housing	-25...+80 °C
Tightening torque	M12: 0.8 - 1.2 Nm	Plugging cycles	≥ 100
Pollution severity	3	jumpered	No

Classifications

ETIM 3.0	EC001855	eClass 5.1	27-06-91-90
eClass 6.2	27-06-03-07	eClass 7.1	27-06-03-07

Approvals

Approvals



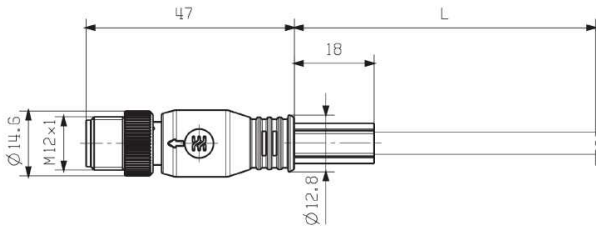
ROHS Conform

SAIL-M12GM12W-CD-5.0A

Weidmüller Interface GmbH & Co. KG
 Klingenbergstraße 16
 D-32758 Detmold
 Germany
 Fon: +49 5231 14-0
 Fax: +49 5231 14-292083
 www.weidmueller.com

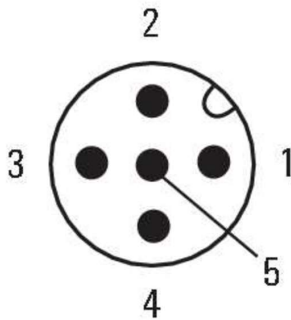
Zeichnungen

Dimensioned drawing



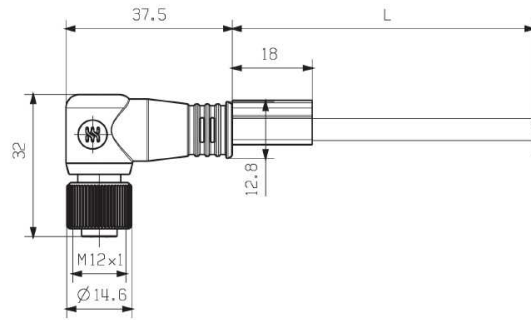
Male, straight

Pole scheme



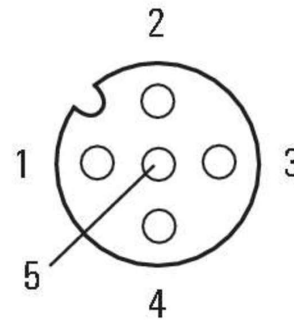
Pin

Dimensioned drawing



Socket angled

Pole scheme



Socket

Wiring diagram

The ideal tool, the Screwty® with torque function



Light, securely screwed-in round plug-in connectors. Screwty set DM / VPE: 1 / Order No.: 1920000000 Adapters: M12, M12 F, M8, M8 F