

SAIL-M12WM12G-PB-3.0E

Weidmüller Interface GmbH & Co. KG
 Klingenbergstraße 16
 D-32758 Detmold
 Germany
 Fon: +49 5231 14-0
 Fax: +49 5231 14-292083
 www.weidmueller.com



The most reliable way of achieving connections between two I/O slaves or between the control and one I/O subscriber is by way of pre-assembled cables. The line of cables covers PROFIBUS, CANopen, DeviceNet™, EtherCAT and Ethernet.

General ordering data

Type	SAIL-M12WM12G-PB-3.0E
Order No.	1062390300
Version	Bus line, Connecting line, M12 / M12, No. of poles: 2, 3 m, pin, angled - bush straight, shielded: Yes, LED: No, Sheath material: PVC, Halogen: Yes
GTIN (EAN)	4032248812639
Qty.	1 pc(s).

SAIL-M12WM12G-PB-3.0E

Weidmüller Interface GmbH & Co. KG
 Klingenbergstraße 16
 D-32758 Detmold
 Germany
 Fon: +49 5231 14-0
 Fax: +49 5231 14-292083
 www.weidmueller.com

Technische Daten

Dimensions and weights

Net weight 231 g

Technical specifications for cable

No. of poles shielded	2	Core cross-section	0.34 mm ²
Colour coding	Red, Green	Insulation	PVC
Sheathing colour	Violet	Sheath material	PVC
Cable length	3 m	Outer diameter	7.8 ± 0.2 mm
Temperature range, moving, max.	60 °C	Temperature range, moving, min.	-5 °C
Temperature range, stationary, max.	70 °C	Temperature range, stationary, min.	-20 °C
Suitable for cable carriers	No	Halogen	Yes
Bending radius, min., stationary	18 x cable diameter	Torsion resistance	0 °/m
Resistant to welding beads	No	Bending radius, min., moving	9 x cable diameter

General technical data

Version	pin, angled - bush straight	Contact tube diameter	M12 / M12
Housing main material	PUR	Threaded ring material	Brass, nickel-plated
Coding	B	Protection degree	IP 67
Contact surface	Gold-plated	LED	No
Rated voltage	250 V	Rated current	4 A
Insulation resistance	10 ⁸ Ω	Temperature range of housing	-25...+80 °C
Tightening torque	M12: 0.8 - 1.2 Nm	Plugging cycles	≥ 100
Pollution severity	3	jumpered	No

Classifications

ETIM 3.0	EC001408	eClass 5.1	27-06-91-90
eClass 6.2	27-06-03-07	eClass 7.1	27-06-03-07

Approvals

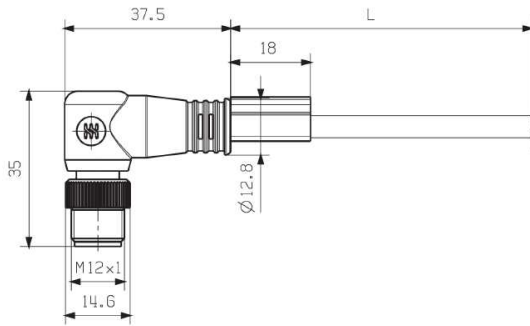
Approvals	
ROHS	Conform

SAIL-M12WM12G-PB-3.0E

Weidmüller Interface GmbH & Co. KG
 Klingenbergstraße 16
 D-32758 Detmold
 Germany
 Fon: +49 5231 14-0
 Fax: +49 5231 14-292083
 www.weidmueller.com

Zeichnungen

Dimensioned drawing



Male, angled

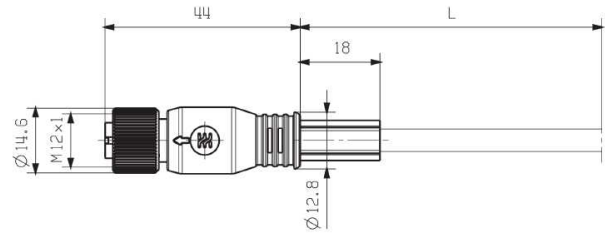
Pole scheme



Pin

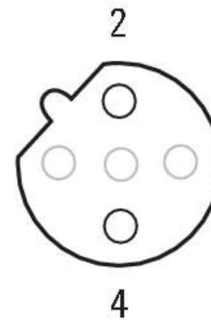
Wiring diagram

Dimensioned drawing



Straight socket

Pole scheme



Socket

The ideal tool, the Screwty® with torque function



Light, securely screwed-in round plug-in connectors. Screwty set DM / VPE: 1 / Order No.: 1920000000 Adapters: M12, M12 F, M8, M8 F