

Base strip - PCV 4/ 6-G-7,62 - 1804726

Please be informed that the data shown in this PDF Document is generated from our Online Catalog. Please find the complete data in the user's documentation. Our General Terms of Use for Downloads are valid (<http://download.phoenixcontact.com>)



Header, Nominal current: 20 A, Rated voltage (III/2): 630 V, Number of positions: 6, Pitch: 7.62 mm, Color: green, Contact surface: Tin, Assembly: Soldering, Mounting flange: Accessory Order No. 1827570

The figure shows a 5-pos. version of the product

Product Features

- PCB-SHIELD shroud for a professional EMC shield connection
- Vibration-resistant connection by means of separate BF-PC 4 mounting flanges (also for screw connection in the device)
- CP-PC RD coding profiles as protection against mismatching
- PC 4 headers for use in combination with all PC 4 plugs

Key commercial data

| | |
|------------------|---------------|
| package_quantity | 50 |
| GTIN | 4017918046163 |

Technical data

Dimensions

| | |
|----------------|------------|
| Length | 14.3 mm |
| Pitch | 7.62 mm |
| Dimension a | 38.1 mm |
| Pin dimensions | 1 x 0,8 mm |
| Hole diameter | 1.3 mm |

General

| | |
|----------------------------------|------------|
| Range of articles | PCV 4/..-G |
| Insulating material group | I |
| Rated surge voltage (III/3) | 6 kV |
| Rated surge voltage (III/2) | 6 kV |
| Rated surge voltage (II/2) | 6 kV |
| Rated voltage (III/3) | 400 V |
| Rated voltage (III/2) | 630 V |
| Rated voltage (II/2) | 630 V |
| Connection in acc. with standard | EN-VDE |
| Nominal current I _N | 20 A |
| Maximum load current | 20 A |
| Insulating material | PA |

Base strip - PCV 4/ 6-G-7,62 - 1804726

Technical data

General

| | |
|--|-------|
| Inflammability class according to UL 94 | V0 |
| Color | green |
| Number of positions | 6 |

classifications

eCl@ss

| | |
|-------------------|----------|
| eCl@ss 4.0 | 272607xx |
| eCl@ss 4.1 | 27260701 |
| eCl@ss 5.0 | 27260701 |
| eCl@ss 5.1 | 27260701 |
| eCl@ss 6.0 | 27260704 |
| eCl@ss 7.0 | 27440402 |
| eCl@ss 8.0 | 27440402 |

ETIM

| | |
|-----------------|----------|
| ETIM 3.0 | EC001121 |
| ETIM 4.0 | EC002637 |
| ETIM 5.0 | EC002637 |


UNSPSC

| | |
|----------------------|----------|
| UNSPSC 6.01 | 30211810 |
| UNSPSC 7.0901 | 39121409 |
| UNSPSC 11 | 39121409 |
| UNSPSC 12.01 | 39121409 |
| UNSPSC 13.2 | 39121409 |

approvals

CSA / UL Recognized / cUL Recognized / GOST / LR / GL / BV / DNV / RS / GOST / cULus Recognized /

Approval details

| | | |
|---|----------|----------|
|  | | |
| Usegroups | B | C |
| Nominal voltage UN | 300 V | 300 V |
| Nominal current IN | 20 A | 20 A |
| mm ² /AWG/kcmil | | |

Base strip - PCV 4/ 6-G-7,62 - 1804726

approvals

UL Recognized

| Usegroups | B | C |
|----------------------------|-------|-------|
| Nominal voltage UN | 300 V | 300 V |
| Nominal current IN | 20 A | 20 A |
| mm ² /AWG/kcmil | | |

cUL Recognized

| Usegroups | B | C |
|----------------------------|-------|-------|
| Nominal voltage UN | 300 V | 300 V |
| Nominal current IN | 20 A | 20 A |
| mm ² /AWG/kcmil | | |

GOST

LR

| | |
|----------------------------|-------|
| Nominal voltage UN | 400 V |
| Nominal current IN | 20 A |
| mm ² /AWG/kcmil | |

GL

| | |
|----------------------------|-------|
| Nominal voltage UN | 400 V |
| Nominal current IN | 20 A |
| mm ² /AWG/kcmil | |

BV

DNV

RS

Base strip - PCV 4/ 6-G-7,62 - 1804726

approvals

cULus Recognized  US

accessories

Flange

BF-PC 4 - 1827570



Coding element

CP-PC RD - 1701967



Labeled terminal marker

SK 7,62/3,8:FORTL.ZAHLEN - 0804549



Terminal marking

SK U/3,8 WH:UNBEDRUCKT - 0803906



Base strip - PCV 4/ 6-G-7,62 - 1804726

accessories

Marker pen

B-STIFT - 1051993



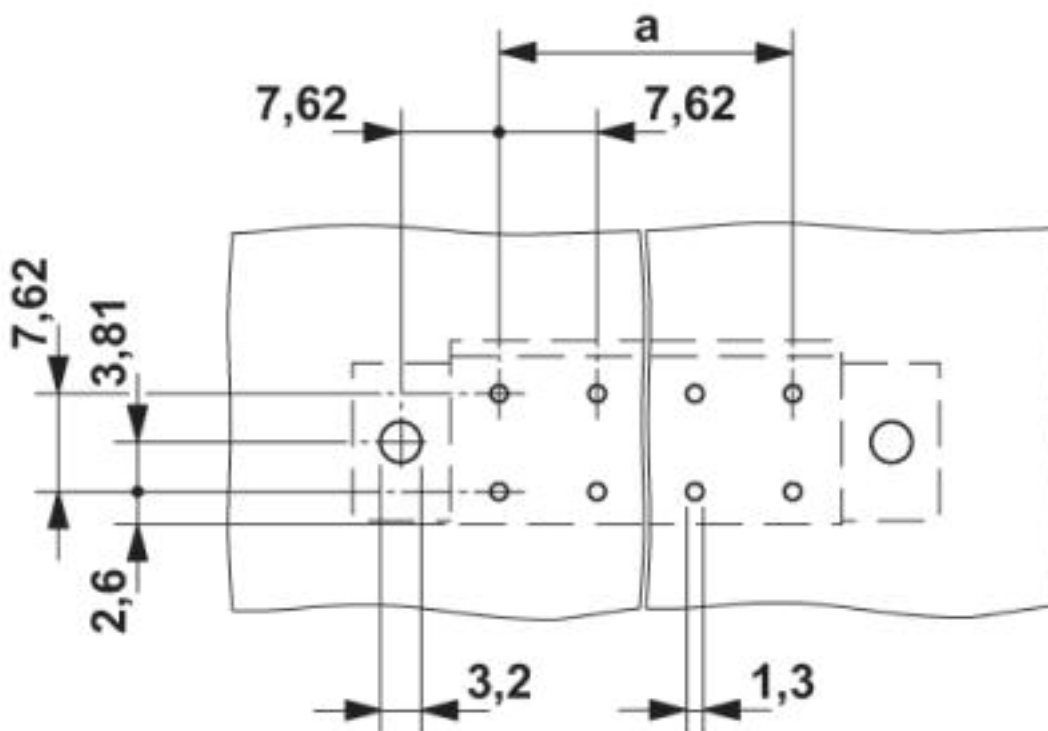
accessories

SK 7,62/3,8:SO - 0805153



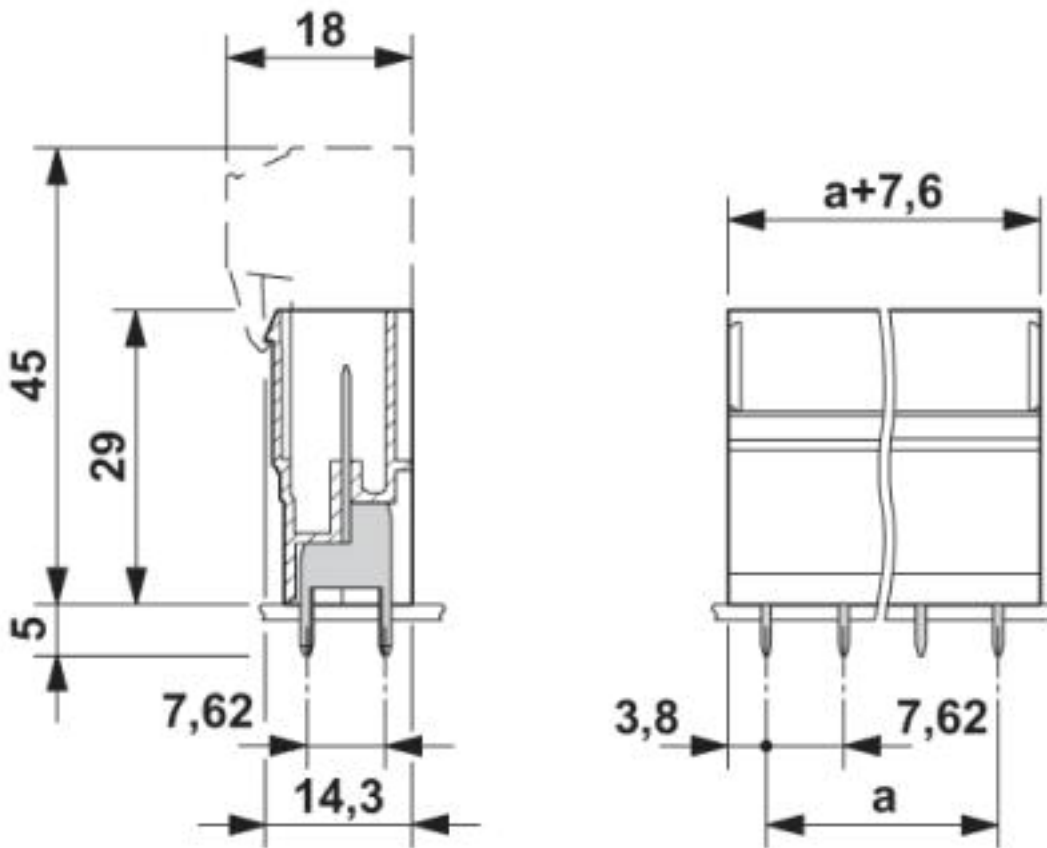
Drawings

Drilling diagram



Base strip - PCV 4/ 6-G-7,62 - 1804726

Dimensioned drawing



© Phoenix Contact 2013 - all rights reserved
<http://www.phoenixcontact.com>