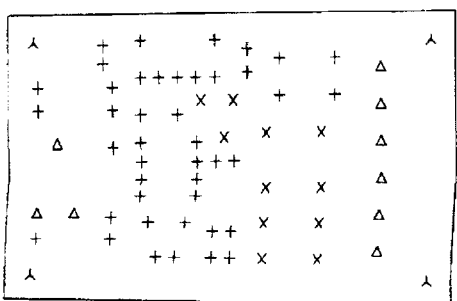
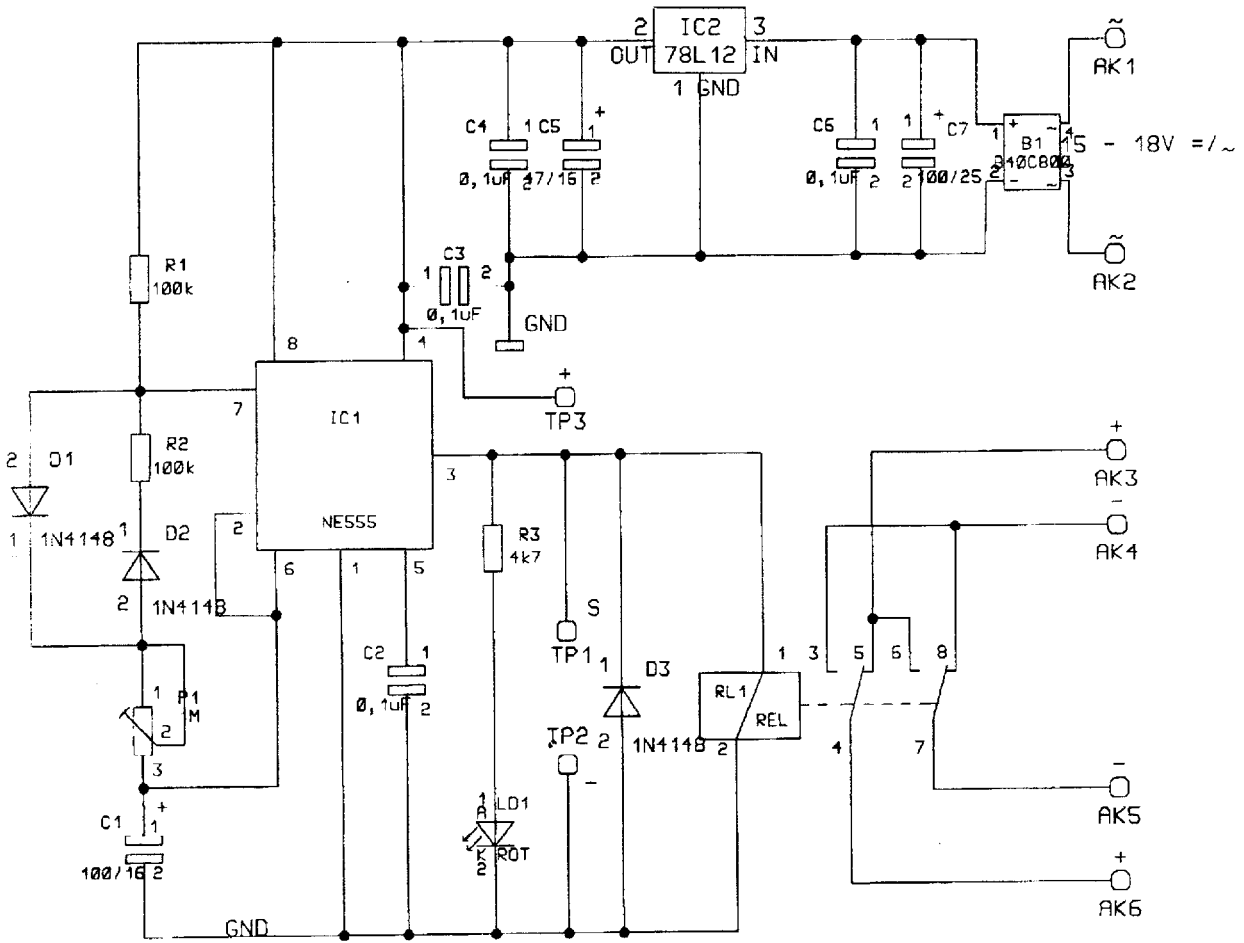
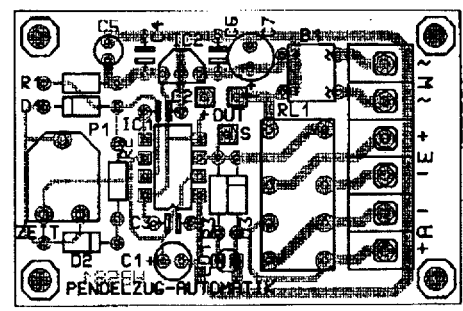


HB 581

Pendelzugsteuerung



Symbol	Drill Size (MM.)	No. of Holes
+	0,800	43
x	1,000	11
Δ	1,300	9
λ	3,200	4