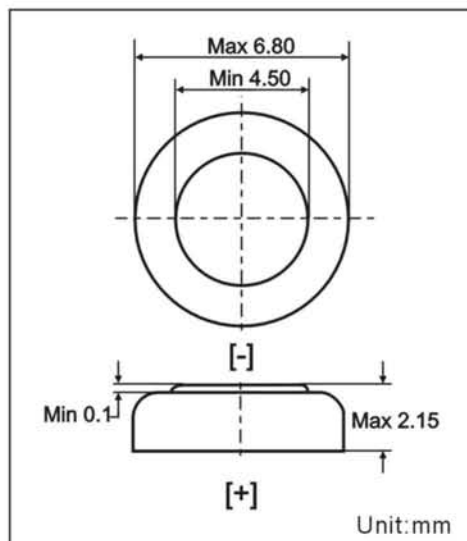


# ALKALINE BUTTON BATTERY

## AG 1

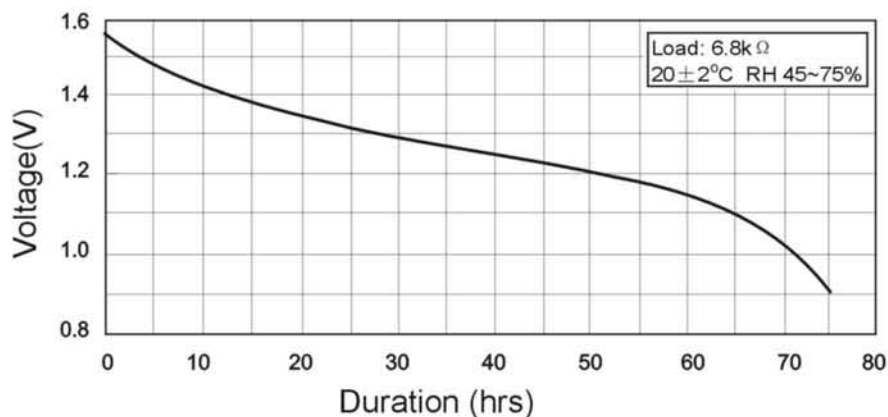


**Chemical System :** Primary Alkaline  
**Camelion No. :** AG 1  
**Average Weight :** 0.28g  
**Dimension (O x H) :** 6.80 x2.15mm  
**Negative Terminal :** Trimetal or steel gold plated  
**Positive Terminal:** Nickel plated steel  
**Nominal Voltage :** 1.5Volts  
**Nominal Service Capacity:** 13.0mAh  
(20±2°C , Rated at 6.8K Ω to 0.9V)  
**Discharge Current:** 0~5.0mA  
**Environmental :** No mercury and cadmium added formulation  
**Cross Reference:** 364A,L621

### Discharge Characteristic

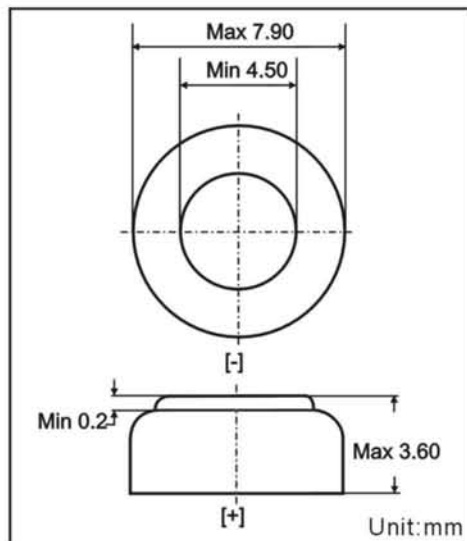
Load Resistance	Cut Off Voltage	Discharge Pattern	Starting Drain	Duration
6.8k Ω	0.9V	24hrs/day	0.22mA	75hrs

### Discharge Curve



# ALKALINE BUTTON BATTERY

## AG 3

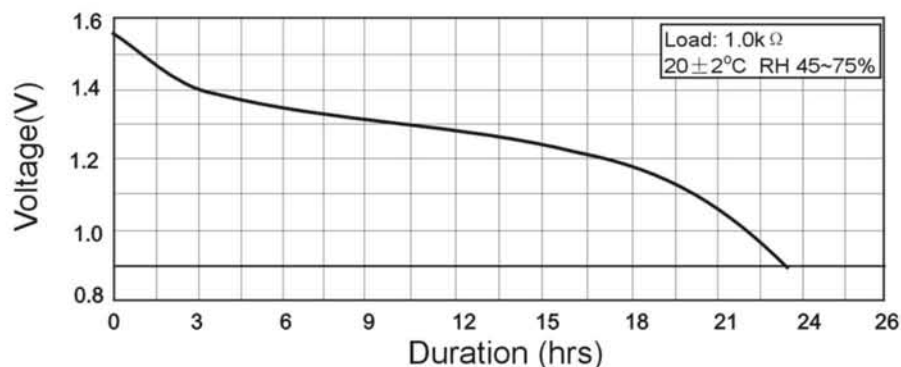


**Chemical System :** Primary Alkaline  
**Camelion No. :** AG 3  
**IEC Name:** LR 41, LR736  
**Average Weight :** 0.6g  
**Dimension (O x H) :** 7.90 x3.60 mm  
**Negative Terminal :** Trimetal or steel gold plated  
**Positive Terminal:** Nickel plated steel  
**Nominal Voltage :** 1.5Volts  
**Nominal Service Capacity:** 28.0mAh  
(20±2°C , Rated at 1.0KΩ to 0.90V)  
**Discharge Current:** 0~5.0mA  
**Environmental :** No mercury and cadmium added formulation  
**Cross Reference:** V3GA(Varta), 192(Eveready), LR41(Maxcell), 392A(Other)

### Discharge Characteristic

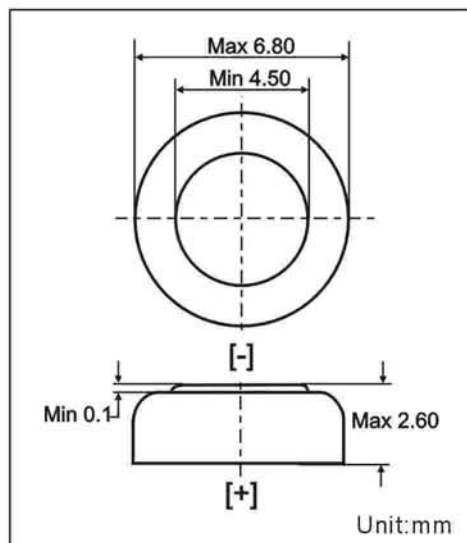
Load Resistance	Cut Off Voltage	Discharge Pattern	Starting Drain	Duration
1.0kΩ	0.90V	24hrs/day	1.5mA	23hrs

### Discharge Curve



# ALKALINE BUTTON BATTERY

## AG4

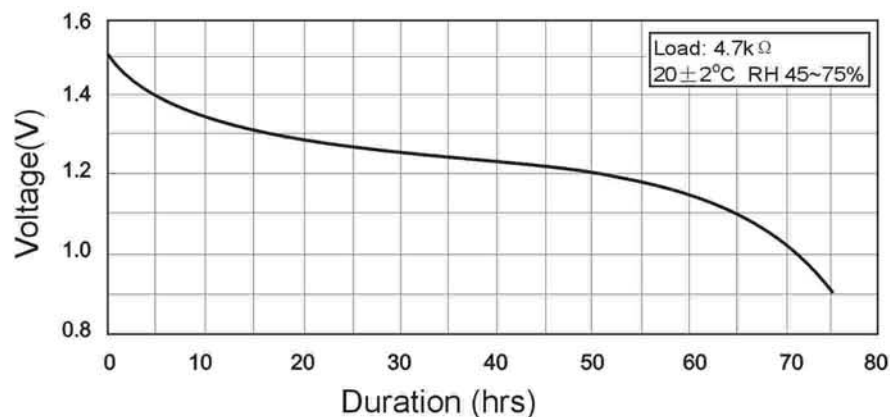


**Chemical System :** Primary Alkaline  
**Camelion No. :** AG4  
**IEC Name:** LR66, LR626  
**Average Weight :** 0.36g  
**Dimension (O x H) :** 6.80 x 2.60mm  
**Negative Terminal :** Trimetal or steel gold plated  
**Positive Terminal:** Nickel plated steel  
**Nominal Voltage :** 1.5Volts  
**Nominal Service Capacity:** 18.0mAh  
(20±2°C , Rated at 4.7KΩ to 0.9V)  
**Discharge Current:** 0~5.0mA  
**Environmental :** No mercury and cadmium added formulation  
**Cross Reference:** 377,L626

### Discharge Characteristic

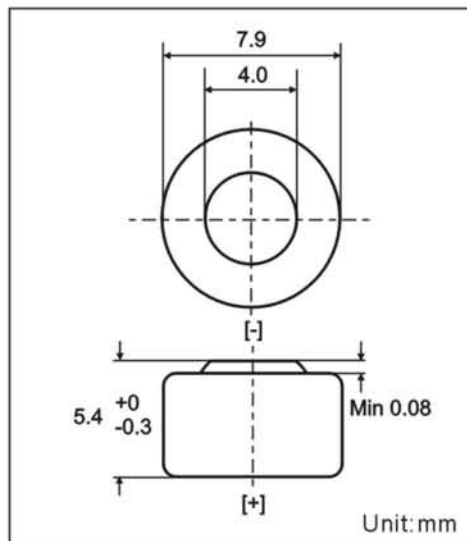
Load Resistance	Cut Off Voltage	Discharge Pattern	Starting Drain	Duration
4.7kΩ	0.9V	24hrs/day	0.32mA	74hrs

### Discharge Curve



# ALKALINE BUTTON BATTERY

## AG 5

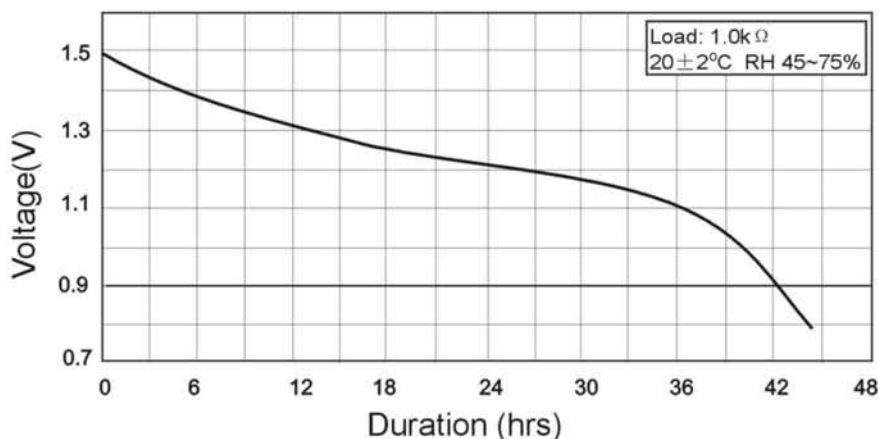


**Chemical System :** Primary Alkaline  
**Camelion No. :** AG 5  
**IEC Name:** LR 48, LR754  
**Average Weight :** 0.86g  
**Dimension (O x H) :** 7.90 x 5.40 mm  
**Negative Terminal :** Trimetal or steel gold plated  
**Positive Terminal:** Nickel plated steel  
**Nominal Voltage :** 1.5Volts  
**Nominal Service Capacity:** 53.0mAh  
(20±2°C , Rated at 1.0KΩ to 0.90V)  
**Discharge Current:** 0~5.0mA  
**Environmental :** No mercury and cadmium added formulation  
**Cross Reference:** 193(Eveready),393A(Other)

### Discharge Characteristic

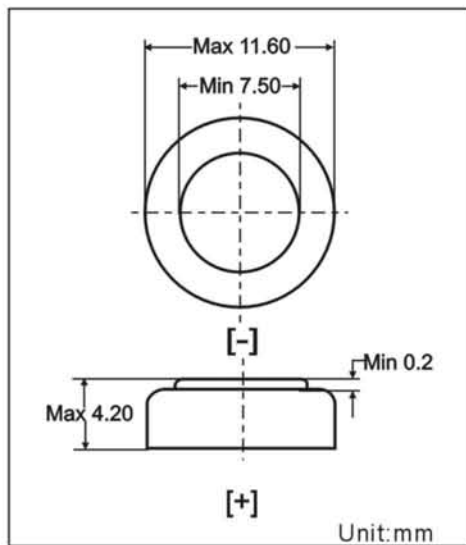
Load Resistance	Cut Off Voltage	Discharge Pattern	Starting Drain	Duration
1.0kΩ	0.90V	24hrs/day	1.5mA	42hrs

### Discharge Curve



# ALKALINE BUTTON BATTERY

## AG 12



**Chemical System :** Primary Alkaline

**Camelion No. :** AG 12

**IEC Name:** LR 43

**ANSI/NEDA:** 1167A

**Average Weight :** 1.55g

**Dimension (O x H) :** 11.60 x 4.20 mm

**Negative Terminal :** Trimetal or steel gold plated

**Positive Terminal:** Nickel plated steel

**Nominal Voltage :** 1.5Volts

**Nominal Service Capacity:** 108mAh

( $20 \pm 2^\circ\text{C}$  , Rated at  $1.0\text{K}\Omega$  to 0.9V)

**Discharge Current:** 0~10.0mA

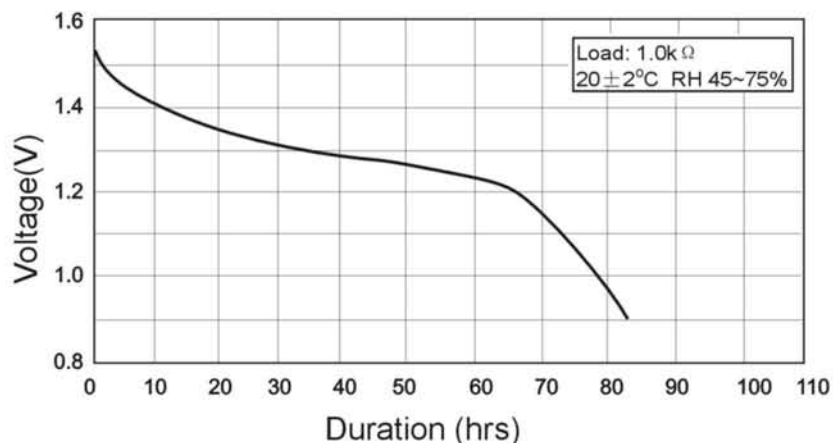
**Environmental :** No mercury and cadmium added formulation

**Cross Reference:** V12GA(Varta), RW84(Rayovac), 186(Eveready), LR43(Maxcell), 386A(Other)

### Discharge Characteristic

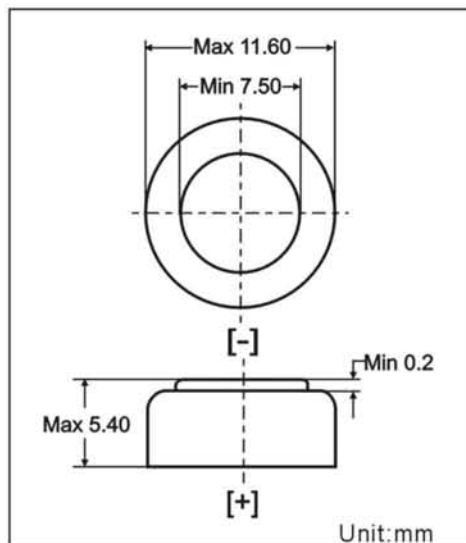
Load Resistance	Cut Off Voltage	Discharge Pattern	Starting Drain	Duration
1.0k $\Omega$	0.90V	24hrs/day	1.5mA	82hrs

### Discharge Curve



# ALKALINE BUTTON BATTERY

## AG 13



**Chemical System :** Primary Alkaline

**Camelion No. :** AG 13

**IEC Name:** LR 44

**ANSI/NEDA:** 1166A

**Average Weight :** 1.9g

**Dimension (O x H) :** 11.60 x 5.40 mm

**Negative Terminal :** Trimetal or steel gold plated

**Positive Terminal:** Nickel plated steel

**Nominal Voltage :** 1.5Volts

**Nominal Service Capacity:** 138mAh

( $20 \pm 2^\circ\text{C}$  , Rated at  $1.0\text{K}\Omega$  to 0.9V)

**Discharge Current:** 0~10.0mA

**Environmental :** No mercury and cadmium added formulation

**Cross Reference:** V13GA(Varta), RW82(Rayovac), A76(Eveready), LR44(Maxcell), 357A(Other)

### Discharge Characteristic

Load Resistance	Cut Off Voltage	Discharge Pattern	Starting Drain	Duration
1.0k $\Omega$	0.90V	24hrs/day	1.5mA	105hrs

### Discharge Curve

