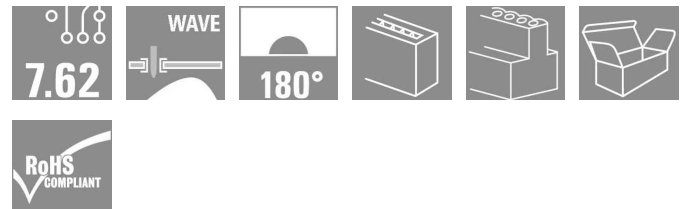


OMNIMATE Power - series BL/SL 7.62HP BLL 7.62HP/03/180 3.2SN BK BX

Weidmüller Interface GmbH & Co. KG
 Klingenbergstraße 16
 D-32758 Detmold
 Germany
 Fon: +49 5231 14-0
 Fax: +49 5231 14-292083
 www.weidmueller.com



180° socket block in 7.62 pitch for the PCB. Fulfils the requirements of IEC 61800-5-1 and enables UL approval according to UL840 (600 V). This is the perfect finger-safe solution for power outputs and DC-link applications. According to IEC61800-5-1, the mating profile ensures more than 3 mm of touch safety is present. Also available in variants without flange, with screw flange, or with solder flange.

- 400 V (IEC) / 300 V (UL)
- 20 A (IEC) / 15 A (UL)
- 600 V is possible with UL 840 device approval

General ordering data

Type	BLL 7.62HP/03/180 3.2SN BK BX
Order No.	1122080000
Version	PCB plug-in connector, female header, closed side, Solder connection, 7.62 mm, No. of poles: 3, 180°, Solder pin length (l): 3.2 mm, tinned, Black
GTIN (EAN)	4032248903214
Qty.	84 pc(s).
Product data	IEC: 630 V / 24 A UL: 300 V / 20 A

OMNIMATE Power - series BL/SL 7.62HP BLL 7.62HP/03/180 3.2SN BK BX

Weidmüller Interface GmbH & Co. KG
Klingenbergstraße 16
D-32758 Detmold
Germany
Fon: +49 5231 14-0
Fax: +49 5231 14-292083
www.weidmueller.com

Technische Daten

Dimensions and weights

Net weight 4.726 g

System parameters

Product family		Mounting onto the PCB	
OMNIMATE Power - series BL/SL 7.62HP		Solder connection	
Outgoing elbow	180°	Pitch in mm (P)	7.62 mm
Pitch in inches (P)	0.3 inch	No. of poles	3
Solder pin length (l)	3.2 mm	Pin dimensions	0.4 x 1.00 mm
Can be coded	Yes	Number of solder pins per pole	2
Solder eyelet hole diameter (D)	1.3 mm	Solder eyelet hole diameter tolerance (D)+	0.1 mm
L1 in mm	15.24 mm	L1 in inches	0.6 inch
Touch-safe protection acc. to DIN VDE 0470	IP 20	Touch-safe protection acc. to DIN VDE 57 106	Safe from finger touch

Material data

Insulating material	PA GF	Colour	Black
Insulating material group	IIIa	UL 94 flammability rating	V-0
CTI	≥ 200	Contact material	Cu-Leg
Contact surface	tinned	Max. relative humidity during storage	80 %

DIN IEC rating data

Rated current, min. no. of poles (Tu=20°C)	24 A	Rated current, max. no. of poles (Tu=20°C)	24 A
Rated current, number of poles (Tu=40°C), min	24 A	Rated current, number of poles (Tu=40°C), max.	21 A
Rated voltage for surge voltage class pollution degree III/3	400 V	Rated impulse voltage for surge voltage class pollution degree III/3	6 kV
Rated voltage for surge voltage class pollution degree III/2	630 V	Rated impulse voltage for surge voltage class pollution degree III/2	6 kV
Rated voltage for surge voltage class pollution degree II/2	630 V	Rated impulse voltage for surge voltage class pollution degree II/2	4 kV
Short-time withstand current resistance	3 x 1s with 180 A		

CSA rating data

Rated voltage (Use group B)	300 V	Rated current (use group B)	20 A
Rated voltage (Use group C)	150 V	Rated current (use group C)	20 A
Rated voltage (use group D)	300 V	Rated current (use group D)	10 A

UL 1059 rating data

Rated voltage (use group B)	300 V	Rated current (use group B)	20 A
Rated voltage (use group C)	150 V	Rated current (use group C)	20 A
Rated voltage (use group D)	300 V	Rated current (use group D)	10 A

Classifications

eClass 6.2	27-26-07-04	eClass 7.1	27-44-04-02
------------	-------------	------------	-------------

Datenblatt**OMNIMATE Power - series BL/SL 7.62HP
BLL 7.62HP/03/180 3.2SN BK BX****Weidmüller Interface GmbH & Co. KG**
Klingenbergstraße 16
D-32758 Detmold
Germany
Fon: +49 5231 14-0
Fax: +49 5231 14-292083
www.weidmueller.com**Technische Daten****Notes**

Notes

- Additional colours on request
- Gold-plated contact surfaces on request
- Spacing between rows: see hole layout
- Rated current related to rated cross-section & min. No. of poles.
- P on drawing = pitch
- Rated data refer only to the component itself. Clearance and creepage distances to other components are to be designed in accordance with the relevant application standards.

Approvals

Approvals



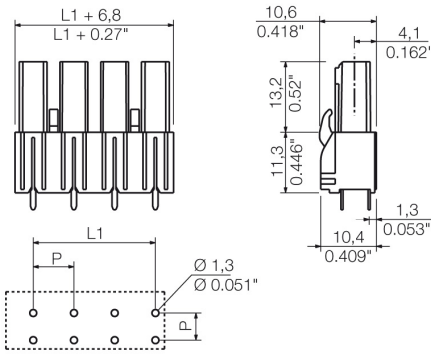
ROHS

Conform

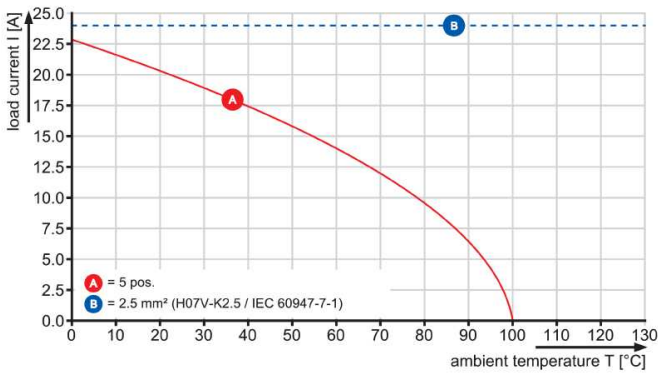
**OMNIMATE Power - series BL/SL 7.62HP
BLL 7.62HP/03/180 3.2SN BK BX**

Weidmüller Interface GmbH & Co. KG
Klingenbergstraße 16
D-32758 Detmold
Germany
Fon: +49 5231 14-0
Fax: +49 5231 14-292083
www.weidmueller.com

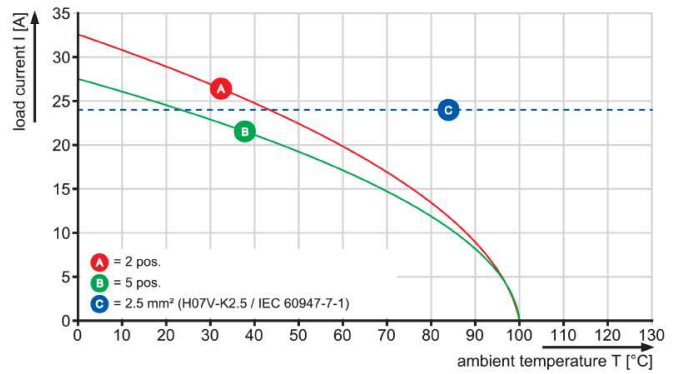
Zeichnungen



BLL 7.62HP/././90 - SLZ 7.62HP/././180



BLL 7.62HP/././90 - SLF 7.62HP/././180



BLL 7.62HP/././90 - SLZ 7.62HP/././180

