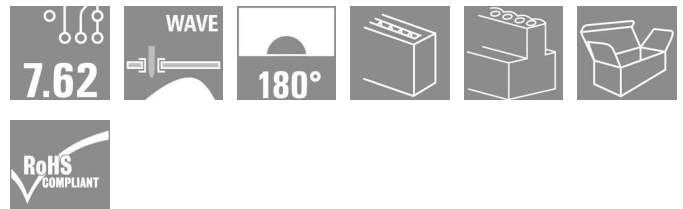


OMNIMATE Power - series BL/SL 7.62HP BLL 7.62HP/04/180 3.2SN BK BX

Weidmüller Interface GmbH & Co. KG
 Klingenbergstraße 16
 D-32758 Detmold
 Germany
 Fon: +49 5231 14-0
 Fax: +49 5231 14-292083
 www.weidmueller.com



180° socket block in 7.62 pitch for the PCB. Fulfils the requirements of IEC 61800-5-1 and enables UL approval according to UL840 (600 V). This is the perfect finger-safe solution for power outputs and DC-link applications. According to IEC61800-5-1, the mating profile ensures more than 3 mm of touch safety is present. Also available in variants without flange, with screw flange, or with solder flange.

- 400 V (IEC) / 300 V (UL)
- 20 A (IEC) / 15 A (UL)
- 600 V is possible with UL 840 device approval

General ordering data

Type	BLL 7.62HP/04/180 3.2SN BK BX
Order No.	1122090000
Version	PCB plug-in connector, female header, closed side, Solder connection, 7.62 mm, No. of poles: 4, 180°, Solder pin length (l): 3.2 mm, tinned, Black
GTIN (EAN)	4032248903153
Qty.	60 pc(s).
Product data	IEC: 630 V / 24 A UL: 300 V / 20 A

OMNIMATE Power - series BL/SL 7.62HP BLL 7.62HP/04/180 3.2SN BK BX

Weidmüller Interface GmbH & Co. KG
Klingenbergstraße 16
D-32758 Detmold
Germany
Fon: +49 5231 14-0
Fax: +49 5231 14-292083
www.weidmueller.com

Technische Daten

Dimensions and weights

Net weight 10 g

System parameters

Product family		Mounting onto the PCB	
OMNIMATE Power - series BL/SL 7.62HP		Solder connection	
Outgoing elbow	180°	Pitch in mm (P)	7.62 mm
Pitch in inches (P)	0.3 inch	No. of poles	4
Solder pin length (l)	3.2 mm	Pin dimensions	0.4 x 1.00 mm
Can be coded	Yes	Number of solder pins per pole	2
Solder eyelet hole diameter (D)	1.3 mm	Solder eyelet hole diameter tolerance (D)+	0,1 mm
L1 in mm	15.24 mm	L1 in inches	0.6 inch
Touch-safe protection acc. to DIN VDE 0470	IP 20	Touch-safe protection acc. to DIN VDE 57 106	Safe from finger touch

Material data

Insulating material	PA GF	Colour	Black
Insulating material group	IIla	UL 94 flammability rating	V-0
CTI	≥ 200	Contact material	Cu-Leg
Contact surface	tinned	Max. relative humidity during storage	80 %

DIN IEC rating data

Rated current, min. no. of poles (Tu=20°C)	24 A	Rated current, max. no. of poles (Tu=20°C)	24 A
Rated current, number of poles (Tu=40°C), min	24 A	Rated current, number of poles (Tu=40°C), max.	21 A
Rated voltage for surge voltage class pollution degree III/3	400 V	Rated impulse voltage for surge voltage class pollution degree III/3	6 kV
Rated voltage for surge voltage class pollution degree III/2	630 V	Rated impulse voltage for surge voltage class pollution degree III/2	6 kV
Rated voltage for surge voltage class pollution degree II/2	630 V	Rated impulse voltage for surge voltage class pollution degree II/2	4 kV
Short-time withstand current resistance	3 x 1s with 180 A		

CSA rating data

Rated voltage (Use group B)	300 V	Rated current (use group B)	20 A
Rated voltage (Use group C)	150 V	Rated current (use group C)	20 A
Rated voltage (use group D)	300 V	Rated current (use group D)	10 A

UL 1059 rating data

Rated voltage (use group B)	300 V	Rated current (use group B)	20 A
Rated voltage (use group C)	150 V	Rated current (use group C)	20 A
Rated voltage (use group D)	300 V	Rated current (use group D)	10 A

Classifications

eClass 6.2	27-26-07-04	eClass 7.1	27-44-04-02
------------	-------------	------------	-------------

Datenblatt**OMNIMATE Power - series BL/SL 7.62HP
BLL 7.62HP/04/180 3.2SN BK BX****Weidmüller Interface GmbH & Co. KG**
Klingenbergstraße 16
D-32758 Detmold
Germany
Fon: +49 5231 14-0
Fax: +49 5231 14-292083
www.weidmueller.com**Technische Daten****Notes**

- Notes
- Additional colours on request
 - Gold-plated contact surfaces on request
 - Spacing between rows: see hole layout
 - Rated current related to rated cross-section & min. No. of poles.
 - P on drawing = pitch
 - Rated data refer only to the component itself. Clearance and creepage distances to other components are to be designed in accordance with the relevant application standards.

Approvals

Approvals



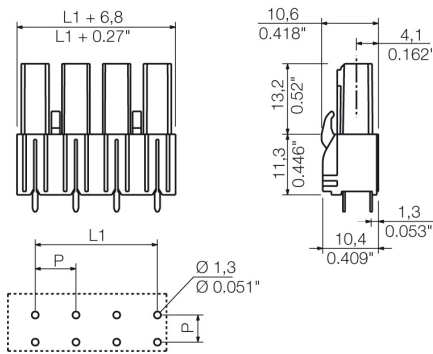
ROHS

Conform

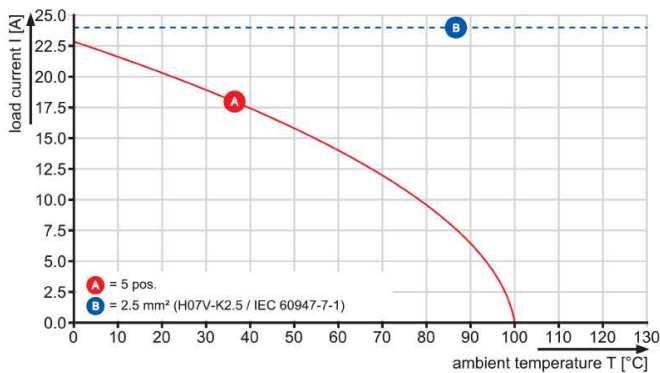
OMNIMATE Power - series BL/SL 7.62HP BLL 7.62HP/04/180 3.2SN BK BX

Weidmüller Interface GmbH & Co. KG
 Klingenbergstraße 16
 D-32758 Detmold
 Germany
 Fon: +49 5231 14-0
 Fax: +49 5231 14-292083
 www.weidmueller.com

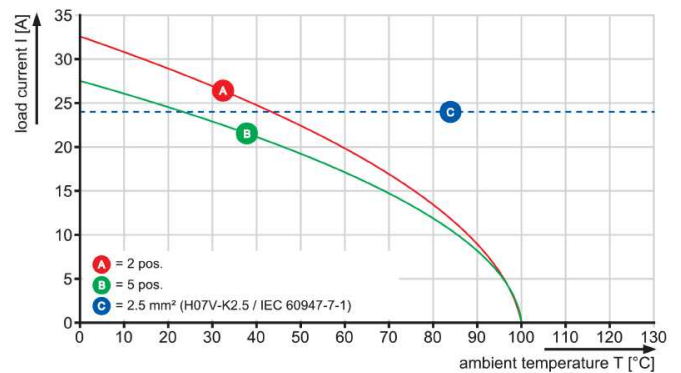
Zeichnungen



BLL 7.62HP/././90 - SLZ 7.62HP/././180



BLL 7.62HP/././90 - SLF 7.62HP/././180



BLL 7.62HP/././90 - SLZ 7.62HP/././180

