

TS8XDVDRW

Slim SATA DVD Writer Enclosure

Description

This slim, elegant high-speed portable CD/DVD writer is perfect for playing, backing up your vital data and discs. With its slim easy-to-carry size and advanced high-speed media writing capabilities, the CD/DVD Writer is ideal for playing movies, installing software, or backing up your files, folders, documents, photos, music and videos when using a compact notebook computer or netbook.

System Requirements

- Desktop or notebook / netbook computers with USB port
- One of following operating systems:

Windows® XP/Vista/7

Placement



Features

- USB 2.0 interface for high-speed data transfer
- 8x DVD±R read/write, 24x CD-R/RW read/write
- Compatible with CD-R/RW, DVD±R, DVD±RW, DVD±R DL, DVD-RAM media
- Reads and writes Dual Layer discs
- Includes CyberLink Power2Go media writing software
- USB powered –No external power adapter needed
- Elegant slim modern design with rounded edges
- Compact and easy-to-carry
- Easy Plug and Play installation
- Anti-slip rubber feet

Dimensions

Side	Millimeters	Inches
A	156.20 ± 1.00	6.142 ± 0.04
B	142.00 ± 1.00	5.59 ± 0.04
C	22.50 ± 1.00	0.89 ± 0.04

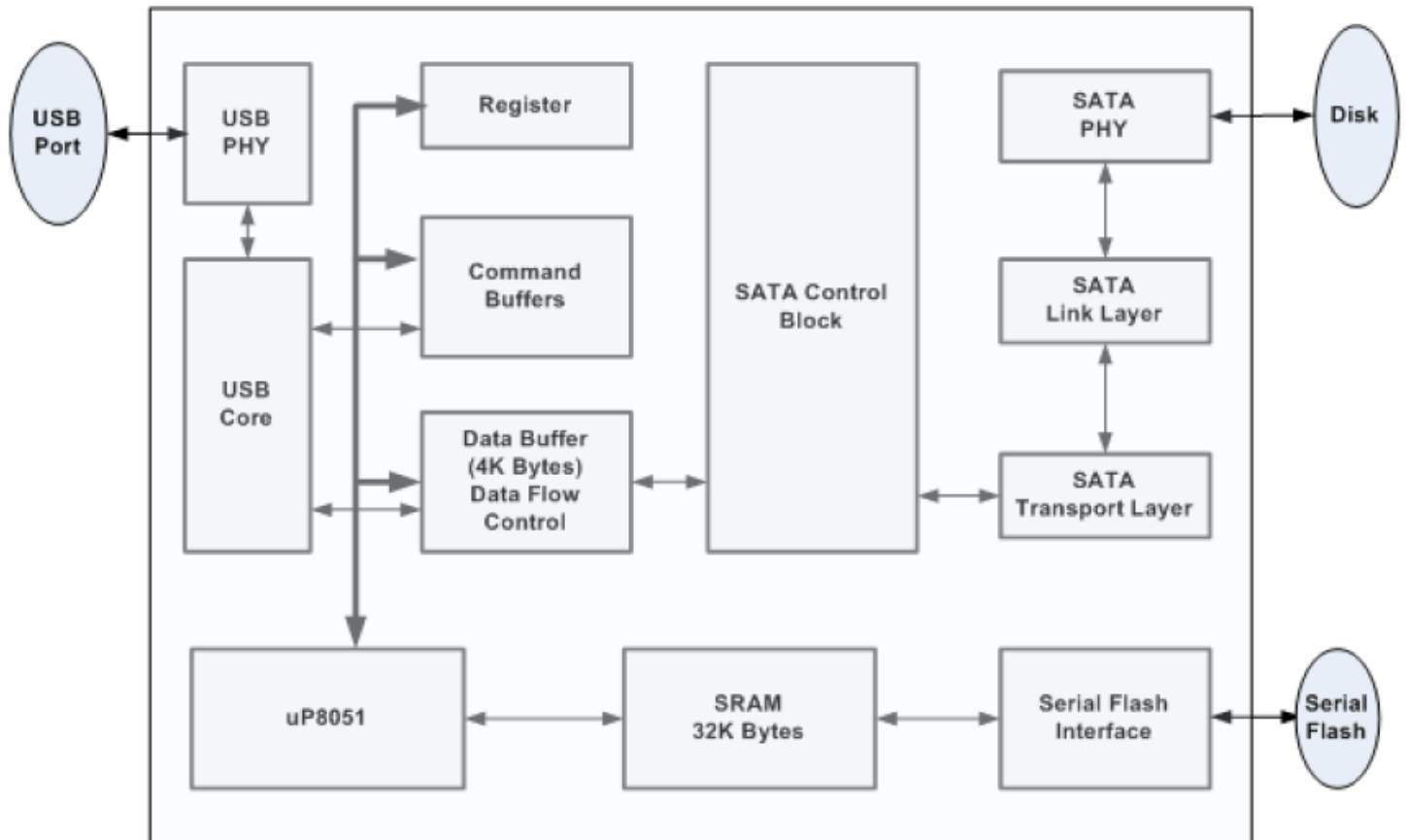
Ordering Information

Transcend P/N	DVDMaxWrite
TS8XDVDRW	8X

TS8XDVDRW

Slim SATA DVD Writer Enclosure

Block Diagram



TS8XDVDRW

Slim SATA DVD Writer Enclosure

Pinouts

Pin No.	Pin Name
01	VCC
02	USB-
03	USB+
04	VSS

Pin Identification

Symbol	Function
USB-	USB differential signal
USB+	The pairs are used to transmit Data/Address/Command
VCC	USB Cable Power Detector
VSS	Ground

Specifications

Environment		
Optical Disk Media	Slim-Type 8X DVD Writer	
Temperature	Operation	5 °C to 40 °C
	Storage	-30 °C to 60 °C
Power Supply	USB DC 5 Volt	
Read Max Speed	DVD±R: 8X	
	DVD±RW: 8X DVD±R (DL): 8X DVD ROM/Video/Audio: 8X DVD ROM/Video/Audio (DL): 8X DVD-RAM: 5X CD-ROM/R/RW/Video/Audio: 24X	
Write Max Speed	DVD±R: 8X	
	DVD+RW: 8X DVD-RW: 6X DVD±R (DL): 6X DVD-RAM: 5X CD-R/RW: 24X	
Size (L x W x H)	156.2(L) X 142.0(W) X 22.5(H) mm	
Weight	375g (Max.)	
Humidity	Storage	10% to 90% RH
Certificates	CE, FCC, BSMI	
Warranty	2 years	

TS8XDVDRW

Slim SATA DVD Writer Enclosure

System Requirement

Hardware	CPU: Intel Pentium III 800 MHz or equivalent (minimum) Intel Pentium IV 2.0 GHz or higher (recommended) Memory: 256MB or greater Hard Drive: 20GB of free space for disc writing.
Software	Operating System: Windows® XP, Windows Vista® or Windows® 7

Above technical information is based on industry standard data and tested to be reliable. However, Transcend makes no warranty, either expressed or implied, as to its accuracy and assumes no liability in connection with the use of this product. Transcend reserves the right to make changes in specifications at any time without prior notice.